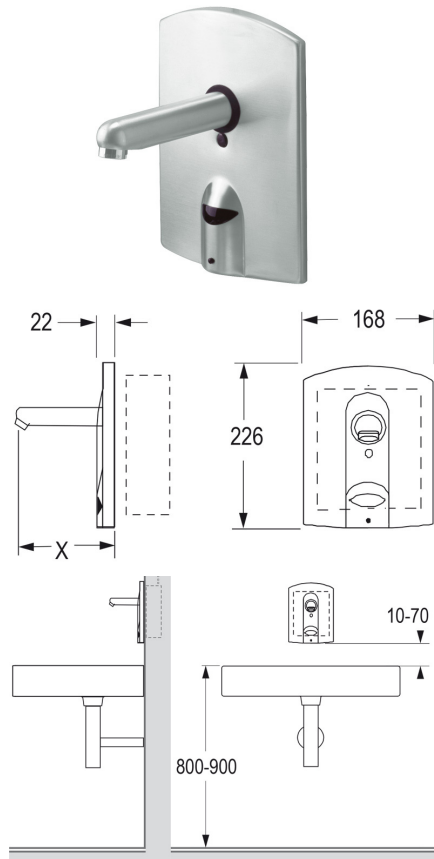


iQ A50 Concealed wall-mounted faucet, hygienic flushing, stainless steel matt, IR-sensor, Click-plus, battery, stainless-steel, no temp. mixing



iQ concealed wall-mounted faucet A50, with IR sensor, without temperature-mixing, stainless-steel - final installation set

Touchless, electronically controlled faucet for flush mounting:

- For cold water or premixed water
- Sturdy version, brushed stainless-steel front cover and spout
- Reliable solenoid valve ROBUST (minimal level of water pressure surge) and economic aerator
- Dual infrared sensors (with automatic setting feature), microprocessor
- Follow-up time and sensor sensitivity adjustable with function key
- Temporary-off (cleaning) and continuous water flow time (filling of basin) activated by Click-plus
- Continuous water flow with Click-plus adjustable
- 12, 24 or 48-hour hygienic flush activatable with function key
- Easy installation in combination with shell set U3A (not included)
- Compatible with Service APP: control of stored operational data, settings and control functions

Notice:

Service APP only available in conjunction with BLE Converter - no permanent evaluation option.

When using the Service APP, the BLE Converter must be ordered separately.

### Attributes:

Hygienic flushing: Hygienic flushing,  
 Colour: Stainless steel matt,  
 Spout (x): 170 mm,  
 Power supply: Battery,  
 Function key: Click-plus,  
 Use: IR-sensor,  
 Material: Stainless steel,  
 Mixture: No temp. mixing,

### Technical Data:

Battery: 6 V Lithium CRP2 - commercial; life time up to 4 years  
 Operating pressure: 0,3 –10 bar  
 Water temperature (max.): 80 °C

Flow rate (approx.): 6 l/min / 1,6 gpm (3 bar)  
Follow-up time: 1 s pre-set (adjustable with function key 0-10 s)  
Continuous water flow and hygienic flush time: 2 min pre-set  
(adjustable with function key 0,5-20 min)  
Temporary-off: 2 min. (fixed)  
Sensor sensitivity: Automatic self-adapting sensor technology  
Built-in filters: 0,5 mm mesh size  
Aerator: Economic aerator, CASCADE (self-cleaning)  
Spout (x): 170 mm  
Click-plus: Protruding function key Click-plus (continuous-on,  
temporary-off)  
Engineering standards: DIN EN 200; Noise category I; CE