

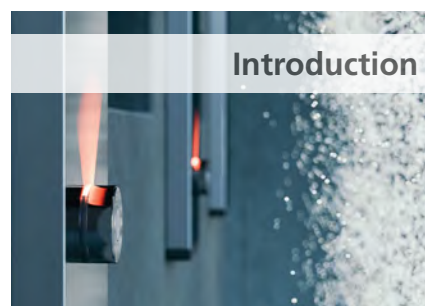
Showers & Washroom Solutions

Commercial & Public Facilities



Table of contents

CONTI+ portfolio at a glance



Introduction

CONTI+ Smart systems	1
CONTI+ values	2
Technology & Hygiene	4
Icon descriptions	8



CNX Water Management

Introduction	14
Application	16
Control centres	20
Accessories	23



Service APP

Introduction	26
BLE Converter	29



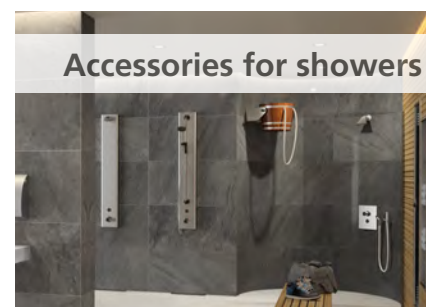
Electronic showers

Shower solutions	34
Shower panels	
CONPRIMUS	41
CONGENIAL	45
CONFRESH	61
CONSMART	65
CONBASE	72
Concealed showers	
CONGENIAL	52
CONGENIAL FIT	56
CONFLOW	68
CONBASE	74
CONBASE SLIM	76
Exposed showers	
CONBASE SLIM	78
tipolino	79
Freestanding showers	
CONFREE	80



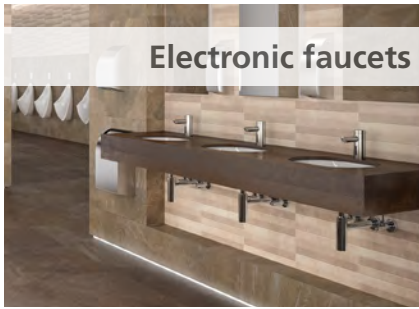
Mechanical showers

Shower solutions	34
Shower panels	
CONGENIAL Water hydraulics	92
CONGENIAL On/Off-handle	94
Concealed showers	
CONGENIAL Water hydraulics	97
CONGENIAL On/Off-handle	99
CONGENIAL FIT Water hydraulics	101
CONGENIAL FIT On/Off-handle	103
CONBASE MINI	105



Accessories for showers

Shower Accessories	
Cover extensions	108
Framing sets	110
Power supply units	115
Retrofitting sets	117
Extension sets	122
Accessories	123
Shower heads	
Rain shower heads	130
Hand shower kit	130
Jet shower heads	131
Accessories	132
Spa & Wellness	
Rain shower heads	134
Jet shower heads	138
Ball joint	138
Body spray shower head	138
Downpour shower heads	139
Shower head arms	139
Bucket downpour shower	140
Kneipp affusion kits	141
Kneipp affusion kit, concealed	143
Thermostatic mixer faucets	145



Electronic faucets

Washroom solutions	156
Washbasin faucets	
ultra	163
lino	171
lumino	178
tipolino	182
Senso	185
iQ	186
loopino	188
maxx	190
umaxx	193
Wall mounted faucets	
ultra	195
lino	196
iQ	198
CONGENIAL FIT	200
Exposed faucet	
lino	204
Multiple faucet units	
lino	209
CONGENIAL	210
Kitchen faucet	
Kitchen faucet H10	214
Faucet accessories	239



Mechanical faucets

Washroom solutions	156
Washbasin faucets	
lino SofTouch	220
CONWASH	222
Wall mounted faucets	
CONWASH	223



Sanitary equipment

SteelTec Design series	
Hand dryer	254
Paper towel dispenser	255
Dispensers soap disinfectant	256
Toilet paper holders	257
Hygiene/waste bins	259
Changing table & accessories	262
BJÖRK Design series	
Hand dryer	264
Paper towel dispenser	264
Dispensers soap disinfectant	265
Toilet paper holder	266
Hygiene/waste bins	267
Changing table & accessories	268
Table and floor stands	270
TAP Design series	
Hand dryer	272
Dispensers soap disinfectant	273
SteelTec Stainless steel	
Hand and hair dryer	274
Hygiene/Waste bins	278
Paper towel dispenser	280
Dispensers soap disinfectant	281
Washbasins	287
Wash troughs	290
Laboratory utility sinks	292



Urinal flush valves

Urinal solutions	226
Concealed Urinals	
ultra	228
iQ	229
lino	230
Siphon regulator	231
Accessories	232
Exposed Urinals	
lino	234
Retrofitting sets	235
Faucet accessories	239



Information

General terms and conditions	296
------------------------------	-----



INTRODUCTION

CONTI+ Intelligent concepts for every application area







Smart systems for a better quality of life

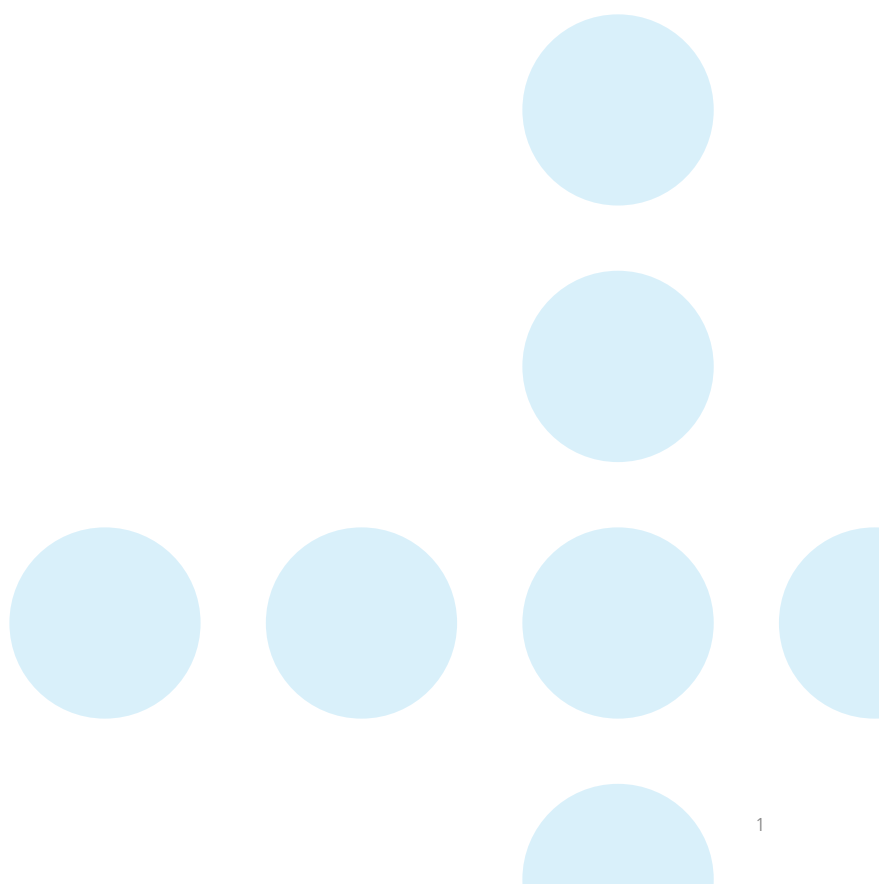
Hygienic, smart shower room and washroom concepts to improve quality of life have been the hallmark of the CONTI+ brand for 50 years. With our innovative technologies, long-standing expertise, and comprehensive range of services, we offer optimum solutions to meet all our customers' needs for new build and refurbishment projects. Impressive, flexible all-round expertise.

From advanced electronic and mechanical shower and washbasin faucets to urinal flush valves and washbasins, as well as complete washroom equipment and disinfection concepts, we take an integrated approach with a strong focus on sustainability, hygiene and reliability. Our smart innovations in the field of electronics and user interfaces ensure maximum comfort, the best possible customer benefits and consistent protection of the environment.

Discover our comprehensive, unique range of products and services for shower room and washroom solutions – designed to ensure successful projects and satisfied customers!

Your

CONTI+ Team



CONTI+

Compelling advantages



SUSTAINABLE

Water savings: Up to 80 % water saving through automatic start and stop function and flow rate limiting

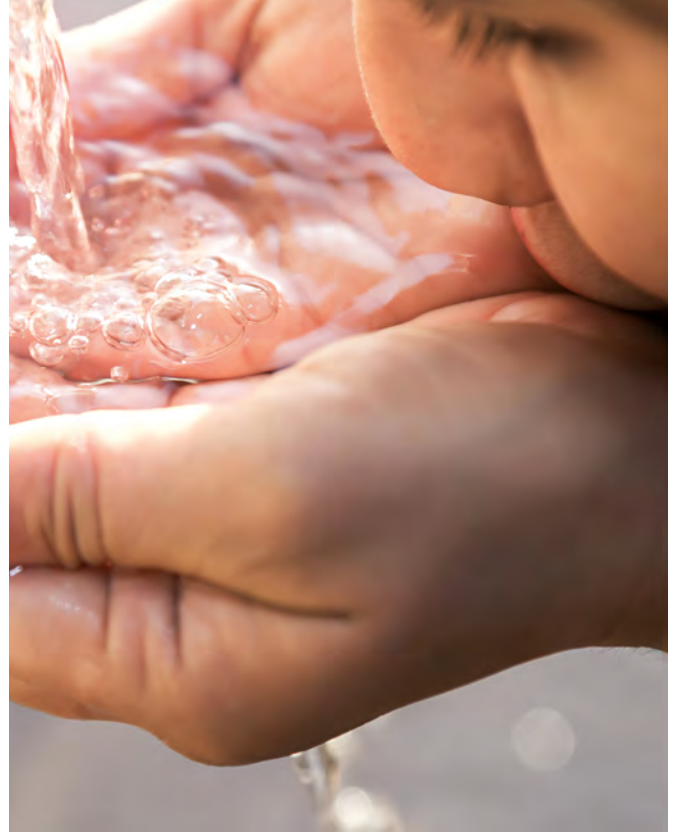
Energy savings: Extend the battery life up to 8 years through solar and water energy. Thermostatic control, energy-minimised electronics and hydraulics thanks to smart algorithms

Materials: Stainless steel without coating, low nickel/lead content, plastics (recyclable), environmentally compatible disinfectants

Cost savings: Low maintenance, lower water and energy costs, short installation times, low overall lifecycle costs

Environmentally friendly: reduced battery consumption

Environmental certificates: E.g. LEED, BREEAM



HYGIENIC

Touch-free operation: No contamination, no spread of germs, user friendly, products can be reliably integrated into the CONTI+ CNX water management system

Monitored control: Possible with CONTI+ CNX water management system and the CONTI+ Service APP

Thermal disinfection: Can be centrally controlled and logged via the CONTI+ CNX water management system – safe, reliable and documented

Sanitary rinse: Can be centrally controlled and logged via the CONTI+ CNX water management system – adjustable rinse duration and interval

CONTI+ Service APP: Direct, wireless access to every faucet which has a BLE Converter; reliable control and monitoring of hygiene measures



SAFE

Safe water quality: Approved materials, sanitary rinse, thermal disinfection, stagnation prevention

Vandal-proof: Robust materials, special design, integrated components

Functional and safe to use: Proven technology & components

Future proof: In-house customer service, reliable availability of spare parts

Quality: 100 % tested with hygienic waterless (pneumatic) test including functional test, spare parts warranty

Certificates: E.g. DVGW, WRAS, WaterMark



SMART

Innovative technology: Sophisticated infrared technology for touch-free, reliable operation, unique in-house valve technology, state of the art networking, smart algorithms and intuitive user interface

CONTI+ CNX water management system: Intelligent water management for central control and monitoring of hygiene measures

Simple installation: Quick installation and commissioning, possibility of intuitive networking with the CONTI+ CNX water management system

Uncomplicated maintenance: Easy access for servicing

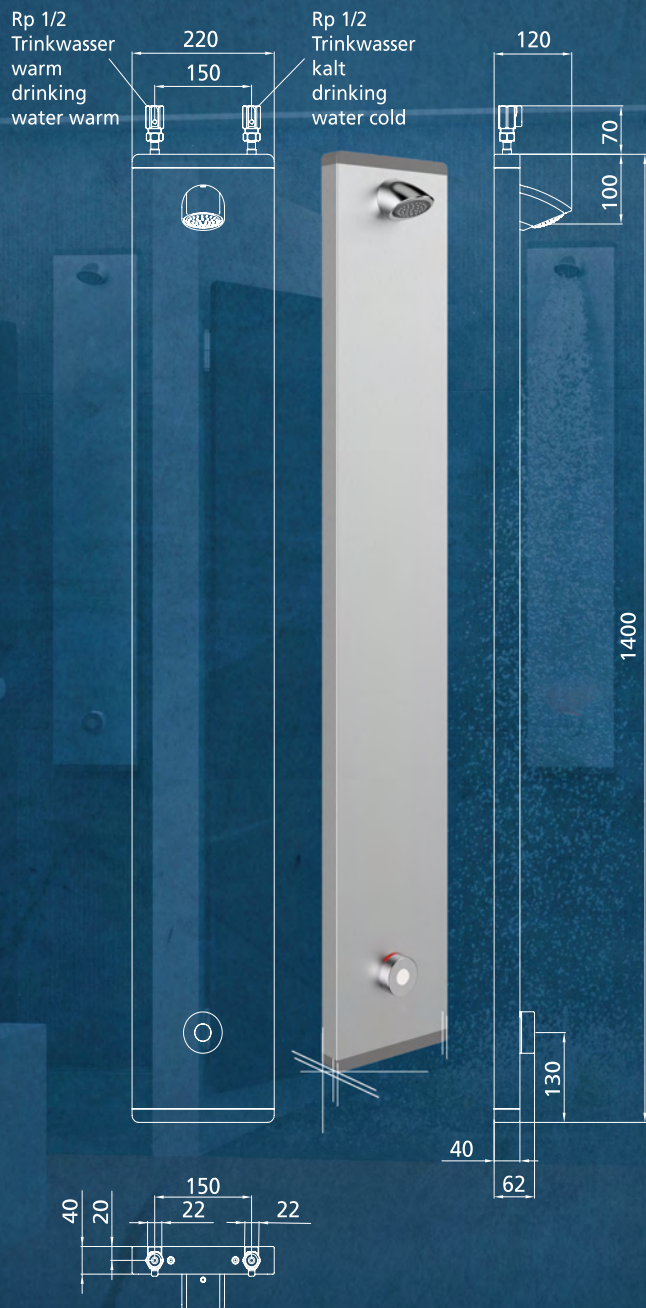
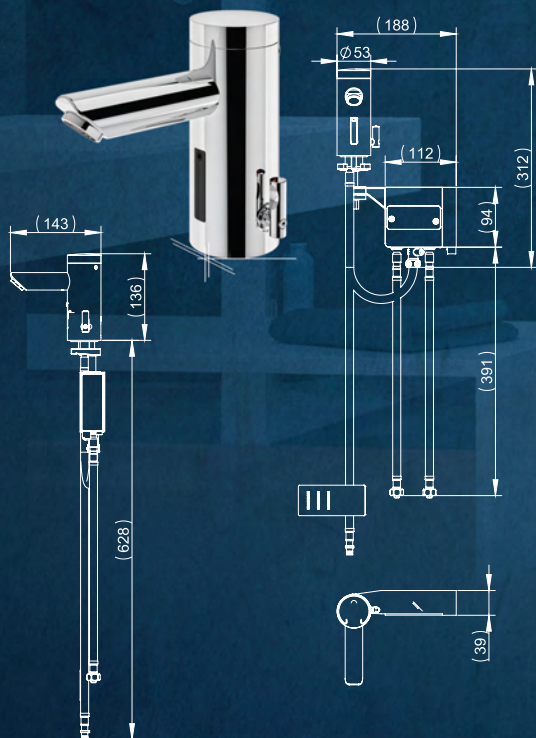
Know-how: In-house development departments in Germany, Switzerland and Austria with specially trained engineers

SHOWERS & WASHROOM SOLUTIONS

TECHNOLOGY AND HYGIENE PERFECTLY COMBINED

Unique, versatile, reliable and innovative: Our extensive range of electronic and mechanical shower and washbasin faucets, urinal flush valves, even the unique new Thermostat-E technology, all offer maximum comfort, hygiene and safety.

Our high-performance solutions open up new scope for designing contemporary, future-oriented shower and washrooms.



**THERMOSTAT-E & SMART CONTROL
COLD WATER FLUSH**

Showers: intelligent | versatile | connectable | electronic



Faucets: High quality | water saving | electronic up to manual shut-off



Wellness solutions: Shower heads | Spa & Wellness up to DN20



Kneipp affusion kits

- Kneipp affusion
- Power shower
- Concealed Kneipp kit

Special features: Decentralised water heating & more



Services solutions

- Retrofit kit
- Customised solutions
- Object & Customer Service

INDIVIDUAL AND CENTRAL MANAGEMENT OF FAUCETS

APP & CNX

CONTI+ HYGIENE CONCEPT

PREVENTIVE | PERMANENT | ACUTE

Hygiene requirements are increasing all the time, particularly in public, semi-public, commercial and industrial buildings – both nationally and internationally. We continually optimise our shower systems to meet these needs. Our comprehensive CONTI+ hygiene concept guarantees maximum safety in shower rooms and washrooms – for every application area. We consider the following innovative technologies and hygiene features in advance for our products:

CONTI+ HYGIENE FEATURES

- Materials suitable for drinking water
- Non-porous and easy-to-clean surfaces
- Touch-free operation
- Automatic contact-free closing function
- Keeping drinking water installations germ-free
- Retention of germs at tapping points
- Low-aerosol
- Easy maintenance
- Cold water flushing, electronic
- Hygienic flushing, electronic
- Thermal disinfection, electronic, manual and with additional safety via key switch
- Documented operating and hygiene functions

INDIVIDUAL SOLUTIONS

REFURBISHMENT | RENOVATION | NEW CONSTRUCTION

DRINKING WATER HYGIENE

3 PHASES FOR PREVENTION, COMPLIANCE AND REMEDIATION

- PREVENTIVE:** Consulting and support for planning, construction and maintenance.
- PERMANENT:** Efficient water management, professional maintenance and sampling.
- ACUTE:** Innovative solutions to restore hygiene after acute contamination – for safe operation, integration and monitoring of products

The CONTI+ Hygiene modules at a glance:

- Extensive product range for maintaining drinking water hygiene
- Separate thermal disinfection (manual / electronic), hygiene and cold water flushing
- Microbiological sanitation of drinking water installations
- Comprehensive water management, drinking water hygiene testing and maintenance
- Product range for measures to eliminate usage bans



Icon descriptions

Symbol descriptions and functions of the CONTI+ products at a glance

SUSTAINABLE | Resource-saving functions



Start/Stop function

Piezo switch with start/stop function and an adjustable, automatic water stop



Self-closing function

Mechanical self-closing function, adjustable water running time



Push and turn button

Electronic control unit E-control, push/turn button for mixing and start/stop function

HYGIENIC | Functions & Flushes



Touch-free function

Infrared sensor to trigger the water flow



Hygiene flush

Automatic mixed water flush of electronic faucets to prevent germ formation in stagnant water - as required via a usage-dependent interval control, a time control or a calendar function, integrated in the CNX water management system or via the Service APP



Thermal disinfection, manual

Thermal flush of faucets via a manually opened TD plug, integrated in the shower control



Cold water flush

Cold water flush of electronic shower and wash basin faucets integrated into the CNX Water Management System or via the Service APP



Thermal disinfection, electronic

Thermal flushing of the faucet via bypass solenoid valve (key switch, CNX water management)



Hygienic flush via key switch

Activation of the hygienic flush via a potential-free input with key switch

SAFE | Product Features



Scald protection

The thermostatic mixing device with scald protection ensures safety during the shower



Cleaning stop

Cleaning stop via the RC switch (interruption of the trigger function by means of magnetic reed switch, directly at the point of use) or as a calendar function via the Service APP or integrated in the CNX



Frost protection

Optional frost protection cable that provides protection against frost damage

SMART | Service functions



CONTI+ Service APP

Individual valve control of shower, washbasin and urinal valves for programming, direct function triggering, logging and reading out data



CNX Water Management System

Central faucet management to ensure the hygienic functions of showers, lavatory faucets and urinal flush valves

NOMINAL SIZE | Fixture Functions

**DN15**

Nominal size or connection dimension 1/2"

**DN20**

Nominal size or connection dimension 3/4"

SPECIAL FEATURES

**Instantaneous Water Heater HCFS**

The electronically controlled small instantaneous water heater for single washbasin taps

**Fresh water station**

Generation of warm drinking water directly in the shower panel via plate heat exchanger

TRIGGER | mechanical

**On/off handle**

Manual open and close handle (without self-closing function) with thermostatic mixing unit

**Water hydraulics**

Smooth water hydraulic self-closing function

CONNECTION OPTIONS | Power supply

**6 V/DC battery operation** (single station installation)

Battery solution for single station option. Can also be used if no electric cable has been laid despite planning

**Stand-alone option battery 6 V** (washbasin faucet)

Single place option battery solution. Service life up to four years. Batteries included in delivery.

**Mains operation** (individual & multiple installations)

Classic mains connection via a power supply unit (has to be ordered separately)

**Stand-alone option Mains operation 230/6 V/DC**

The classic power supply via a plug-in unit, included in the scope of delivery, in combination with a 230 V socket.

**Central mains supply 30 V/DC (CNX)**

Central control via CONTI+ CNX water management system with all the advantages of operation and monitoring

**Stand-alone option Mains operation 230/6 V/DC**

Concealed power supply. Power supply unit is included in the scope of delivery.

**VARIOconnect**

The multi-functional interface VARIOconnect offers a variety of connection options for power supplies and data connection

**Washbasin faucets Solar**

Battery solution (battery included). Up to eight years of battery life thanks to the optional solar module, which can also generate energy from artificial light sources.

**Washbasin faucets Turbine**

Battery solution (battery included). Up to eight years of battery life with the optional turbine: A mini power station generates electricity from the running water.



HOME

System START

SHOWER

URINAL

WASHBASIN FAUCET

1. Pool Deck 18 121 000 100
2. Shower 18 421 000 100
3. Urinal 18 521 000 100
4. Wash Basin 18 121 000 100

WATER MANAGEMENT

CONTI+ CNX Water Management System & Service APP





HOME ANLAGE

Rehe START Rehe STOP HYD START THIS START PRODUKTE

STAGE 1	STAGE 1	STAGE 2	STAGE 3	STAGE 4	
STAGE 2	STAGE 1	STAGE 2			
STAGE 3	STAGE 1	STAGE 2	STAGE 3		
STAGE 1	STAGE 1	STAGE 2	STAGE 3	STAGE 4	STAGE 5
STAGE 2	STAGE 1	STAGE 2	STAGE 3	STAGE 4	STAGE 5
STAGE 3	STAGE 1	STAGE 2	STAGE 3	STAGE 4	STAGE 5
STAGE 4	STAGE 1	STAGE 2	STAGE 3	STAGE 4	STAGE 5
STAGE 5	STAGE 1	STAGE 2	STAGE 3	STAGE 4	STAGE 5



CNX Water Management System

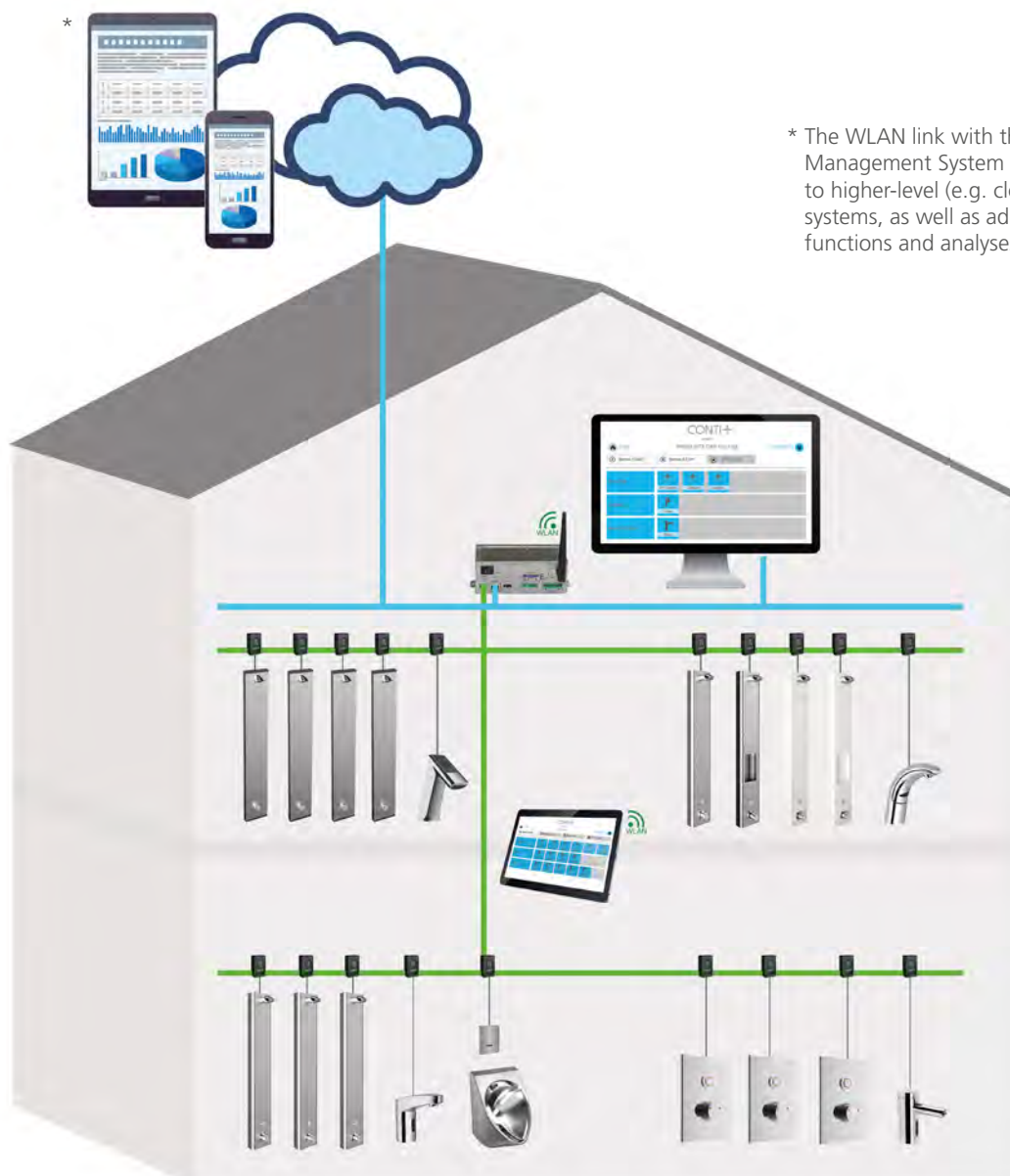
System description Application	14
Central control centre	20
Converter	23
Cable.....	23

CNX Water Management System

CNX Water Management System applications

Especially suitable for buildings that require drinking water installations offering high functionality and levels of hygiene, such as:

- Swimming pools
- Schools and sports arenas
- Army barracks
- Hotels
- Doctor's surgeries, hospitals, care and retirement homes
- Drinking water installations in the commercial sector and administrative buildings
- Sanitary facilities with specific non-standard operating requirements



* The WLAN link with the CNX Water Management System allows connection to higher-level (e.g. cloud based) systems, as well as additional functions and analyses

CONTI+ Network eXchange (CNX)

The CNX product series - new, top-of-the-range, modular and electronic. Proven CONTI+ showers, as well as lavatory faucets and urinal flush valves from the CONTI+ range, can all be linked to networks.

Intelligent technical building systems that can connect and control components of the drinking water installation are becoming ever more important.

The CNX controller enables the centralised control of up to 150 devices within a range of up to 350 metres. Via wireless operation, using the tablet included in the standard delivery, it is possible to change settings, call up status information, activate individual and group functions and access recorded data. Reports are saved in PDF format and can be printed and sent easily.

Wireless access to Water Management

The web server integrated into the CNX controller provides a user friendly overview of all networked devices in the building.

Devices that have been linked to the network can be located and controlled via a WLAN connected tablet or laptop, either individually or in groups. Current operating status, forthcoming action and notifications are all clearly visible on the display.

When online, each faucet receives updates automatically; when offline, updates can be implemented via tablet, for example. All internet-enabled devices can be operated via web browser, regardless of the operating system installed.



Advantages of CNX Water Management System:

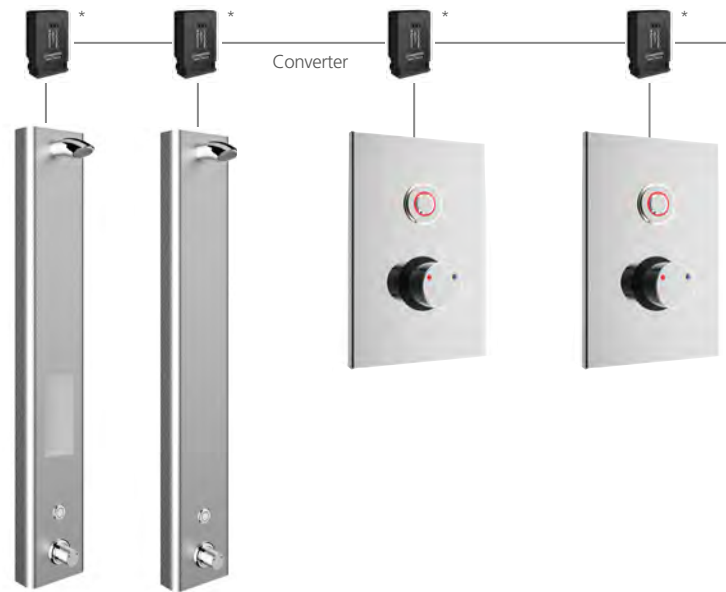
- One controller up to 150 devices
- Integration of electronic devices from the CONTI+ range
- Generous network topology (up to 350 m)
- Electrical installation – low cost, in a linear, star or tree layout
- Based on stable BUS technology
- Intuitive, straightforward web browser user interface
- Data transmission via LAN, WLAN
- Lifecycle data storage
- Reports in PDF format or CSV format, saved to SD card
- No data loss in case of power failure
- Connecting to building management systems
- Supports and ensures correct operation within the drinking water installation
- Protected against short circuit and reverse polarity
- Easy integration and installation tailored to individual requirements; user-friendly service
- Device monitor

Application example

ROOM 1

Showers

- With thermostat
- Thermal disinfection (TD) via bypass solenoid valve
- Temperature measurement and logging for thermal disinfection
- Connection to the CNX Water Management System via cable (LAN) or in further expansion wireless (WLAN)
- Cable connection via converter for power supply and data transmission

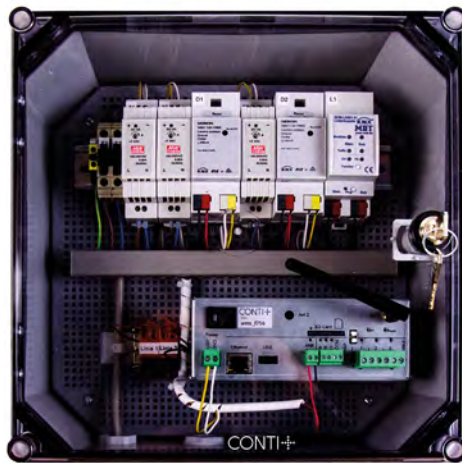


ROOM 2

Urinal flush valves and lavatory faucets

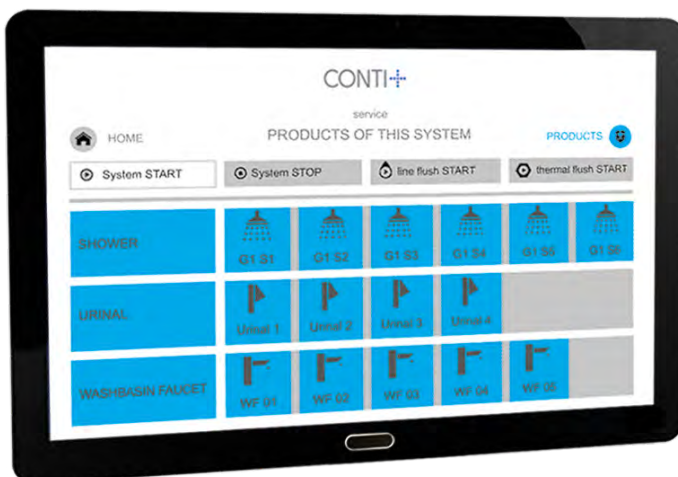
- With IR sensor
- Action log (e.g. for hygienic flush)
- Connection to the CNX Water Management System via cable (LAN) or in further expansion wireless (WLAN)
- Cable connection via converter for power supply and data transmission





Central control unit CNX 64 or CNX 150

- Control and data recording
- Device and data management
- Service and management functions
- Web server for browser display (tablet, smartphone, PC, Laptop ...)
- Depending on selected model up to 64 or 150 devices
- SD card slot for data backup
- 6x I/O Ports
- USB for Service Wireless Adapter
- Internet connection via LAN (for remote maintenance and software updates)
- Power supply
- Optional connection key switch



Software control and operating unit

- Operating unit: tablet or smartphone, laptop, PC (not included in delivery)
- Display of the control panel via web browser
- Intuitive, modern smartphone menu navigation and operation of all functions (see system description)

Simple, fast and secure

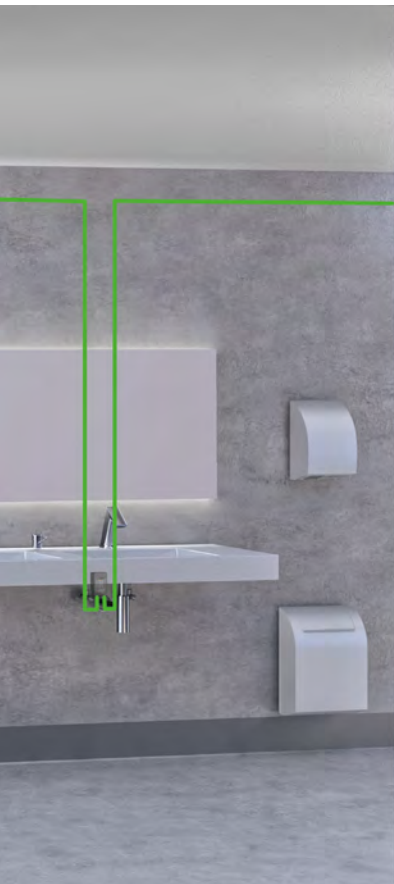


Topology

The topology offers easy networking for all devices: individually in a linear-, star- or tree layout. Neither terminators nor special bus cables are required. The standard cables, piped in empty conduits or flush-mounted, are quickly connected to the waterproof single-wire terminals. Additional shielding of cable is not required.



Note: Topology not for CONPRIMUS



What is undoubtedly essential, however, is that the correct temperature, water replacement and flow rate are provided and maintained. These interacting parameters are regarded as the ones which have the most significant effect on the hygiene quality of drinking water at a microbiological level, according to generally accepted local engineering standards. The CNX Water Management System actively influences these parameters.

Hygienic flush

While hygiene is an important issue, centralised control is a must. The settings for flush duration, interval and water follow-up time for every tap installed in the system can be set via a mobile device or PC thanks to the CNX system.



Thermal disinfection

Safety is the buzzword for thermal disinfection. As a result, the system only permits the thermal flushing procedure to be triggered at defined times that can be controlled via the tablet, in line with the technical standards. The complete process is monitored, recorded and can be printed.



...

CNX Control unit 30V DC

Faucet management

Devices can be added, reassigned within groups or moved thanks to a clearly structured menu. An overview of parameters set for each faucet can be viewed on the tablet.



CNX control centre

for max. 150 or 64 faucets

Mains connection and controller for a maximum of 150 CONTI+ CNX faucets, with integrated web server, user login via internet/browser. Data transfer via LAN and WLAN, fully wired, power cord with safety plug, suitable for wall mounting. Large-scale, variable network topology of up to 350 m in a flexible linear, star or tree layout.

- Integrate, manage, operate, query, adjust and monitor the whole system, faucet groups or individual faucets
- Export function for system and status logs
- Water running time: setting option for standard mode, sanitary rinse and thermal disinfection
- Sanitary rinse: selection, setting and combination options (manual, depending on use and calendar)
- Thermal disinfection: automatic, variable execution according to
- DVGW W 551, temperature logging in PDF format with optional temperature sensors
- Cleaning switch-off: manual or optionally via external contact
- System notifications and error messages saved in PDF format
- Power supply unit: approved in accordance with EN 60950-1 / VDE 0805-1, EN 61000-4-2,3,4,5,6,8,11, EN 61000-3-2,-3

Includes:

- Plastic housing with door, RAL 7035
 - CNX controller with proprietary, robust BUS system, LAN connection and WLAN antenna, SD card for lifetime data backup
- Potential-free inputs for:
- Starting thermal rinse for disinfection (TD)
 - Deactivating shower operation
 - Acknowledging collective fault messages
- Relay outputs for:
- Collective fault message
 - Thermal rinse successful
 - Thermal rinse active

Technical data

Input voltage:	230 V / 50 Hz
Output voltage:	26–28 V/DC
Power consumption:	2 A
Power consumption (max.):	0.1 kW
Communication:	1x USB, 1x Ethernet, Webserver for a Webclient
Protection class:	I
IP protection:	IP65
Dimensions (WxHxD):	300x300x160 mm

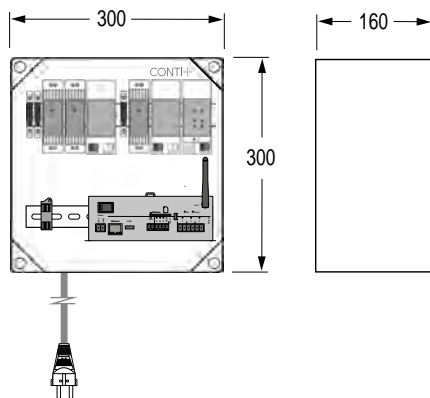
Wiring must be carried out by a qualified electrician according to DIN VDE 105-100.



Note:

Control centres equipped with fused plug, use an adapter if necessary.

Control centre CNX 150



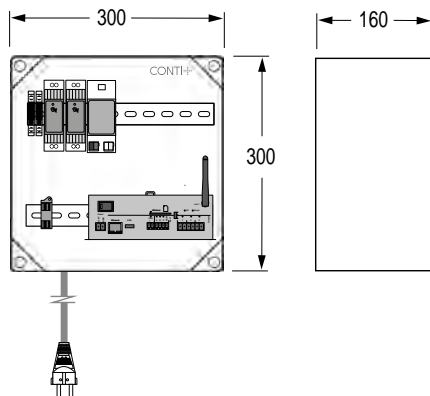
Mains connection and controller for a maximum of 150 CNX faucets

Description	Design	Order number
Control centre 150	up to 150 faucets	CONO150000

Required accessories

	Order number
J-Y(St)Y cable, 2x2x0.8 mm	CONO220000
CNX commissioning (150 faucets)	on request

Control centre 64



Mains connection and controller for a maximum of 64 CNX faucets

Description	Design	Order number
Control centre 64	up to 64 faucets	CONO140000

Required accessories

	Order number
J-Y(St)Y cable, 2x2x0.8 mm	CONO220000
CNX commissioning (64 faucets)	on request

A hand holding a pen is positioned over a laptop keyboard. The scene is overlaid with a futuristic digital interface consisting of concentric circles, lines, and data points. The overall color palette is blue and white, with a focus on technology and precision. The background is slightly blurred, showing the laptop and the hand in a professional setting.

CNX

01

CNX Converter



CNX Converter 6 V

For integrating CONTI+ faucets (**not** CONPRIMUS or lino PRIMUS L40 washbasin faucet) into the CNX water management system using quick connectors (included in the standard delivery), power cord, plug; input signal converted from 30 V to 6 V.

Connection voltage: 30 V/DC
 Power consumption (approx.): 1.7 mA
 IP protection: IP68

Description	Order number
① CNX Converter 6 V	CONO210000
② CNX Converter 6 V incl. concealed sockets for masonry and drywall	CONO214641
③ CNX Converter 6 V incl. concealed sockets and 3 m power cord – for lino WV10/WV20 concealed wall mounted faucets for masonry and drywall	CONO215329



CNX Converter 12 V

For integrating the CONTI+ lino PRIMUS L40 washbasin faucet into the CNX water management system using waterproof quick connectors (included in the standard delivery), 1 m power cord, plug; input signal converted from 30/24 V to 12 V.

Connection voltage: 30/24 V/DC
 Power consumption (approx.): 1.7 mA
 IP protection: IP68

Description	Order number
② CNX Converter 12 V incl. concealed sockets for masonry and drywall	CONO211012



J-Y(St)Y cable, 2x2x0.8 mm



For electrical wiring of CONTI+ showers, lavatory faucets and urinal flush valves

Outside coat: PVC, grey, shielding by foil
 Outer diameter: 7 mm
 Temperature range: -30 °C to 70 °C

Description	Packing unit	Order number
J-Y(St)Y cable, 2x2x0.8 mm	100 m	CONO220000



10:10

OVERVIEW

CONTI

100%



100 %

BATTERY STATUS

1247 Days

TIME OF OPERATION

8705

NUMBER OF ACTIVATIONS

190 min

TOTAL WATER RUNTIME

570 l

ACCUMULATED WATER USAGE

WATER START / STOP

SH Frankfurt
LOCATION 1

Hall 4.0, Stand B45
LOCATION 2

Washbasin left
LOCATION 3

2.5.3

HARDWARE VERSION

2.1

SOFTWARE VERSION

3267843

SERIAL NUMBER

0169

PARAMETER SET

1.5 l/min
CONFIRM FLOW





Service APP

System description Application	26
BLE Converter for Service APP	29

CONTI+ Service APP

Intuitive APP based control of individual faucets

Both new and existing drinking water installations need to meet numerous hygiene requirements – in Germany, for example, the German Drinking Water Ordinance (TrinkwV) 2018. With our CONTI+ Service APP, we offer an effective means to extend the necessary programming, logging and documentation of the required hygiene measures to the control units of the individual faucets.

The Service APP allows convenient management of CONTI+ shower panels, concealed showers, washbasin and urinal faucets. Thanks to the user friendly and intuitive interface, faucets can be identified and selected for very straightforward management, programming and data readings.

The APP guides users systematically and logically through all menu items and

features so that they can program sanitary rinses, check and set water running times, optimise sensor ranges, save settings and usage data, and more. Used in conjunction with the BLE Converter, secure communication is established via Bluetooth® between the faucet and the required device (e.g. smartphone or tablet). All this can be done wirelessly, easily, intelligently and securely.

FEATURES



Bluetooth®

Wireless communication between Service APP and faucets via the BLE Converter



Intuitive operation

License management feature, software interface, analyses



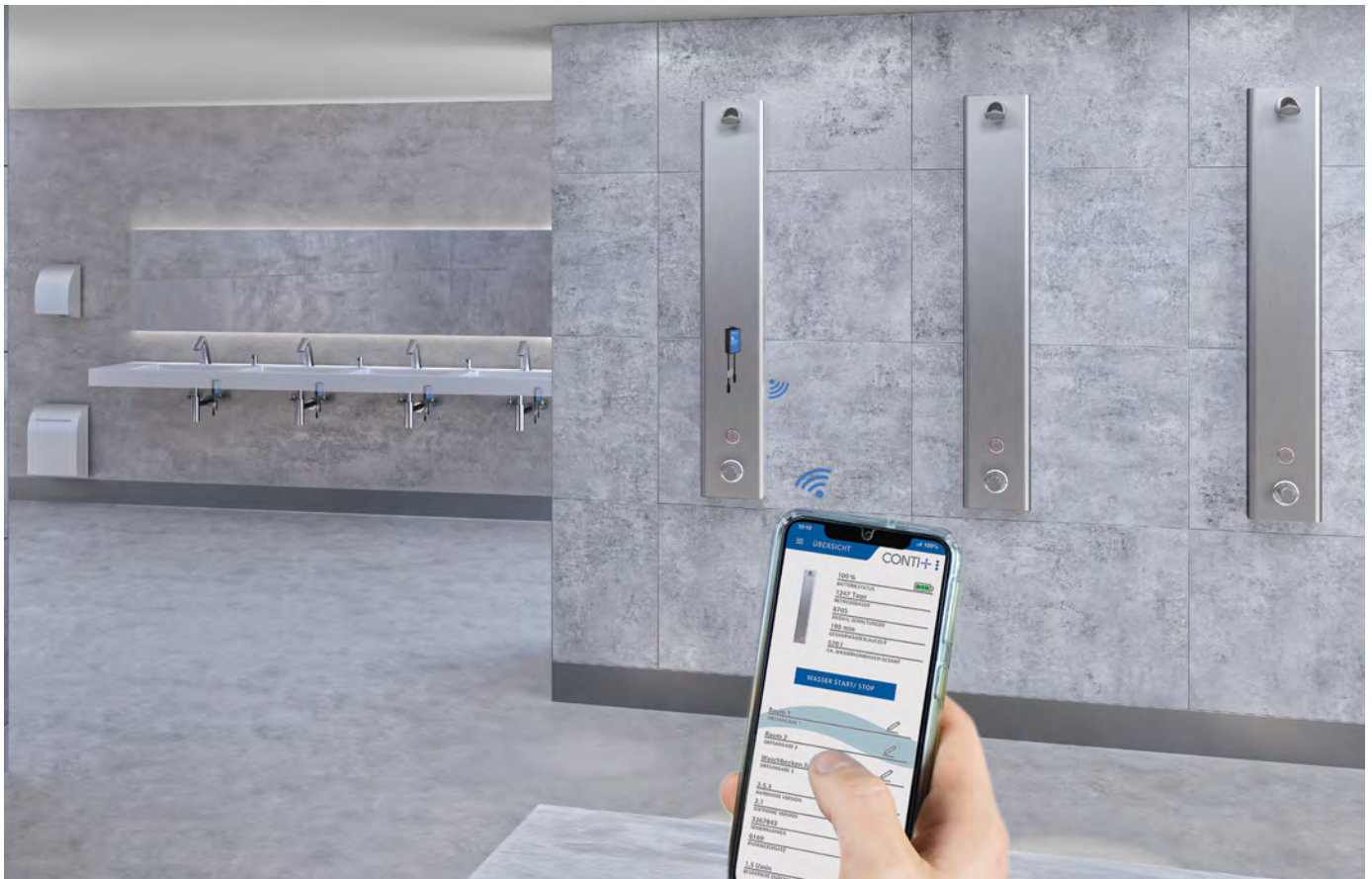
Extensive services

Programming, logging and maintenance

INSTALLATION

The CONTI+ BLE Converter is installed between the electronics and the power supply for each fitting – simply and without any tools.





FUNCTIONS

Display and analysis for each faucet:

- Battery status (for ultra only)
- Hours of operation
- Number of times used
- Water consumption
- Number of sanitary rinses
- Maximum water temperature (only in special cases)

Parameter settings for each faucet:

- Water running time & run-on time
- "Continuous on" (filling mode) & "temporary off" (cleaning stop) functions
- Rinse mode & runtime
- Restart delay
- Sensor range levels
- Installation location information
- Time-controlled sanitary rinse (real-time clock)
- Demand-dependent sanitary rinse triggered at intervals
- Maximum water running time (safety switch-off)
- Cold water rinse (only for CONPRIMUS and lino PRIMUS L40 upright faucet)
- Water consumption calculation information
- Password protection can be enabled






10:10

OVERVIEW

CONTI



100 %
 BATTERY STATUS 
 1247 Days
 TIME OF OPERATION
 8705
 NUMBER OF ACTIVATIONS
 190 min
 TOTAL WATER RUNTIME
 570 l
 ACCUMULATED WATER USAGE

WATER START/ STOP

ISH Frankfurt
LOCATION 1

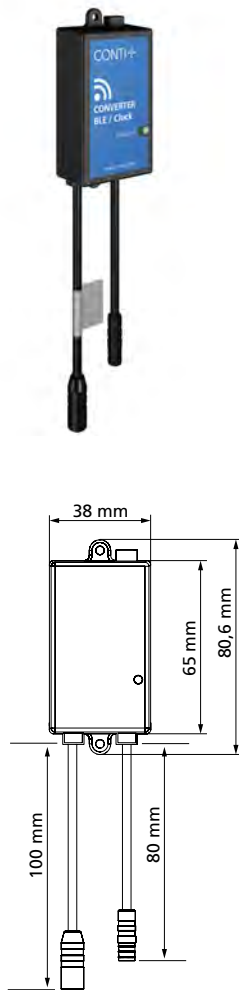
Hall 4.0, Stand B45
LOCATION 2

Washbasin left
LOCATION 3

2.5.3
 HARDWARE VERSION
 2.1
 SOFTWARE VERSION
 3267843
 SERIAL NUMBER
 0169
 PARAMETER SET

1.5 l/min
CONFIRM FLOW RATE

BLE Converter for Service APP



For establishing the Bluetooth® connection between CONTI+ faucets and a mobile control unit such as a smartphone or tablet. Smart faucet communication via the CONTI+ Service APP.

Display and analysis for each faucet:

- Battery status (for ultra only)
- Hours of operation
- Number of times used
- Water consumption
- Number of sanitary rinses
- Maximum water temperature (only in special cases)

Parameter settings for each faucet:

- Water running time & run-on time
- "Continuous on" (filling mode) and "temporary off" (cleaning stop) functions
- Rinse mode & runtime
- Restart delay
- Sensor range levels
- Installation location information
- Time-controlled sanitary rinse (real-time clock)
- Demand-dependent sanitary rinse triggered at intervals
- Maximum water running time (safety switch-off)
- Cold water rinse (only for CONPRIMUS and lino PRIMUS L40 washbasin faucet)
- Water consumption calculation information
- Password protection can be enabled

Technical data

Bluetooth® low energy
 Connection voltage: 6 – 12 V/DC
 IP protection: IP68

Description	Colour	Order number
BLE Converter 2. Generation	Black	CONO270000

CONTI+ Service APP for mobile Android or iOS terminal devices



Download from the Play Store or App Store

Used in conjunction with the CONTI+ BLE Converter, secure communication is established via Bluetooth® between the faucet and the control device (e.g. smartphone or tablet). Thanks to the user friendly and intuitive app interface, faucets can be identified and selected for very straightforward management, programming and data readings. The app software guides users systematically and logically through all menu items and features – wirelessly, easily and intelligently.

The CONTI+ Service APP (Android and iOS) is available in German and English and is compatible with all CONTI+ products (washbasin faucets equipped with power cable, mains and VARIOconnect versions) in the current pricelist manufactured from 2018 onwards.



SHOWER SOLUTIONS

Refreshing systems for every room and situation







Electronic showers

Shower room solutions at a glance	34
Functional options	36
Connecting options	38

Shower panels

CONPRIMUS	41
CONGENIAL.....	45
CONFRESH Fresh water station	61
CONSMART	65
CONBASE	72

Concealed showers - final assembly kits

CONGENIAL.....	52
CONGENIAL FIT	56
CONFLOW	68
CONBASE	74
CONBASE SLIM.....	76

Exposed shower faucets

CONBASE SLIM.....	78
tipolino	79

Freestanding showers

CONFREE straight curved	80
CONFREE straight curved accessories.....	83
CONFREE pipe design	84
CONFREE pipe design accessories.....	85

Accessories

Shower accessories	107
--------------------------	-----

Shower room solutions

CONTI+ showers at a glance

Showers
electronic



Shower series CONPRIMUS

- Advanced shower panel depth 4 cm
- Electronic / DN15
- E-Control: start/stop function
- Thermostat-E: fully electronic mixer
- Minimal water column (patented)
- Separate sanitary rinses
- Stainless steel



Shower series CONGENIAL

- Shower panels & showers, concealed
- Electronic/mechanical/DN15
- Piezo push button/ water hydraulics/on-off handle
- CONGENIAL water path
- Fixed copper pipework to shower outlet
- Stainless steel/acrylic composite/ chrome plated stainless steel



Shower series CONFRESH

- Shower panels with integrated fresh water module
- Electronic/DN15
- Piezo push button
- Plate heat exchanger
- CONGENIAL water path
- Stainless steel



Shower series CONFLOW

- Concealed showers
- Electronic, DN20
- Piezo push button
- CONFLOW water path
- With/without thermostat
- Fully assembled kit
- Stainless steel



Shower series CONBASE

- Concealed showers
- Electronic, DN15
- Piezo push button
- CONBASE water path
- Without thermostat
- Fully assembled kit
- Stainless steel



CONTI+ CONBASE SLIM

- Concealed showers
- Electronic, DN15 or DN20
- Piezo push button
- CONBASE water path
- Without thermostat
- Fully assembled kit
- Chrome plated brass



Shower series CONSMART

- Shower panels
- Electronic/DN15
- Piezo push button
- CONSMART water path
- Flexible hoses
- Stainless steel/acrylic composite



Shower series CONFREE

- Freestanding showers
- Electronic/DN15
- Piezo push button
- CONFREE water path
- Outdoor use
- Stainless steel



Shower system CONBASE (SLIM)

- Shower panels & showers, exposed
- Electronic/DN15
- Piezo push button
- CONBASE water path
- 6 V/DC ROBUST solenoid valve
- Brushed stainless steel



Shower series tipolino

- Exposed showers
- Electronic, DN15
- Start/stop function
- With thermostat
- Outlet at the top or bottom
- Chrome plated

Functional options

CONTI+ electronic shower solutions: compact summary

(Not all functions can be combined)

Showers
electronic

FUNCTIONAL FEATURES								
Shower solutions	Nominal diameter		Water flow triggering function			Resource saving functions		Servicing functions
	DN15	DN20	Automatic shut-off, electronic	Automatic shut-off, mechanical	Mechanical	Paid water delivery	Adjustable water running time	Cleaning stop/ operation stop (CNX)
			Piezo push button	Water hydraulics	On/off handle			
SHOWER PANELS								
CONPRIMUS	•		•				•	•
CONGENIAL	•		•				•	•
	•			•			•	
CONFRESH	•		•				•	
CONSMART	•		•				•	✚
CONBASE	•		•				•	
CONCEALED SHOWERS								
CONGENIAL	•		•				•	•
	•			•			•	
	•				•			
CONGENIAL FIT	•		•				•	•
	•			•			•	
	•				•			
CONFLOW		•	•				•	
		•	•				•	
CONBASE	•		•				•	
CONBASE SLIM	•		•				•	
		•	•				•	
CONBASE MINI	•			•			•	
		•		•			•	
EXPOSED SHOWERS								
CONBASE SLIM	•		•				•	
tipolino	•		•				•	

Hygiene and safety functions								
Cold water rinse and cold water monitoring	Thermostat with anti-scalding protection	Sanitary rinse	External sanitary rinse via key-switch	Manual thermal sanitary rinse (thermal disinfection)	Electronic thermal sanitary rinse via key-switch (thermal disinfection)	Electronic thermal sanitary rinse CNX (thermal disinfection)	Service APP	CNX WMS
•	•	•			•	•	•	•
	•	•	•	•	•	•	•	•
	•			•	o		•	
	•			•	o		•	
	•	•	•				•	•
	•	•	✚	✚	✚	✚	✚	✚
		•						
	•	•	•	•	•	•	•	•
	•			•	o		•	
	•			•	o		•	
	•	•	•	•	•	•	•	•
	•			•	o		•	
	•	•			•	•	•	•
		•					•	•
		•					•	•
		•					•	•
							•	
							•	
		•					•	•
	•	•						

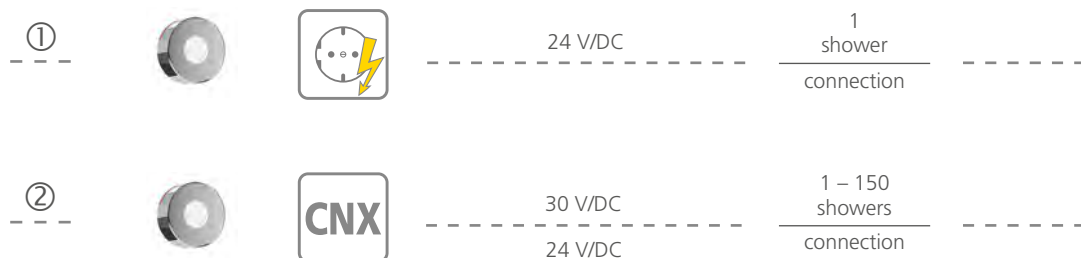
• = Standard function | o = optional function | ✚ = retrofittable

Reliable & innovative

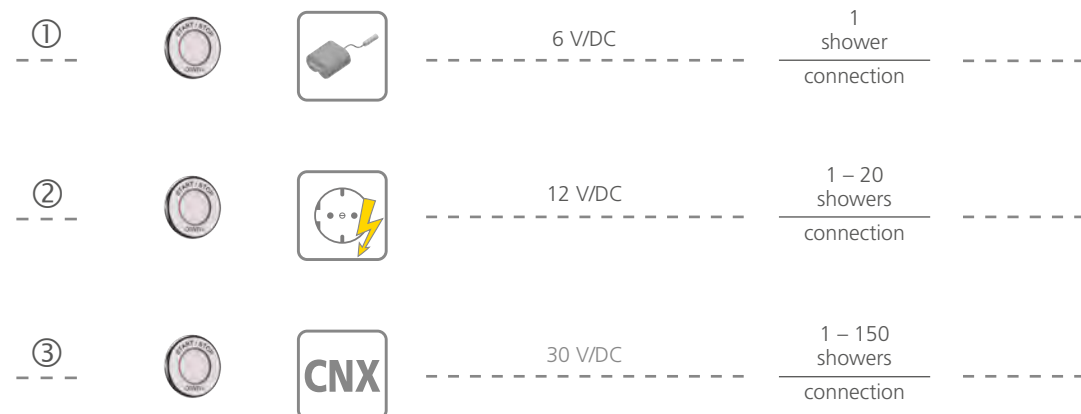
Electronic showers – customised systems

Showers
electronic

CONTI+ CONPRIMUS



CONTI+ CONGENIAL and CONSMART



24 V/DC mains supply (individual & multiple installations)
Classic mains connection via a power supply unit

①



Power supply unit
(CONO513000)
Mains connection to
CONPRIMUS showers

30/24 V/DC V/DC central power supply & control unit
(CNX) Central control via the CONTI+ CNX water
management system with all its operational and
monitoring benefits

②



CNX control centre
Mains connection and
central control
(1 Power supply unit
for max. 10 showers
CONPRIMUS)

6 V/DC battery operation (single station installation) | ①
Battery solution for single station option. Can be used when
no electric cable is available

12 V/DC mains operation
(individual & multiple installations) | ②
Classic mains connection via a power supply unit

②



Power supply unit
(CONO511000 and/or
CONO512000)
Mains connection
to showers

30 V/DC central power supply (CNX) | ③
Central control via the CONTI+ CNX water management
system with all operational and monitoring benefits

③



CNX control centre
Mains connection and
central control

Water path CONPRIMUS

Intelligent electronics with added value

Showers
electronic

CONTI+ CONPRIMUS – The next generation of shower rooms

The CONPRIMUS shower series combines technology, safety, hygiene and design perfectly – a new era in hygiene flushing. The system impresses with its intelligent patented design and many innovative functions. The electronically controlled "Thermostat-E" mixing unit is positioned exactly at the height of the shower head - reducing the column, where standing water could collect, to almost zero. In addition, the hot and cold water lines can be rinsed separately. Microbiological contamination of shower water can therefore be almost completely avoided.

Temperature sensor ●
for monitoring all temperatures

Variable types of connection
With flexible hoses from
above or behind

Water path
(patent pending)
Mixing chamber directly
on the shower head,
therefore minimal
water column

Alternative
water outflow
for hand shower

Installation/maintenance
Mark indicating installation
height, large maintenance area

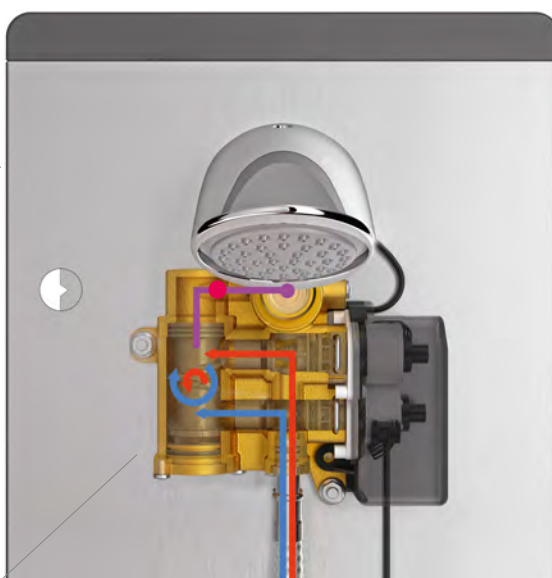
Material
Compliant with drinking
water standards

Thermostat-E
Fully electronic mixer (dead
space free) allows separate
cold water rinse, sanitary
rinse with selectable target
temperature and thermal
disinfection with hot water

Electronic
anti-scalding protection
regulated by integral
temperature sensor

Hot and cold water connections
Plug-in connections with fuse

Servomotors
for temperature
by volume flow



Type options

- CONPRIMUS for Service App or for CNX Integration
- Shower panel stainless steel or RAL Classic colours
- For fixed shower head or hand shower kit
- Cover extension available



CONTI+ CONPRIMUS

Shower panel, Thermostat-E, E-Control, DN15

Shower panel with electronically controlled mixer, including anti-scald protection for wall mounting. For connection to cold and hot water. For new build and refurbishment projects in public, semi-public and commercial washrooms.

- Prefitted Thermostat-E electronic mixer
- Mixer proportional valve at shower head height
- Electronic anti-scald protection
- E-control electronic control unit, rotary knob/push button for mixed water and start/stop function
- Temperature setting with LED display
- Non-linear temperature adjustment
- Adjustable shower start temperature
- The length of time for which the temperature is stored after the shower has stopped can be adjusted
- Prefitted with plug-in connection for shower heads or hand shower pre-assembled as delivered
- Electronic sanitary rinse
- Electronic cold water rinse
- Electronic thermal disinfection via CNX
- Integration into the CNX water management system possible
- Can be controlled via the Service APP
- Components for connection from above or behind included in the standard delivery
- Fixing hardware included

Technical data

Connection voltage (mains, multiple installation):	24 V/DC
Connection voltage (CNX):	30 V/DC, additional 24 V/DC
Operating pressure:	2.5–5.0 bar
Water temperature in standard mode (max.):	70 °C
Water temperature for thermal disinfection:	briefly for thermal disinfection, 80 °C
Flow rate DN15:	0.15 l/s (flow rate control)
Flow rate for thermal disinfection DN15:	0.05 l/s
Water running time setting range:	3–180 s
Water running time factory setting:	30 s
Sanitary rinse setting range:	Disabled at the factory; can be set to 24, 48 or 72 h via piezo push button or CNX
Preset temperatures:	Standby temperature on activation of the piezo push button 38 °C (adjustable from 100 % cold to max. 43 °C (temperature range) by turning the E-Control element). If the cold water pipe fails, the water flow is stopped when it reaches 48 °C (factory setting – adjustable via CNX; observe maximum water temperature)
Memory temperature setting:	After the shower time has ended (or the shower has been stopped by pressing the piezo push button again), the set temperature is saved for 30 s
Electronic IP protection:	IP68
Dimensions (WxHxD):	220x1400x40 mm

CONPRIMUS shower panel, RAL Classic colours

Showers
electronic



for shower head mounting



Type: mains | 24 V/DC individual and multiple installation 

Functions	Order number
Sanitary rinse Cold water rinse Electronic anti-scald protection Cleaning stop	CONE1171219580



Type: CNX | 30 V/DC, also 24 V/DC

Functions	Order number
Sanitary rinse Cold water rinse Thermal disinfection via CNX Electronic anti-scald protection Cleaning stop	CONE1171219568

for hand shower kit



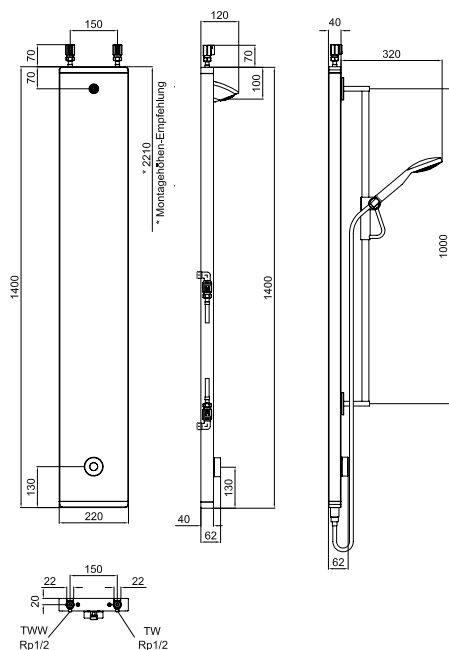
Type: mains | 24 V/DC individual and multiple installation 

Functions	Order number
Sanitary rinse Cold water rinse Electronic anti-scald protection Cleaning stop	CONE1271219580



Type: CNX | 30 V/DC, also 24 V/DC

Functions	Order number
Sanitary rinse Cold water rinse Thermal disinfection via CNX Electronic anti-scald protection Cleaning stop	CONE1271219568



Required accessories	Order number
CONHEAD rain shower head SHORTY	CONO030010
CONHEAD hand shower kit	CONO040010
Power supply unit for max. 10 shower panels	CONO513000
Power supply unit alternative	CONO582000
CNX control centre	see CNX
J-Y(St)Y cable, 2x2x0.8 mm	CONO220000
Optional accessories	Order number
CONPRIMUS RAL Classic precise-fit cover extension	CONO663000

Shower head or hand shower kit must be ordered separately, illustrated example with CONHEAD rain shower head RAIN2.

CONPRIMUS shower panel, stainless steel



for shower head mounting



Type: mains | 24 V/DC individual and multiple installation 

Functions	Order number
Sanitary rinse Cold water rinse Electronic anti-scald protection Cleaning stop	CONE1111219580



Type: CNX | 30 V/DC, also 24 V/DC

Functions	Order number
Sanitary rinse Cold water rinse Thermal disinfection via CNX Electronic anti-scald protection Cleaning stop	CONE1111219568

for hand shower kit



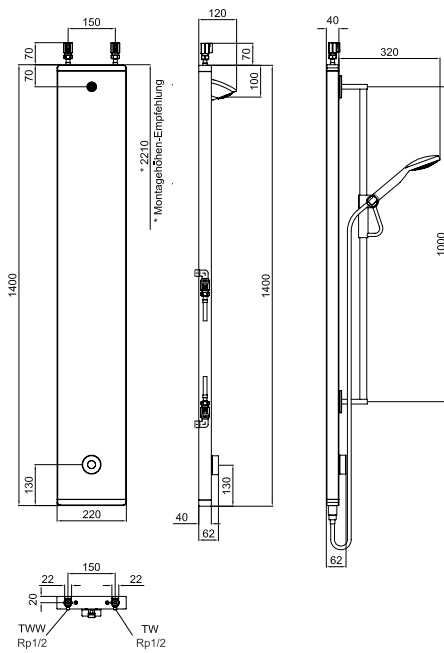
Type: mains | 24 V/DC individual and multiple installation 

Functions	Order number
Sanitary rinse Cold water rinse Electronic anti-scald protection Cleaning stop	CONE1211219580



Type: CNX | 30 V/DC, also 24 V/DC

Functions	Order number
Sanitary rinse Cold water rinse Thermal disinfection via CNX Electronic anti-scald protection Cleaning stop	CONE1211219568



Required accessories	Order number
CONHEAD rain shower head SHORTY	CONO030010
CONHEAD hand shower kit	CONO040010
Power supply unit for max. 10 shower panels	CONO513000
Power supply unit alternative	CONO582000
CNX control centre	see CNX
J-Y(St)Y cable, 2x2x0.8 mm	CONO220000
Optional accessories	Order number
CONPRIMUS stainless steel precise-fit cover extension	CONO662000

Shower head or hand shower kit must be ordered separately, illustrated example with CONHEAD rain shower head RAIN2.

Water path CONGENIAL

Comprehensive, adaptive and multifunctional

Showers
electronic

CONTI+ CONGENIAL – High-quality solution with functions for every shower area

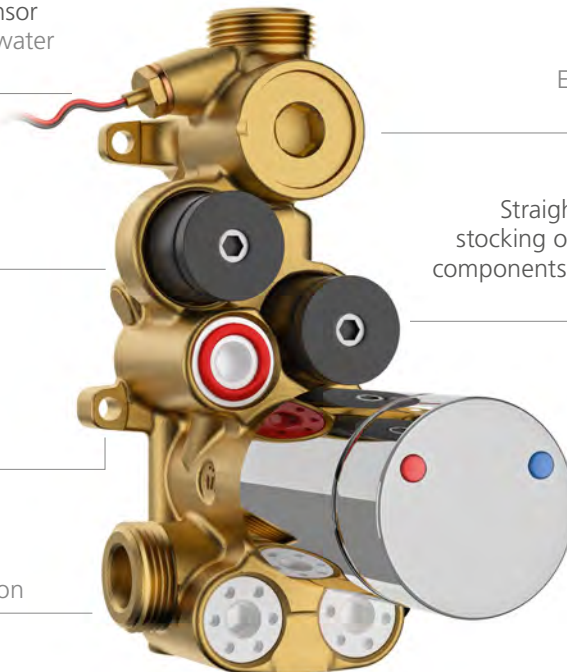
With the CONGENIAL shower series and the CONTI+ CONGENIAL adaptive multifunctional water path, you always make the right choice for your electronic or mechanical shower room. Intelligent technologies can sustainably reduce water and energy consumption. In addition, robust and easy-to-clean materials reduce personnel and storage costs. Last but not least, impeccable hygiene and simple and safe operation also play an important role in an unforgettable shower experience. Due to the many conversion and upgrade options, numerous variants for expanding and changing the shower and service functionalities are available in the short, medium and long term – CONGENIAL offers conversion options in all directions.

Temperature immersion sensor for integration in the CNX water management system

Operating and hygiene function upgrades
Variant options thanks to standardised technology

Fixing at the rear on panels of concealed showers, service access at the front

Materials compliant with standards for drinking water installation



Optional variations
Electronic/mechanical conversion and upgrade options

Straightforward servicing and reduced stocking of spare parts thanks to common components in all CONTI+ faucets, including ROBUST solenoid valve

Thermostat
Safety when showering thanks to thermostatic cartridge for anti-scalding protection

Standard-compliant non-return valves and filters to prevent contamination

Concealed design options

- Concealed shower CONGENIAL stainless steel, round or rectangular
- Concealed shower CONGENIAL FIT stainless steel or chrome round or rectangular
- For shower head mounting or hand shower kit
- Mechanical version also available: Water hydraulics or on/off function see section "Mechanical showers"



Design options shower panel

- Shower panel stainless steel or acrylic composite
- With or without seamlessly integrated shower niche
- For shower head mounting or hand shower kit
- Precise-fit cover extension available
- Mechanical version also available: Water hydraulics or on/off function see section "Mechanical showers"



CONTI+ CONGENIAL

Shower panel, thermostat, piezo push button, DN15

Electronic shower control, designed as a shower panel with nominal diameter DN15. With thermostatic mixer for connection to cold and hot water. For new build and refurbishment projects in public, semi-public and commercial washrooms.

- Shower panel, designed with mounting frame for the water path, fixing hardware included
- Mounting frame: 1.4301 stainless steel
- Multifunctional tool for maintenance work
- CONGENIAL adaptive multifunctional water path with 6 V/DC ROBUST solenoid valve, bistable
- Upgrade and conversion functionalities
- Faucet body: dezincification-resistant pressed brass, as high grade thermostatic mixer faucet, thermostat handle: chrome plated brass
- Visible components made from solid, high-gloss chrome plated brass, with safety stop
- Choice of temperature setting range
- Integral non-return valves in the bypass and non-return valves and strainer cartridges for water paths
- All working parts removable without dismantling the faucet body during maintenance work
- Electronic operation of the shower function via start/stop piezo push button; piezo push button: ring coloured red, high-gloss chrome plated collar
- Water running time for the shower function can be adjusted
- Demand-dependent sanitary rinse triggered at intervals to prevent stagnation

Technical data

Connection voltage (battery):	6 V/DC
Connection voltage (mains):	12 V/DC
Connection voltage (CNX):	30 V/DC
Operating pressure:	1.5–5.0 bar
Water temperature in standard mode (max.):	70 °C
Water temperature for thermal disinfection:	Briefly 80 °C for thermal disinfection
Flow rate controller DN15:	0.15 l/s (Flow rate controller)
Flow rate for thermal Disinfection DN15:	0.05 l/s (Flow rate controller)
Water running time setting range:	3–180 s
Water running time factory setting:	30 s
Sanitary rinse setting range:	12, 24 or 72 h, or can be disabled – all via piezo push button setting; other sanitary rinse intervals can be set via Service APP or CNX
Sanitary rinse factory setting:	12 h after the water flow was last triggered, 30 s water running time
Electronic IP protection:	IP68
Stainless steel dimensions (WxHxD):	220x1400x80 mm
Acrylic composite dimensions (WxHxD):	220x1410x85 mm

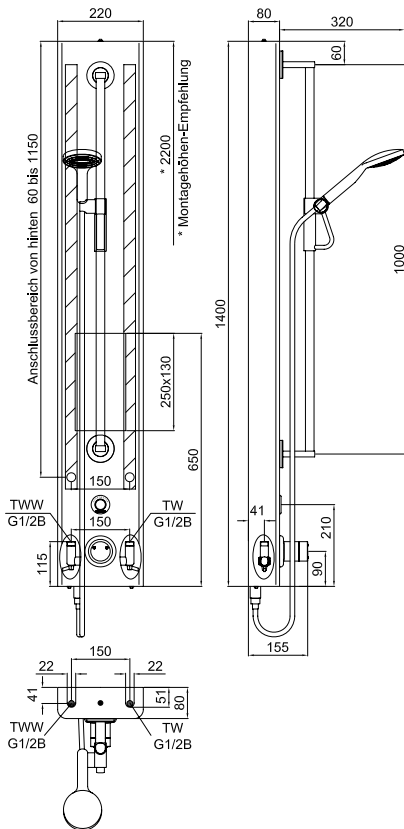
Required accessories see following product pages

Optional accessories	Order number
BLE Converter 2. Generation	CONO270000
Connection kit	CONO670010
Manual TD plug for thermal disinfection	CONO310000
Stainless steel precise-fit cover extension (clear span of 65 mm or more)	CONO660000
Acrylic composite, precise-fit cover extension (clear span of 65 mm or more)	CONO661000



CONGENIAL shower panel, stainless steel, for hand shower kit

Showers
electronic



Type: battery | 6 V lithium battery with a waterproof coating

Functions	Order number
Sanitary rinse	CONE0211211100
Sanitary rinse Cleaning stop	CONE0211211140
Sanitary rinse with seamlessly integrated tray	CONE0212211100
Sanitary rinse Cleaning stop with seamlessly integrated tray	CONE0212211140



Type: mains | 12 V/DC series cabling for connection to power supply unit

Functions	Order number
Sanitary rinse	CONE0211211200
Sanitary rinse Cleaning stop	CONE0211211240
Sanitary rinse Sanitary rinse key switch	CONE0211211210
Sanitary rinse Thermal disinfection key switch	CONE0211211230
Sanitary rinse with seamlessly integrated tray	CONE0212211200
Sanitary rinse Cleaning stop with seamlessly integrated tray	CONE0212211240
Sanitary rinse Sanitary rinse key switch with seamlessly integrated tray	CONE0212211210
Sanitary rinse Thermal disinfection key switch with seamlessly integrated tray	CONE0212211230



Type: CNX | 30 V/DC BUS cabling to CNX control centre

Functions	Order number
Sanitary rinse Cleaning stop	CONE0211211336
Sanitary rinse Cleaning stop Thermal disinfection CNX	CONE0211211360
Sanitary rinse Cleaning stop with seamlessly integrated tray	CONE0212211336
Sanitary rinse Cleaning stop Thermal disinfection CNX with seamlessly integrated tray	CONE0212211360

Required accessories	Order number
CONHEAD hand shower kit	CONO040010
J-Y(St)Y cable, 2x2x0.8 mm	CONO220000
Key switch	see accessories
Power supply unit	CONO511000
Power supply unit alternative	CONO512000
CNX control centre	see CNX

Note:

For the CNX version with thermal disinfection, the temperature sensor is already included in the scope of delivery.

CONGENIAL shower panel, stainless steel, for shower head mounting



Type: battery | 6 V lithium battery with a waterproof coating

Functions	Order number
Sanitary rinse	CONE0111211100
Sanitary rinse Cleaning stop	CONE0111211140
Sanitary rinse with seamlessly integrated tray	CONE0112211100
Sanitary rinse Cleaning stop with seamlessly integrated tray	CONE0112211140



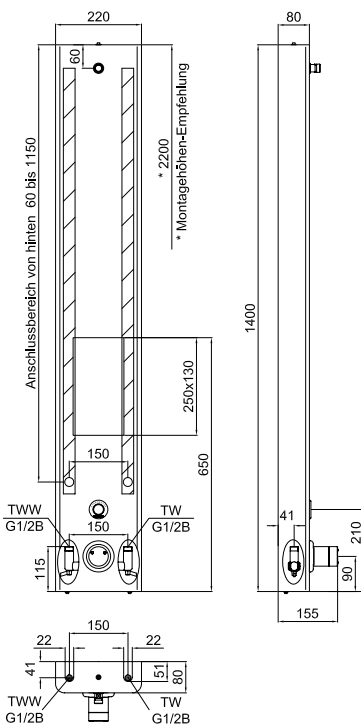
Type: mains | 12 V/DC series cabling for connection to power supply unit

Functions	Order number
Sanitary rinse	CONE0111211200
Sanitary rinse Cleaning stop	CONE0111211240
Sanitary rinse Sanitary rinse key switch	CONE0111211210
Sanitary rinse Thermal disinfection key switch	CONE0111211230
Sanitary rinse with seamlessly integrated tray	CONE0112211200
Sanitary rinse Cleaning stop with seamlessly integrated tray	CONE0112211240
Sanitary rinse Sanitary rinse key switch with seamlessly integrated tray	CONE0112211210
Sanitary rinse Thermal disinfection key switch with seamlessly integrated tray	CONE0112211230



Type: CNX | 30 V/DC BUS cabling to CNX control centre

Functions	Order number
Sanitary rinse Cleaning stop	CONE0111211336
Sanitary rinse Cleaning stop Thermal disinfection CNX	CONE0111211360
Sanitary rinse Cleaning stop with seamlessly integrated tray	CONE0112211336
Sanitary rinse Cleaning stop Thermal disinfection CNX with seamlessly integrated tray	CONE0112211360



Required accessories

CONHEAD shower heads for shower panels	see below
Additional accessories	see on the left

CONHEAD shower heads for shower panels



SHORTY
CONO030010



RAIN2
CONO020010



GOLF
CONO010010



CITY
CONO050010

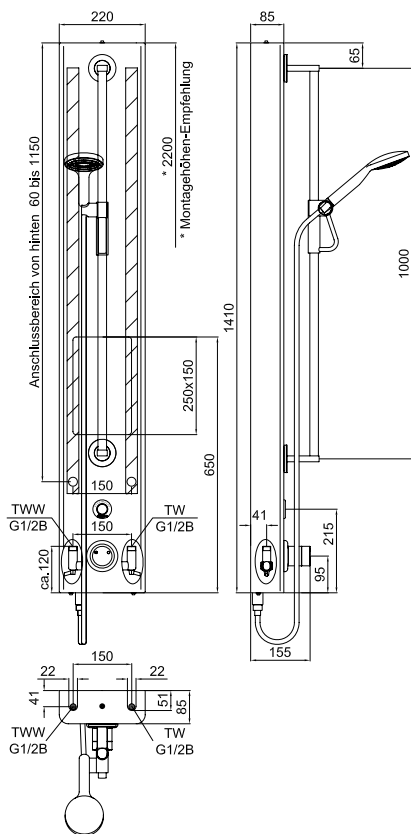


VESUV
CONO060010

Illustrative example from
CONHEAD rain shower head RAIN2.

CONGENIAL shower panel, acrylic composite, for hand shower kit

Showers
electronic



Type: battery | 6 V lithium battery with a waterproof coating

Functions	Order number
Sanitary rinse	CONE0231211100
Sanitary rinse Cleaning stop	CONE0231211140
Sanitary rinse with seamlessly integrated tray	CONE0232211100
Sanitary rinse Cleaning stop with seamlessly integrated tray	CONE0232211140



Type: mains | 12 V/DC series cabling for connection to power supply unit

Functions	Order number
Sanitary rinse	CONE0231211200
Sanitary rinse Cleaning stop	CONE0231211240
Sanitary rinse Sanitary rinse key switch	CONE0231211210
Sanitary rinse Thermal disinfection key switch	CONE0231211230
Sanitary rinse with seamlessly integrated tray	CONE0232211200
Sanitary rinse Cleaning stop with seamlessly integrated tray	CONE0232211240
Sanitary rinse Sanitary rinse key switch with seamlessly integrated tray	CONE0232211210
Sanitary rinse Thermal disinfection key switch with seamlessly integrated tray	CONE0232211230



Type: CNX | 30 V/DC BUS cabling to CNX control centre

Functions	Order number
Sanitary rinse Cleaning stop	CONE0231211336
Sanitary rinse Cleaning stop Thermal disinfection CNX	CONE0231211360
Sanitary rinse Cleaning stop with seamlessly integrated tray	CONE0232211336
Sanitary rinse Cleaning stop Thermal disinfection CNX with seamlessly integrated tray	CONE0232211360

Required accessories	Order number
CONHEAD hand shower kit	CONO040010
J-Y(St)Y cable, 2x2x0.8 mm	CONO220000
Key switch	see accessories
Power supply unit	CONO511000
Power supply unit alternative	CONO512000
CNX control centre	see CNX

Note:

For the CNX version with thermal disinfection, the temperature sensor is already included in the scope of delivery.

CONGENIAL shower panel, acrylic composite, for shower head mounting



Type: battery | 6 V lithium battery with a waterproof coating

Functions	Order number
Sanitary rinse	CONE0131211100
Sanitary rinse Cleaning stop	CONE0131211140
Sanitary rinse with seamlessly integrated tray	CONE0132211100
Sanitary rinse Cleaning stop with seamlessly integrated tray	CONE0132211140



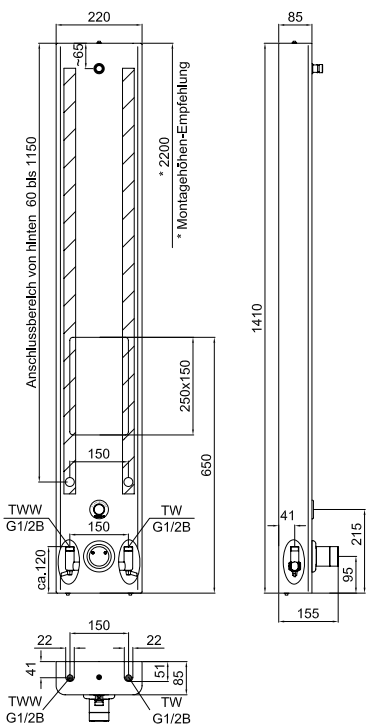
Type: mains | 12 V/DC series cabling for connection to power supply unit

Functions	Order number
Sanitary rinse	CONE0131211200
Sanitary rinse Cleaning stop	CONE0131211240
Sanitary rinse Sanitary rinse key switch	CONE0131211210
Sanitary rinse Thermal disinfection key switch	CONE0131211230
Sanitary rinse with seamlessly integrated tray	CONE0132211200
Sanitary rinse Cleaning stop with seamlessly integrated tray	CONE0132211240
Sanitary rinse Sanitary rinse key switch with seamlessly integrated tray	CONE0132211210
Sanitary rinse Thermal disinfection key switch with seamlessly integrated tray	CONE0132211230



Type: CNX | 30 V/DC BUS cabling to CNX control centre

Functions	Order number
Sanitary rinse Cleaning stop	CONE0131211336
Sanitary rinse Cleaning stop Thermal disinfection CNX	CONE0131211360
Sanitary rinse Cleaning stop with seamlessly integrated tray	CONE0132211336
Sanitary rinse Cleaning stop Thermal disinfection CNX with seamlessly integrated tray	CONE0132211360



Required accessories

CONHEAD shower heads for shower panels	see below
Additional accessories	see on the left

CONHEAD shower heads for shower panels



SHORTY
CONO030010



RAIN2
CONO020010



GOLF
CONO010010



CITY
CONO050010



VESUV
CONO060010

Illustrative example from
CONHEAD rain shower head RAIN2.

Installation & maintenance with front access – quick and easy

Fully fitted kit

- Completely assembled with your required functions and water release (electronic/mechanical)
- Cover plate optionally round or rectangular shape
- For CONHEAD DN15 shower heads or hand shower kits for wall mounting

Housing completely sealed with brass fixings

Mixed water outlet 1/2"

CONTI+ CONBOX framing kit for concealed shower DN15 for electronic and mechanical CONTI+ CONGENIAL concealed showers

Faucet inside the concealed box – water path/flushing unit can be removed from the front – no construction work required

Support for spirit level

Dimensions (WxHxD) 232x272x96mm

Hot water path 1/2" (cold water inlet opposite)

PVC seals

Oval fixing holes Variable mounting lugs to allow for compensatory adjustments

Shut-off device with length adjustment



Standard-compliant packing/waterproofing with flexible expansion zone, included in standard delivery

Screwed union for removing the water path inside the concealed box

Position display of locking status

Complete flushing unit for total flushing of the whole installation and pressure testing, then installation of all versions of the CONTI+ CONGENIAL adaptive multifunctional water path



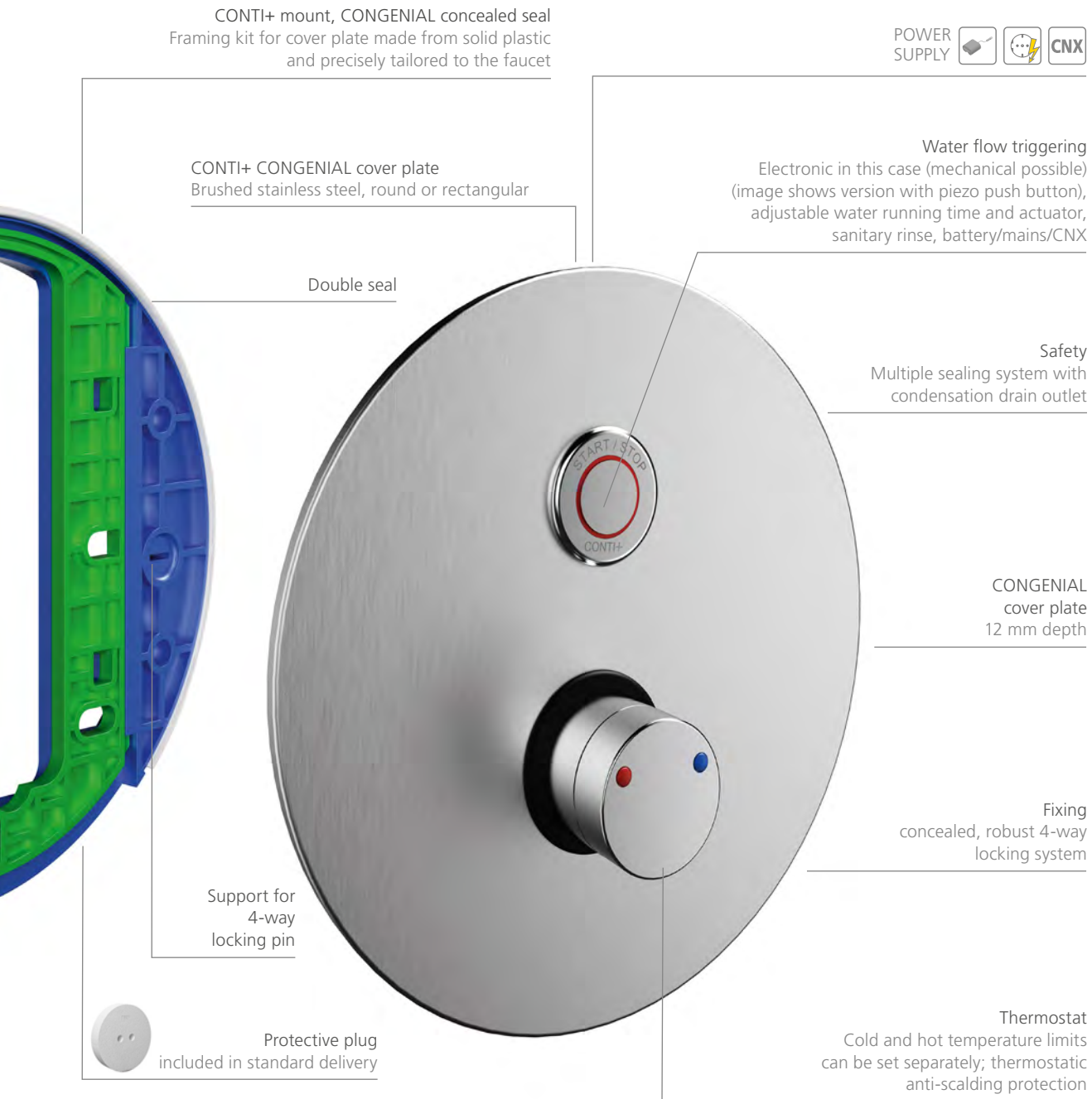
Condensation drain Falls and drains to the front

Angled access of the locking screw

CONTI+ CONGENIAL concealed shower

The large scale solution: convenient maintenance

Showers
electronic



Hygiene
Electronic version for control via the Service APP or can be integrated in the CNX water management system for further functions

CONTI+ CONGENIAL

Concealed shower, thermostat, piezo push button, DN15 – fully fitted kit

Fully fitted kit for electronic shower controls, designed as a concealed shower with DN15 nominal diameter. With thermostatic mixer for connection to cold and hot water. For new build and refurbishment projects in public, semi-public and commercial washrooms.

- Fully fitted kit with round or rectangular cover plate for concealed showers
- Concealed anti-theft proof fixing, robust 4-way locking system, multiple sealing system with condensation drain outlet
- Cover plate: 1.4301 stainless steel, all visible surfaces: brushed stainless steel
- Support frame for cover plate: ABS with EPDM seal
- Apertures for function elements and thermostat, including EPDM sealing rings
- Multifunctional tool for maintenance work
- CONGENIAL adaptive multifunctional water path with 6 V/DC ROBUST solenoid valve, bistable
- Upgrade and conversion functionalities
- Faucet body: dezincification-resistant pressed brass, as high grade thermostatic mixer faucet, thermostat handle: chrome plated brass
- Visible components made from solid, high-gloss chrome plated brass, with safety stop
- Choice of temperature setting range
- Integral non-return valves in the bypass and non-return valves and strainer cartridges for water paths
- All working parts removable without dismantling the faucet body during maintenance work
- Electronic operation of the shower function via start/stop piezo push button; piezo push button: ring coloured red, high-gloss chrome plated collar
- Water running time for the shower function can be adjusted
- Demand-dependent sanitary rinse triggered at intervals to prevent stagnation



Technical data

Connection voltage (battery):	6 V/DC
Connection voltage (mains):	12 V/DC
Connection voltage (CNX):	30 V/DC
Operating pressure:	1.5–5.0 bar
Water temperature in standard mode (max.):	70 °C
Water temperature for thermal disinfection:	briefly 80 °C for thermal disinfection
Flow rate DN15:	0.15 l/s (Flow rate controller)
Flow rate for thermal disinfection DN15:	0.05 l/s (Flow rate controller)
Water running time setting range (max.):	3–180 s
Water running time factory setting:	30 s
Sanitary rinse setting range:	12, 24 or 72 h, or can be disabled – all via piezo push button setting; other sanitary rinse intervals can be set via Service APP or CNX
Sanitary rinse factory setting:	12 h after the water flow was last triggered, 30 s water running time
Electronic IP protection:	IP68
Round dimensions (ØxD):	260x12 mm
Rectangular dimensions (WxHxD):	260x290x12 mm

Type options

- Cover plate optionally round or rectangular shape
- For shower head mounting or hand shower kit



Required accessories	Order number
CONHEAD shower heads for for wall mounting	
CONHEAD hand shower kit	CONO040000
Wall elbow connector	CONO092000
Framing kit	CONR0112
Framing kit alternative	CONR1112
J-Y(St)Y cable, 2x2x0.8 mm	CONO220000
Key switch	see accessories
Power supply unit	CONO511000
Power supply unit alternative	CONO512000
CNX control centre	see CNX

Optional accessories	Order number
BLE Converter 2. Generation	CONO270000
Manual TD plug for thermal disinfection	CONO310000
Extension kit 30 mm	CONO670200

CONGENIAL stainless steel concealed shower



Round cover plate



Type: battery | 6 V lithium battery with a waterproof coating

Functions	Order number
Sanitary rinse	CONE2113211100
Sanitary rinse Cleaning stop	CONE2113211140



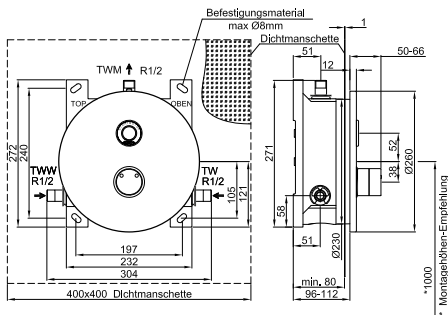
Type: mains | 12 V/DC series cabling for connection to power supply unit

Functions	Order number
Sanitary rinse	CONE2113211200
Sanitary rinse Cleaning stop	CONE2113211240
Sanitary rinse Sanitary rinse key switch	CONE2113211210
Sanitary rinse Thermal disinfection key switch	CONE2113211230



Type: CNX | 30 V/DC BUS cabling to CNX control centre

Functions	Order number
Sanitary rinse Cleaning stop	CONE2113211336
Sanitary rinse Cleaning stop Thermal disinfection CNX	CONE2113211360



Rectangular cover plate



Type: battery | 6 V lithium battery with a waterproof coating

Functions	Order number
Sanitary rinse	CONE2115211100
Sanitary rinse Cleaning stop	CONE2115211140



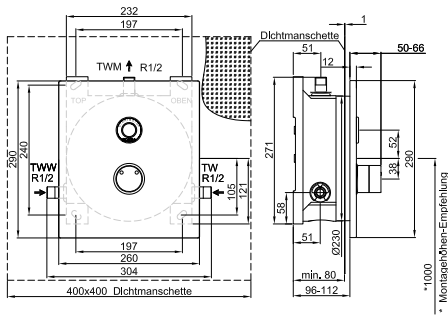
Type: mains | 12 V/DC series cabling for connection to power supply unit

Functions	Order number
Sanitary rinse	CONE2115211200
Sanitary rinse Cleaning stop	CONE2115211240
Sanitary rinse Sanitary rinse key switch	CONE2115211210
Sanitary rinse Thermal disinfection key switch	CONE2115211230



Type: CNX | 30 V/DC BUS cabling to CNX control centre

Functions	Order number
Sanitary rinse Cleaning stop	CONE2115211336
Sanitary rinse Cleaning stop Thermal disinfection CNX	CONE2115211360



Note:
For the CNX version with thermal disinfection, the temperature sensor is already included in the scope of delivery.

Installation & maintenance with front access – quick and easy

Fully fitted kit

- Completely assembled with your required functions and water release (electronic/mechanical)
- Cover plate optionally round or rectangular shape
- Visible surfaces stainless steel brushed or chrome plated
- For CONHEAD DN15 shower heads or hand shower kits for wall mounting

Housing completely sealed

Mixed water outlet 1/2"

CONTI+ CONBOX FIT framing kit for concealed shower DN15 for electronic and mechanical CONTI+ CONGENIAL FIT concealed showers

Faucet inside the concealed box – water path/flushing unit can be removed from the front – no construction work required

Support for spirit level

Reinforcement braces on the side and rear

Shut-off device inside the concealed box

Hot water path 1/2" (cold water inlet opposite)

Oval fixing holes Variable mounting lugs to allow for compensatory adjustments

Dimensions (WxHxD) 157x216x127 mm



Standard-compliant packing/waterproofing with flexible expansion zone, included in standard delivery

Safety Condensation drain outlet

Condensation drain Falls and drains to the front

Complete flushing unit for total flushing of the whole installation and pressure testing, then installation of all versions of the CONTI+ CONGENIAL adaptive multifunctional water line



CONTI+ mount, CONGENIAL FIT concealed Only framing kit attachment for cover plate made from plastic for precision installation

CONTI+ CONGENIAL FIT concealed shower

The small solution: versatile and functional

Showers
electronic

POWER SUPPLY   

CONTI+ CONGENIAL FIT cover plate
Brushed or chrome plated stainless steel,
round or rectangular

Water flow triggering
Electronic in this case (mechanical possible)
(image shows version with piezo push button),
adjustable water running time and actuator,
sanitary rinse, battery/mains/CNX

CONGENIAL FIT
cover plate
10 mm depth

Hygiene
Electronic version for control
via the Service APP or can
be integrated in the
CNX water management system
for further functions

Fixing
concealed, robust 2-way
locking system

Thermostat
Cold and hot temperature limits
can be set separately;
thermostatic
anti-scalding protection

Dimensions (WxHxD)
170x225x10 mm

Protective plug
included in
standard delivery



CONTI+ CONGENIAL FIT

Concealed shower, thermostat, piezo push button, DN15 – fully fitted kit

Fully fitted kit for electronic shower controls, designed as a concealed shower with DN15 nominal diameter. With thermostatic mixer for connection to cold and hot water. For new build and refurbishment projects in public, semi-public and commercial washrooms.

- Fully fitted kit with round or rectangular cover plate for concealed showers
- Concealed anti-theft proof fixing, robust 2-way locking system, condensation drain outlet
- Cover plate: 1.4301 stainless steel, all visible surfaces: stainless steel brushed or chrome plated
- Support frame for cover plate
- Apertures for function elements and thermostat, including EPDM sealing rings
- Multifunctional tool for maintenance work
- CONGENIAL adaptive multifunctional water path with 6 V/DC ROBUST solenoid valve, bistable
- Upgrade and conversion functionalities
- Faucet body: dezincification-resistant pressed brass, as high grade thermostatic mixer faucet, thermostat handle: chrome plated brass
- Visible components made from solid, high-gloss chrome plated brass, with safety stop
- Choice of temperature setting range
- Integral non-return valves in the bypass and non-return valves and strainer cartridges for water paths
- All working parts removable without dismantling the faucet body during maintenance work
- Electronic operation of the shower function via start/stop piezo push button; piezo push button: ring coloured red, high-gloss chrome plated collar
- Water running time for the shower function can be adjusted
- Demand-dependent sanitary rinse triggered at intervals to prevent stagnation






Technical data

Connection voltage (battery):	6 V/DC
Connection voltage (mains):	12 V/DC
Connection voltage (CNX):	30 V/DC
Operating pressure:	1.5–5.0 bar
Water temperature in standard mode (max.):	70 °C
Water temperature for thermal disinfection:	briefly 80 °C for thermal disinfection
Flow rate DN15:	0.15 l/s (Flow rate controller)
Flow rate for thermal disinfection DN15:	0.05 l/s (Flow rate controller)
Water running time setting range (max.):	3–180 s
Water running time factory setting:	30 s
Sanitary rinse setting range:	12, 24 or 72 h, or can be disabled – all via piezo push button setting; other sanitary rinse intervals can be set via Service APP or CNX
Sanitary rinse factory setting:	12 h after the water flow was last triggered, 30 s water running time
Electronic IP protection:	IP68
Round dimensions (ØxD):	260x12 mm
Rectangular dimensions (WxHxD):	170x225x10 mm

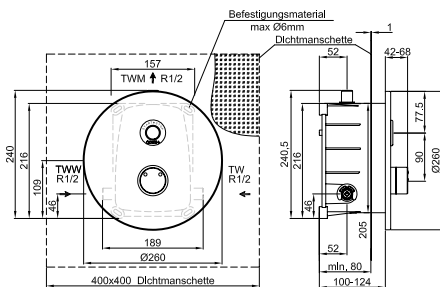
Type options

- Visible surfaces stainless steel brushed or chrome plated
- Cover plate optionally round or rectangular shape
- For shower head mounting or hand shower kit

Required accessories	Order number
CONHEAD shower heads for for wall mounting	
CONHEAD hand shower kit	CONO040000
Wall elbow connector	CONO092000
Framing kit	CONR2112
J-Y(St)Y cable, 2x2x0.8 mm	CONO220000
Key switch	see accessories
 Power supply unit	CONO511000
 Power supply unit alternative	CONO512000
 CNX control centre	see CNX
Optional accessories	Order number
BLE Converter 2. Generation	CONO270000
Manual TD plug for thermal disinfection	CONO310000
Extension kit 30 mm	CONO672200



CONGENIAL FIT concealed shower, round



Brushed stainless steel cover plate



Type: battery | 6 V lithium battery with a waterproof coating

Functions	Order number
Sanitary rinse	CONE2114211100
Sanitary rinse Cleaning stop	CONE2114211140



Type: mains | 12 V/DC series cabling for connection to power supply unit

Functions	Order number
Sanitary rinse	CONE2114211200
Sanitary rinse Cleaning stop	CONE2114211240
Sanitary rinse Sanitary rinse key switch	CONE2114211210
Sanitary rinse Thermal disinfection key switch	CONE2114211230



Type: CNX | 30 V/DC BUS cabling to CNX control centre

Functions	Order number
Sanitary rinse Cleaning stop	CONE2114211336
Sanitary rinse Cleaning stop Thermal disinfection CNX	CONE2114211360

Chrome plated stainless steel cover plate



Type: battery | 6 V lithium battery with a waterproof coating

Functions	Order number
Sanitary rinse	CONE2154211100
Sanitary rinse Cleaning stop	CONE2154211140



Type: mains | 12 V/DC series cabling for connection to power supply unit

Functions	Order number
Sanitary rinse	CONE2154211200
Sanitary rinse Cleaning stop	CONE2154211240
Sanitary rinse Sanitary rinse key switch	CONE2154211210
Sanitary rinse Thermal disinfection key switch	CONE2154211230



Type: CNX | 30 V/DC BUS cabling to CNX control centre

Functions	Order number
Sanitary rinse Cleaning stop	CONE2154211336
Sanitary rinse Cleaning stop Thermal disinfection CNX	CONE2154211360

Note:
For the CNX version with thermal disinfection, the temperature sensor is already included in the scope of delivery.

Resource-efficient conversions

Save energy and water with our range of 6 l/min shower heads

CONTI+ shower heads – water flow rate controllers from 6 – 9 l/min with DN15

With our large selection of CONTI+ shower heads – suitable for shower panels and concealed showers – we offer versatile solutions for individual shower room designs.

In addition to shower heads, a version with a hand shower is also available, for example for accessible showers, as well as all kinds of different spiked and rain shower heads that bring a feelgood factor to the shower or spa. The CONTI+ portfolio is completed by our DN20 downpour showers for a true spa and wellness feeling.

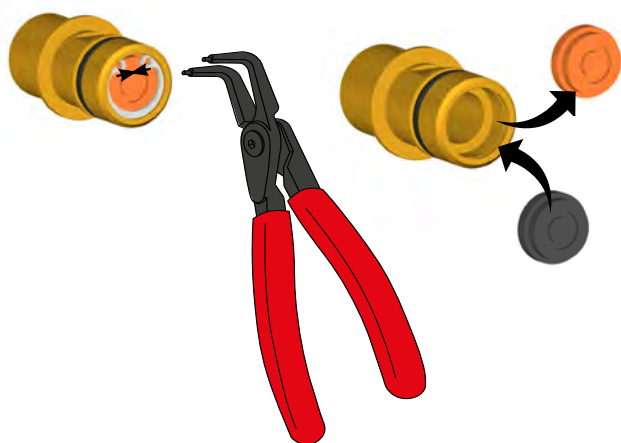
A shower experience that maximises energy and water savings is guaranteed thanks to the preset flow angle (also individually adjustable in some cases), standard flow rate of 9 l/min and adjustable water running times.

Minimising water and energy consumption is increasingly a priority when selecting suitable components for shower rooms and washrooms. For minor conversions, we offer an optimum ECOplus experience with our showers and shower heads. Replacing the water flow rate controller with the 6 l/min version ensures efficient use of resources without compromising on the showering experience.

The 6 l/min water flow rate controller is not only suitable for new CONTI+ showers but also with our existing showers. Save energy and water with our shower head and water flow rate controllers. Speak to us to find out more!

ECOplus – resource-efficient technology that can be integrated at the design stage or anytime during conversion – to enhance your shower room or washroom.

ECOplus DN15 water flow rate controller:



6 l/min water flow rate controller

(Upgrade option for existing CONTI+ showers). Order info:

CONZ0690006 | 6 l/min

Water flow rate controller for shower heads (3-piece set)



6 litres
black
(ECOplus)



9 litres
orange
(standard)



SHORTY
CONO030000



RAIN2
CONO020000



GOLF
CONO010000



CITY
CONO050000



VESUV
CONO060000



Water saving water flow rate controller

Reduced water consumption due to economical flow rates of only 6 l/min instead of 9 l/min courtesy of optional water flow rate controller.

Water running times can also be shortened for even greater water savings.

CONGENIAL FIT concealed shower, rectangular



Brushed stainless steel cover plate



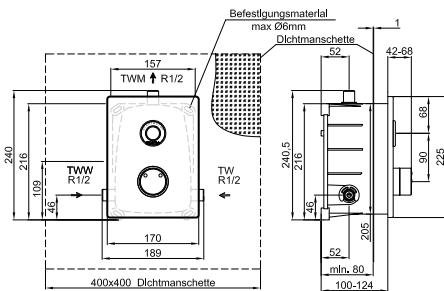
Type: battery | 6 V lithium battery with a waterproof coating

Functions	Order number
Sanitary rinse	CONE2116211100
Sanitary rinse Cleaning stop	CONE2116211140



Type: mains | 12 V/DC series cabling for connection to power supply unit

Functions	Order number
Sanitary rinse	CONE2116211200
Sanitary rinse Cleaning stop	CONE2116211240
Sanitary rinse Sanitary rinse key switch	CONE2116211210
Sanitary rinse Thermal disinfection key switch	CONE2116211230



Type: CNX | 30 V/DC BUS cabling to CNX control centre

Functions	Order number
Sanitary rinse Cleaning stop	CONE2116211336
Sanitary rinse Cleaning stop Thermal disinfection CNX	CONE2116211360

Chrome plated stainless steel cover plate



Type: battery | 6 V lithium battery with a waterproof coating

Functions	Order number
Sanitary rinse	CONE2156211100
Sanitary rinse Cleaning stop	CONE2156211140



Type: mains | 12 V/DC series cabling for connection to power supply unit

Functions	Order number
Sanitary rinse	CONE2156211200
Sanitary rinse Cleaning stop	CONE2156211240
Sanitary rinse Sanitary rinse key switch	CONE2156211210
Sanitary rinse Thermal disinfection key switch	CONE2156211230



Type: CNX | 30 V/DC BUS cabling to CNX control centre

Functions	Order number
Sanitary rinse Cleaning stop	CONE2156211336
Sanitary rinse Cleaning stop Thermal disinfection CNX	CONE2156211360

Shower panel with fresh water module

For installations with cold water connections

Showers
electronic

CONTI+ CONFRESH – heated and fresh

Older buildings, in particular, often have outdated technology and shower units in need of refurbishment. However, a completely new installation can be especially challenging in these cases, because generally only cold water connections are available. CONTI+ CONFRESH provides an intelligent, sustainable solution. The electronic shower panel with thermostatic mixer, robust piezo push button and integral fresh water module uses the hot water from external, central or decentralised heat sources directly on site. It heats the cold drinking water by means of a built-in plate heat exchanger. Fresh, comfortably warm shower water is guaranteed – at all times.

Heating water return HRL

Heating water flow HVL

Choice of
6 different
shower heads



Circulation bridge

The thermostatic circulation bridge ensures instant provision of the heating medium for domestic hot water heating. The flow temperature is adjustable from 35 °C to 65 °C. Whenever the temperature falls below the set flow temperature, the thermostat opens so that the heating medium can circulate and, if water is drawn off, energy can be used immediately for domestic hot water heating.

Plate heat exchanger

Type options

- For fixed shower heads or hand shower kit
- Precise-fit cover extension available



Cold water path
PWC (potable water cold)

Hot water spout
PWH (mixed water)

Differential pressure regulator

For hydronic balancing, i.e. to maintain the pressure differential needed to heat the water via the module.

Proportional flow controller

Only opens the drinking water (cold water) and heating water media flows via the heat exchanger if hot water is drawn off. The valve closes once no more water is to be drawn off, thereby preventing further heating of the heat exchanger.

CONTI+ CONGENIAL adaptive
multifunctional water path
Systems: battery, mains or CNX



CONTI+ CONFRESH

Shower panel, thermostat, piezo push button, DN15, fresh water module

Electronic shower control, designed as a shower panel with nominal diameter DN15. Integral fresh water module for decentralised domestic hot water heating directly within the shower panel. Hot water produced via plate heat exchanger through the supply of heating water. With thermostatic mixer for connection to cold and heating water (flow and return). For new build and refurbishment projects in public, semi-public and commercial washrooms.

- Stainless steel shower panel. Designed with mounting frame for the water path, fixing hardware included; cover cladding and mounting frame: 1.4301 stainless steel
- All visible surfaces: brushed stainless steel
- Connection from above only
- Multifunctional tool for maintenance work
- Fresh water module: integral circulation bridge for heating water circuit
- DVGW-approved proportional flow controller and differential pressure regulator
- Heating water pipes: stainless steel corrugated pipe; drinking water pipes: copper and flexible hoses
- CONGENIAL adaptive multifunctional water path with 6 V/DC ROBUST solenoid valve, bistable
- Upgrade and conversion functionalities
- Faucet body: dezincification-resistant pressed brass, as high grade thermostatic mixer faucet, thermostat handle: chrome plated brass
- Visible components made from solid, high-gloss chrome plated brass, with safety stop
- Choice of temperature setting range
- Integral non-return valves in the bypass and non-return valves and strainer cartridges for water paths
- All working parts removable from the front without dismantling the faucet body during maintenance work
- Electronic operation of the shower function via start/stop piezo push button; piezo push button: ring coloured red, high-gloss chrome plated collar
- Water running time for the shower function can be adjusted
- Demand-dependent sanitary rinse triggered at intervals to prevent stagnation

Technical data

Connection voltage (battery):	6 V/DC
Connection voltage (mains):	12 V/DC
Connection voltage (CNX):	30 V/DC
Operating pressure:	1.5–5.0 bar
Water temperature in standard mode (max.):	70 °C
Flow rate DN15:	0.15 l/s (Flow rate controller)
Water running time setting range (max.):	3–180 s
Water running time factory setting:	30 s
Sanitary rinse setting range:	12, 24 or 72 h, or can be disabled – all via piezo push button setting; other sanitary rinse intervals can be set via Service APP or CNX
Sanitary rinse factory setting:	12 h after the water flow was last triggered, 30 s water running time
Fresh water module output (plate heat exchanger):	35 kW
Hot water heating, standard conditions:	With 65 °C heating water supply
Heating flow (max.):	80 °C
Domestic hot water temperature – inlet side:	10 °C
Domestic hot water temperature – outlet side:	45 °C
Heat exchanger pressure drop:	0.22 bar
Electronic IP protection:	IP68
Dimensions (WxHxD):	220x1400x80 mm



CONFRESH shower panel, stainless steel, for hand shower kit

Showers
electronic



Type: battery | 6 V lithium battery with a waterproof coating

Functions	Order number
Sanitary rinse	CONE0211211150



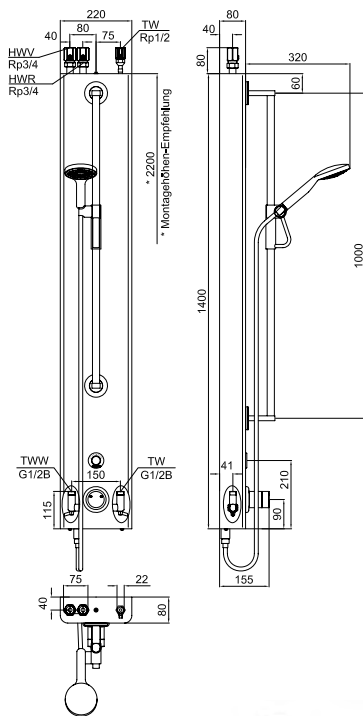
Type: mains | 12 V/DC series cabling for connection to power supply unit

Functions	Order number
Sanitary rinse	CONE0211211250



Type: CNX | 30 V/DC BUS cabling to CNX control centre

Functions	Order number
Sanitary rinse Cleaning stop	CONE0211211356



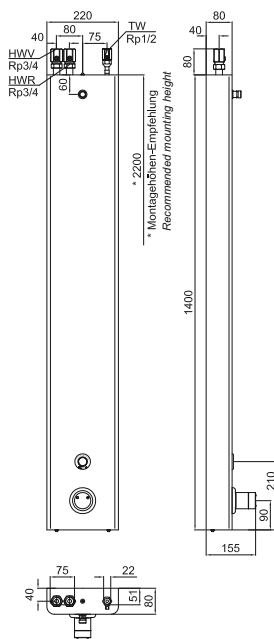
Required accessories	Order number
CONHEAD hand shower kit	CONO040010
J-Y(St)Y cable, 2x2x0.8 mm	CONO220000
Power supply unit	CONO511000
Power supply unit alternative	CONO512000
CNX control centre	see CNX

Optional accessories	Order number
BLE Converter 2. Generation	CONO270000
Stainless steel precise-fit cover extension (clear span of 65 mm or more)	CONO660000

CONHEAD hand shower kit
CONO040010



CONFRESH Shower panel, stainless steel, for shower head mounting



Type: battery | 6 V lithium battery with a waterproof coating

Functions	Order number
Sanitary rinse	CONE0111211150



Type: mains | 12 V/DC series cabling for connection to power supply unit

Functions	Order number
Sanitary rinse	CONE0111211250



Type: CNX | 30 V/DC BUS cabling to CNX control centre

Functions	Order number
Sanitary rinse Cleaning stop	CONE0111211356

Required accessories	Order number
CONHEAD shower heads for shower panels	see below
J-Y(St)Y cable, 2x2x0.8 mm	CONO220000
Power supply unit	CONO511000
Power supply unit alternative	CONO512000
CNX control centre	see CNX

Optional accessories	Order number
BLE Converter 2. Generation	CONO270000
Stainless steel precise-fit cover extension (clear span of 65 mm or more)	CONO660000

Illustrative example from CONHEAD rain shower head RAIN2.

CONHEAD shower heads for shower panels



Water path CONSMART

Compact solution at an entry-level price

Showers
electronic

CONTI+ CONSMART – entry-level shower panel with additional options

CONSMART electronic shower panels guarantee long-term operational reliability thanks to numerous additional functions for maximum comfort with coordinated components and installation types. This makes them ideal for the safe and short-term renovation and re-fitting of sanitary rooms for use in commercial, public and semi-public sanitary rooms with individual requirements. CONSMART: an advantageous and variable solution for a wide variety of properties with optional add-ons.

Materials

compliant with requirements for drinking water installation

Electronic version –
Control and hygiene
upgrade functions

Straightforward servicing and reduced stocking of spare parts thanks to common components in all CONTI+ faucets, including ROBUST solenoid valve



Thermostat
Safety when showering thanks to thermostatic cartridge for anti-scalding protection

Hot and cold water path with flexible hoses for safe yet adaptable installation

Maintenance of shower panel possible without disassembling water path

Compactly summarised

- Electronic activation by piezo push-button
- Thermostat with scald protection
- Nominal width DN15, flexible hoses
- Maintenance possible without removing the water path
- Optional accessories and upgrade options

Type options

- Stainless steel or Acrylic composite shower panel
- With or without seamlessly integrated shower niche
- Sanitary rinse (mixed water)
- Precise-fit cover extension available



CONTI+ CONSMART

Shower panel, thermostat, piezo push button, DN15

Electronic shower control, designed as a shower panel with nominal diameter DN15. With thermostatic mixer for connection to cold and hot water. For new build and refurbishment projects in public, semi-public and commercial washrooms.



- Shower panel, designed with two angled wall brackets, fixing hardware included
- Components for connection from above or behind included in the standard delivery
- 1.4301 stainless steel wall bracket
- SHORTY shower head included in the standard delivery
- Multifunctional tool for maintenance work
- CONSMART water path with 6 V/DC ROBUST solenoid valve, bistable
- Upgrade and conversion functionalities
- Faucet body: dezincification-resistant pressed brass, as high grade thermostatic mixer faucet, thermostat handle: chrome plated brass
- Faucet body: dezincification-resistant pressed brass, as high grade thermostatic mixer faucet, visible components made of solid, high-gloss chrome plated brass, with safety stop
- Choice of temperature corridor
- Integral non-return valves in the bypass, non-return valves and strainer cartridges for water paths
- All working parts removable without dismantling the faucet body during servicing
- Electronic operation of the shower function via start/stop piezo push button; piezo push button: ring coloured red, high-gloss chrome plated collar
- Water running time for the shower function can be adjusted
- Demand-dependent sanitary rinse triggered at intervals to prevent stagnation

Technical data

Connection voltage (battery):	6 V/DC
Connection voltage (mains):	12 V/DC
Operating pressure:	1.5–5.0 bar
Water temperature in standard mode (max.):	70 °C
Water temperature for thermal disinfection:	briefly 80 °C for thermal disinfection
Flow rate DN15:	0.15 l/s (Flow rate controller)
Flow rate for thermal disinfection DN15 (accessories required):	0.05 l/s (Flow rate controller)
Water running time setting range (max.):	3–180 s
Water running time factory setting:	30 s
Sanitary rinse setting range:	12, 24 or 72 h, or can be disabled – all via piezo push button setting; other sanitary rinse intervals can be set via Service APP (not included in the standard delivery)
Sanitary rinse factory setting:	12 h after the water flow was last triggered, 30 s water running time
Electronic IP protection:	IP68
Stainless steel dimensions (WxHxD):	220x1400x80 mm
Acrylic composite dimensions (WxHxD):	220x1410x85 mm














Required accessories

Description	Order number
J-Y(St)Y cable, 2x2x0.8 mm	CONO220000
 Power supply unit	CONO511000
 Power supply unit alternative	CONO512000

Functional accessories

 cannot be combined with 

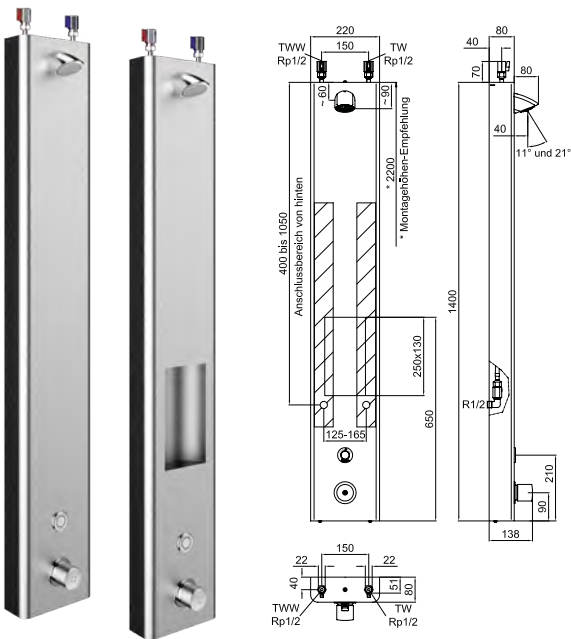
For use for	For type	Description	Order number
 Integration Service APP	 	BLE Converter 2. Generation on CONTI+ faucets	CONO270000
 Adaption Cleaning stop	 	Retrofit kit cleaning stop for electronic showers	CONO610000
 Manual thermal disinfection	 	Manual plug thermal disinfection	CONO310000
 Electronic thermal disinfection		Set thermal disinfection for CONTI+ electronic showers	CONO322000
		Set Key switch in switch design (max. 20 showers)	CONO330010

Optional accessories

Description	Order number
Stainless steel, precise-fit cover extension (clear span of 65 mm or more)	CONO660000
Acrylic composite, precise-fit cover extension (clear span of 65 mm or more)	CONO661000
Shower dish, stainless steel, 220x40/15x65 mm, for wall mounting	CONO680000
Shower dish, ABS, matt silver, 162x41x62 mm, for wall and panel mounting	CONO681000



CONSMART shower panel, stainless steel



Type: battery | 6 V lithium battery with a waterproof coating

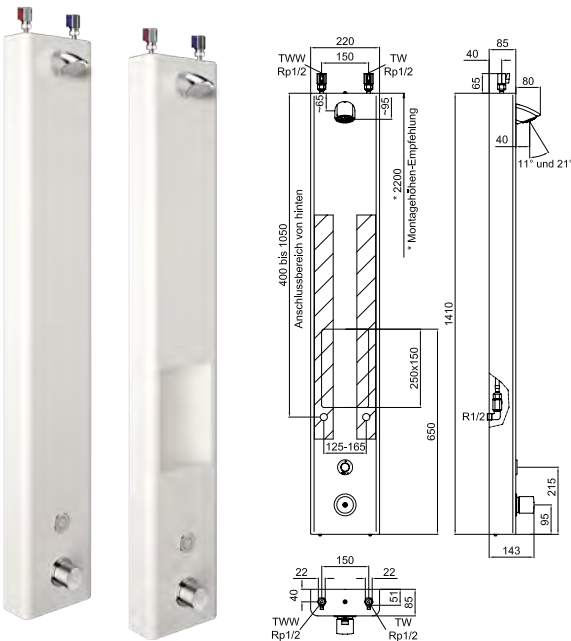
Functions	Order number
Sanitary rinse	CONE4111221109
Sanitary rinse with seamlessly integrated tray	CONE4112221109



Type: mains | 12 V/DC series cabling for connection to power supply unit

Functions	Order number
Sanitary rinse	CONE4111221209
Sanitary rinse with seamlessly integrated tray	CONE4112221209

CONSMART shower panel, acrylic composite



Type: battery | 6 V lithium battery with a waterproof coating

Functions	Order number
Sanitary rinse	CONE4131221109
Sanitary rinse with seamlessly integrated tray	CONE4132221109



Type: mains | 12 V/DC series cabling for connection to power supply unit

Functions	Order number
Sanitary rinse	CONE4131221209
Sanitary rinse with seamlessly integrated tray	CONE4132221209

CONTI+ CONFLOW

Concealed shower, thermostat, piezo push button, DN20 – fully fitted kit

Fully fitted kit for electronic shower controls, designed as a concealed shower with DN20 nominal diameter. With thermostatic mixer for connection to cold and hot water. For new build and refurbishment projects in public, semi-public and commercial washrooms.

- Fully fitted kit with round or rectangular cover plate for concealed showers
- Concealed anti-theft proof fixing, robust 4-way locking system, condensation drain outlet
- Cover plate: 1.4301 stainless steel, all visible surfaces: brushed stainless steel
- Support frame for cover plate: ABS with EPDM seal
- Apertures for function elements and thermostat, including EPDM sealing rings
- Multifunctional tool for maintenance work
- Water path: brass, with two simultaneously driven 6 V/DC ROBUST solenoid valves, bistable, DN15
- Electronic operation of the shower function via start/stop piezo push button; piezo push button: ring coloured red, high-gloss chrome plated collar
- Water running time for the shower function can be adjusted
- Demand-dependent sanitary rinse triggered at intervals to prevent stagnation



Technical data

Connection voltage (battery):	6 V/DC
Connection voltage (mains):	12 V/DC
Connection voltage (CNX):	30 V/DC
Operating pressure:	1.5–5.0 bar
Water temperature in standard mode (max.):	70 °C
Water temperature for thermal disinfection:	briefly 80 °C for thermal disinfection
Flow rate DN20:	0.63 l/s
Flow rate for thermal disinfection DN20:	0.35 l/s
Water running time setting range (max.):	3–180 s
Water running time factory setting:	30 s
Sanitary rinse setting range:	12, 24 or 72 h, or can be disabled – all via piezo push button setting; other sanitary rinse intervals can be set via the Service APP
Sanitary rinse factory setting:	12 h after the water flow was last triggered, 30 s water running time
Electronic IP protection:	IP68
Round dimensions (ØxT):	260x12 mm
Rectangular dimensions (WxHxD):	260x290x12 mm



Water path:

With the CONFLOW water path and separate thermostatic faucet, you get a unique DN20 flow volume with hygiene functions. Thanks to the framing kit and the matching cover plates, a gap-free installation - even in round walls - is guaranteed and unique.

Type options

- With round and rectangular cover plate



Required accessories	Order number
CONWELL shower heads DN20	see page 70
Framing kit without TD	CONR0122
Framing kit with TD	CONR0142
J-Y(St)Y cable, 2x2x0.8 mm	CONO220000
Key switch	see accessories
Power supply unit	CONO511000
Power supply unit alternative	CONO512000
CNX control centre	see CNX
Optional accessories	Order number
BLE Converter 2. Generation	CONO270000
Extension kit 30 mm	CONO670300

CONFLOW concealed shower, stainless steel, DN20



Round cover plate



Type: battery | 6 V lithium battery with a waterproof coating

Functions	Order number
Sanitary rinse	CONE2113281100



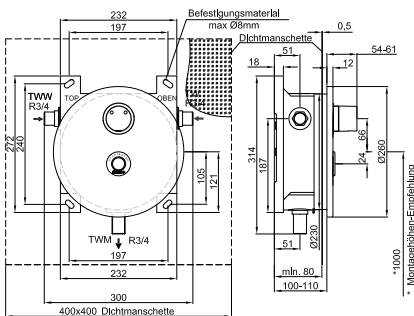
Type: mains | 12 V/DC series cabling for connection to power supply unit

Functions	Order number
Sanitary rinse	CONE2113281200
Sanitary rinse Thermal disinfection (electr.)	CONE2113281230



Type: CNX | 30 V/DC BUS cabling to CNX control centre

Functions	Order number
Sanitary rinse Cleaning stop	CONE2113281336
Sanitary rinse Cleaning stop Thermal disinfection CNX	CONE2113281360



Rectangular cover plate



Type: battery | 6 V lithium battery with a waterproof coating

Functions	Order number
Sanitary rinse	CONE2115281100



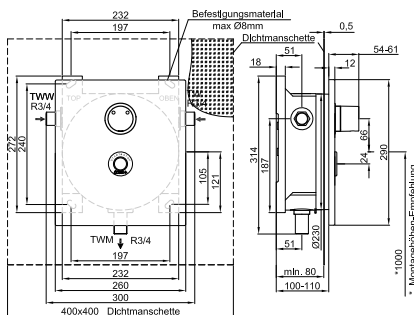
Type: mains | 12 V/DC series cabling for connection to power supply unit

Functions	Order number
Sanitary rinse	CONE2115281200
Sanitary rinse Thermal disinfection (electr.)	CONE2115281230



Type: CNX | 30 V/DC BUS cabling to CNX control centre

Functions	Order number
Sanitary rinse Cleaning stop	CONE2115281336
Sanitary rinse Cleaning stop Thermal disinfection CNX	CONE2115281360



Note:

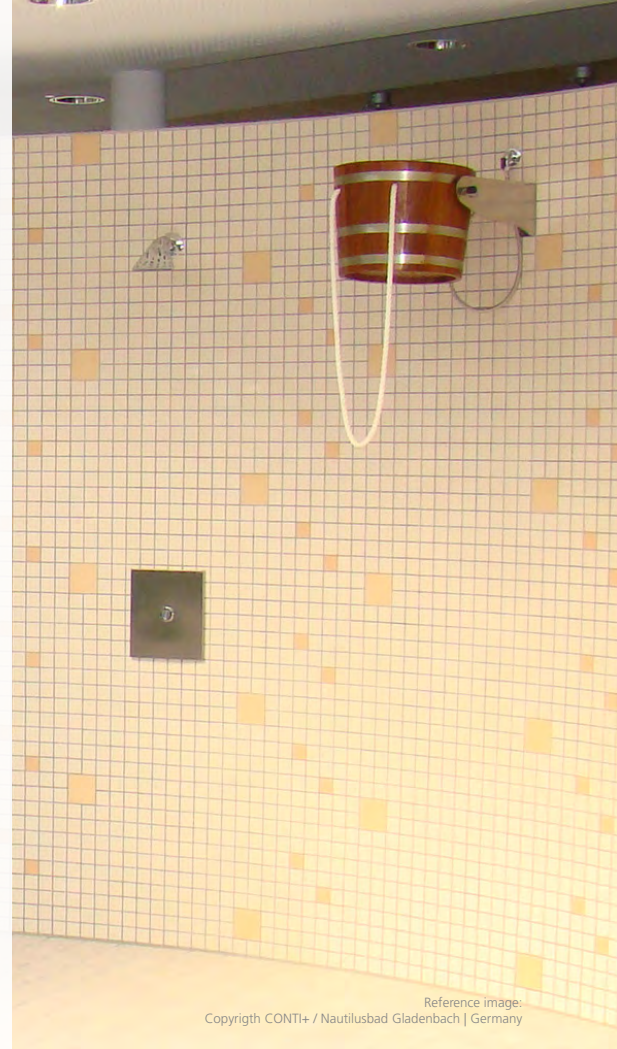
For the CNX version with thermal disinfection, the temperature sensor is already included in the scope of delivery.

CONTI+ CONFLOW

Concealed shower, piezo push button, DN20 – fully fitted kit

Fully fitted kit for electronic shower controls, designed as a concealed shower with DN20 nominal diameter. Without a mixer for connection to cold or premixed water. For new build and refurbishment projects in public, semi-public and commercial washrooms.

- Fully fitted kit with round or rectangular cover plate for concealed showers
- Concealed anti-theft proof fixing, robust 4-way locking system, condensation drain outlet
- Cover plate: 1.4301 stainless steel, all visible surfaces: brushed stainless steel
- Support frame for cover plate: ABS with EPDM seal
- Multifunctional tool for maintenance work
- Water path in sliding sleeve, for de-energised installation of the two simultaneously driven 6 V/DC ROBUST solenoid valves, bistable, DN15
- Electronic operation of the shower function via start/stop piezo push button; piezo push button: ring coloured blue, high-gloss chrome plated collar
- Water running time for the shower function can be adjusted
- Demand-dependent sanitary rinse triggered at intervals to prevent stagnation
- Can be controlled via the Service APP



Reference image:
Copyright CONTI+ / Nautilusbad Gladenbach | Germany

Technical data

Connection voltage (battery):	6 V/DC
Operating pressure:	1.5–5.0 bar
Water temperature in standard mode (max.):	70 °C
Flow rate DN20:	0.63 l/s
Water running time setting range (max.):	3–180 s
Water running time factory setting:	30 s
Sanitary rinse setting range:	12, 24 or 72 h, or can be disabled – all via piezo push button setting; other sanitary rinse intervals can be set via the Service APP
Sanitary rinse factory setting:	12 h after the water flow was last triggered, 30 s water running time
Electronic IP protection:	IP68
Round dimensions (ØxD):	260x12 mm
Rectangular dimensions (WxHxD):	260x290x12 mm

Type options

- With round and rectangular cover plate



CONWELL/CONHEAD shower heads DN 20



Downpour shower head DN20
CONO070001



Rain shower head DN20
CONH04231000250



Spiked shower head Ø 120 mm
CONH01231000120



Jet shower head DN20
CONH03130000003

CONFLOW concealed shower, stainless steel, DN20

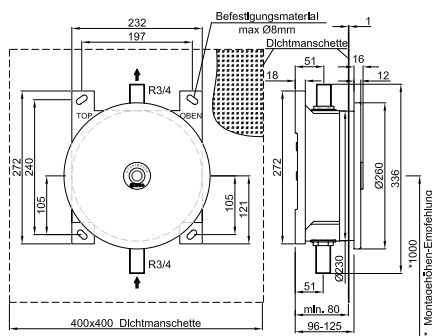
Round cover plate



Type: battery | 6 V lithium battery with a waterproof coating

Functions _____ Order number

Sanitary rinse _____ **CONE2110183100**



Water path:

The CONFLOW water path is unique in terms of the volume of water that can be passed through (DN20) and is suitable for connection to cold or premixed water in version without thermostat. The matching pipe installation set allows installation, shut-off of the inlets and maintenance directly from the front.

Showers electronic



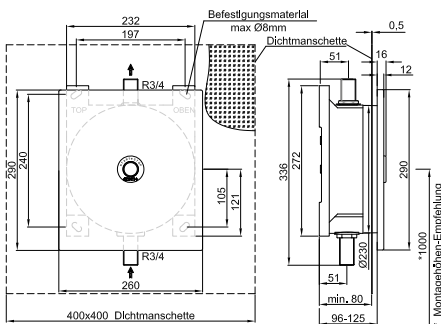
Rectangular cover plate



Type: battery | 6 V lithium battery with a waterproof coating

Functions _____ Order number

Sanitary rinse _____ **CONE2116133100**



Required accessories _____ Order number

CONWELL shower heads DN20 _____ see left

Framing kit _____ **CONR0121**

Optional accessories _____ Order number

BLE Converter 2. Generation _____ **CONO270000**

Extension kit 30 mm _____ **CONO414310**

CONTI+ CONBASE

Shower panel, piezo switch, DN15



Electronic shower faucet designed as shower panel in nominal diameter DN15. For connection to premixed water. For new build and refurbishment projects in public, semi-public and commercial washrooms.

- Cover and mounting angles made of stainless steel 1.4301
- All visible surfaces: brushed stainless steel
- Water path with 6 V/DC ROBUST solenoid valve, bistable
- Electronic operation of the shower function via piezo switch with start/stop function; Piezo switch: colour ring red, rosette high-gloss chrome-plated
- The water flow time of the shower function is easily adjustable.
- Connection possible from above or from rear
- The water flow time of the shower function is easily adjustable.
- Interval hygiene flush to prevent stagnation
- Control possible via the Service APP



Technical data

Supply voltage (battery):	6 V/DC
Supply voltage (mains):	12 V/DC
Operating pressure:	1.5–5.0 bar
Water temperature in standard mode (max.):	70 °C
Flow rate DN15:	0.15 l/s (Flow rate controller)
Water running time setting range (max.):	3–180 s
Water running time factory setting:	30 s
Sanitary rinse setting range:	12, 24 or 72 h, or can be disabled – all via piezo push button setting; other sanitary rinse intervals can be set via the Service APP
Sanitary rinse factory setting:	12 h after the water flow was last triggered, 30 s water running time
Electronic IP protection:	IP68
Dimensions: (WxHxD):	110x1370x60 mm

Required accessories	Order number
CONHEAD shower heads for shower panel	
J-Y(St)Y cable, 2x2x0.8 mm	CONO220000
 Power supply unit	CONO511000
 Power supply unit alternative	CONO512000
Optional accessories	Order number
BLE Converter 2. Generation	CONO270000



CONBASE shower panel, stainless steel



Type: battery | 6 V lithium battery with a waterproof coating

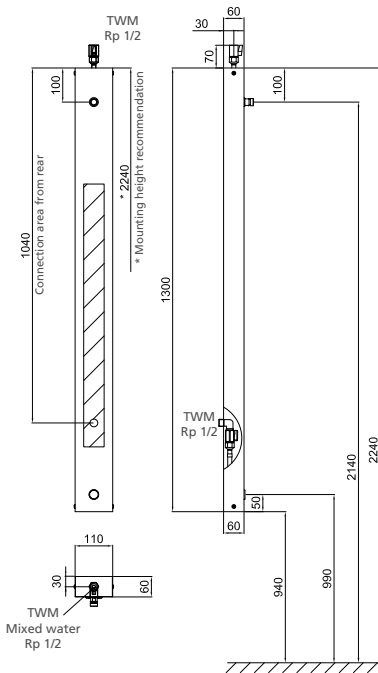
Function	Order number
Hygienic flush	CONE0110173106



Type: mains | 12 V/DC series cabling for connection to power supply unit

Function	Order number
Hygienic flush	CONE0110173206

Showers
electronic



CONHEAD shower heads for shower panel



SHORTY
CONO030010



RAIN2
CONO020010



GOLF
CONO010010



CITY
CONO050010



VESUV
CONO060010

Illustrated example with
CONHEAD rain shower head RAIN2.

CONTI+ CONBASE

Concealed shower, piezo push button, DN15 – fully fitted kit

Fully fitted kit for electronic shower controls, designed as a concealed shower with DN15 nominal diameter. Without a mixer for connection to cold or premixed water. For new build and refurbishment projects in public, semi-public and commercial washrooms.

- Fully fitted kit with round or rectangular cover plate for concealed showers
- Concealed anti-theft proof fixing, robust 4-way locking system, condensation drain outlet
- Cover plate: 1.4301 stainless steel, all visible surfaces: brushed stainless steel
- Support frame for cover plate: ABS with EPDM seal
- Multifunctional tool for maintenance work
- Water path in sliding sleeve, for de-energised installation of the 6 V/DC ROBUST solenoid valve, bistable, DN15
- Electronic operation of the shower function via start/stop piezo push button; piezo push button: ring coloured blue, high-gloss chrome plated collar
- Water running time for the shower function can be adjusted
- Demand-dependent sanitary rinse triggered at intervals to prevent stagnation
- Can be controlled via the Service APP
- Can be integrated into the CNX water management system



Reference images
Copyright CONTI+ / Nautilusbad Glauchbach | Germany

Technical data

Connection voltage (battery):	6 V/DC
Connection voltage (mains):	12 V/DC
Operating pressure:	1.5–5.0 bar
Water temperature in standard mode (max.):	70 °C
Flow rate DN15:	0.15 l/s
Water running time setting range (max.):	3–180 s
Water running time factory setting:	30 s
Sanitary rinse setting range:	12, 24 or 72 h, or can be disabled – all via piezo push button setting; other sanitary rinse intervals can be set via the Service APP
Sanitary rinse factory setting:	12 h after the water flow was last triggered, 30 s water running time
Electronic IP protection:	IP68
Round dimensions (ØxD):	260x12 mm
Rectangular dimensions (WxHxD):	260x290x12 mm



Water path:

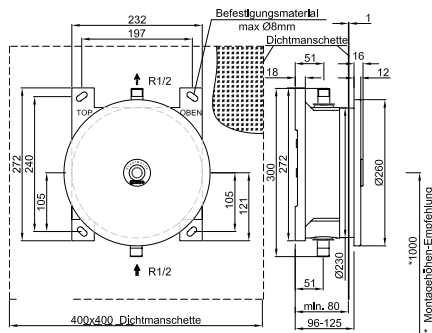
Minimal, versatile, robust and operationally reliable: based on the CONBASE water path, it is a big hit even in mini format thanks to its 3/4 inch connection with DN20 nominal diameter. Triggered by water hydraulics, it is ideal for use even where space is tight in refurbishment and new build projects.

Type options



- With round or rectangular cover plate

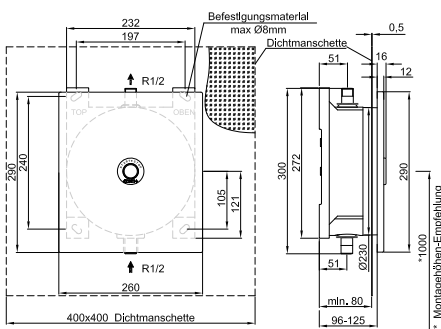


CONBASE concealed shower, stainless steel, DN15





Round cover plate



	Type: battery 6 V lithium battery with a waterproof coating	Functions	Order number
		Sanitary rinse	CONE2110173100
	Type: mains 12 V/DC series cabling for connection to power supply unit	Functions	Order number
		Sanitary rinse	CONE2110173200



Rectangular cover plate

	Type: battery 6 V lithium battery with a waterproof coating	Functions	Order number
		Sanitary rinse	CONE2115133100
	Type: mains 12 V/DC series cabling for connection to power supply unit	Functions	Order number
		Sanitary rinse	CONE2115133200



Required accessories	Order number
CONHEAD shower heads for wall mounting	
CONHEAD hand shower kit	CONO040000
Wall elbow connector for hand shower kit	CONO092000
Framing kit	CONR0111
J-Y(St)Y cable, 2x2x0.8 mm	CONO220000
 Power supply unit	CONO511000
 Power supply unit alternative	CONO512000

Optional accessories	Order number
BLE Converter 2. Generation	CONO270000
Extension kit 30 mm	CONO414310

CONHEAD shower heads for wall mounting

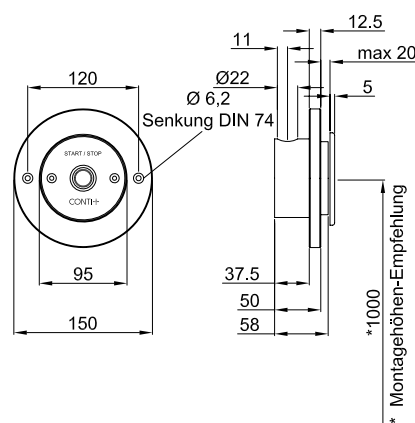
				
SHORTY CONO030000	RAIN2 CONO020000	GOLF CONO010000	CITY CONO050000	VESUV CONO060000

CONHEAD hand shower kit
CONO040000

CONBASE SLIM shower, concealed, chrome plated, round, piezo push button, DN15 | DN20

Fully fitted kit for electronic shower controls, designed as a concealed shower. Without a mixer for connection to cold or premixed water. For new build and refurbishment projects in public, semi-public and commercial washrooms.

- Fully fitted kit with round cover plate for concealed showers
- Cover plate: chrome plated, two countersunk screws for fixing in place
- Electronic operation of the shower function via start/stop piezo push button; piezo push button: ring coloured red and blue
- Water running time for the shower function can be adjusted
- Demand-dependent sanitary rinse triggered at intervals to prevent stagnation
- Can be controlled via the Service APP (BLE Converter must be ordered separately)
- Can be integrated into the CNX water management system (CNX Converter must be ordered separately)



Technical data

Connection voltage (battery):	6 V/DC
Connection voltage (mains):	12 V/DC
Operating pressure:	1.5–5.0 bar
Water temperature in standard mode (max.):	70 °C
Flow rate DN15:	0.15 l/s
Flow rate DN20:	0.63 l/s
Water running time setting range (max.):	3–180 s
Water running time factory setting:	30 s
Sanitary rinse setting range:	12, 24 or 72 h, or can be disabled – all via piezo push button setting; other sanitary rinse intervals can be set via the Service APP
Sanitary rinse factory setting:	12 h after the water flow was last triggered, 30 s water running time
Electronic IP protection:	IP68
Dimensions (ØxD):	95x5 mm

Type options

- Water path with DN15 nominal diameter: one 6 V/DC ROBUST solenoid valve, bistable, for installation in the water path, connection distributor
- Water path with DN20 nominal diameter: two 6 V/DC ROBUST solenoid valves, bistable, for installation in the water path, connection distributor

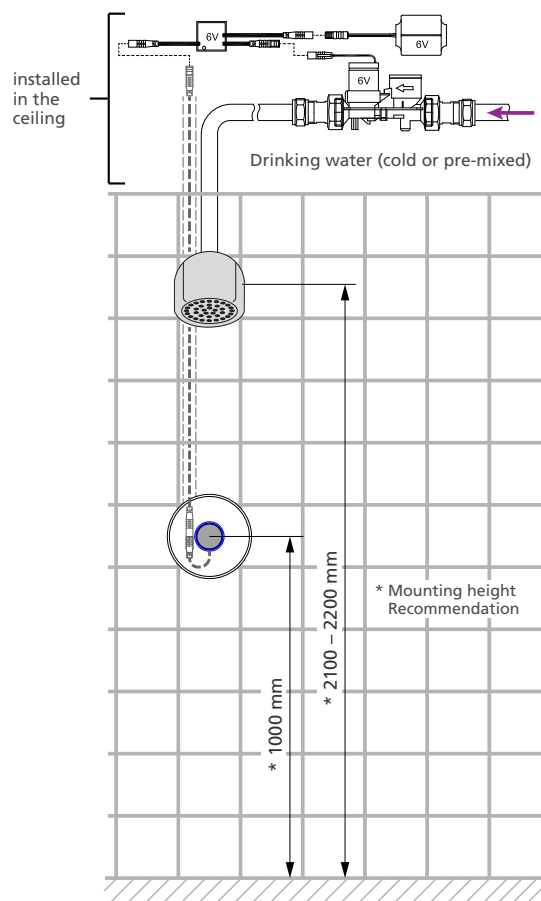


Type: battery | 6 V lithium battery with a waterproof coating



Functions	Order number
DN15 Sanitary rinse	CONE2150171100
DN20 Sanitary rinse	CONE2150181100

Type: mains | 12 V/DC series cabling for connection to power supply unit

Functions	Order number
DN15 Sanitary rinse	CONE2150171200





Required accessories	Order number
CONHEAD DN15 shower heads for wall mounting	
CONWELL DN20 shower heads	see page 70
CONHEAD hand shower kit	CONO040000
Wall elbow connector with hand shower kit	CONO092000
Framing kit DN15	CONR3111
Framing kit DN20	CONR3121
J-Y(St)Y cable, 2x2x0.8 mm	CONO220000
 Power supply unit for mains version	CONO511000
 Alternative power supply unit	CONO512000
Optional accessories	Order number
BLE Converter 2. Generation	CONO270000



Water path:

Simple and reliable in operation, the SLIM based on the CONBASE water path for cold or premixed water in DN15 and the special feature of DN20 water flow.

The high-quality brass piping can be mounted on the wall/ceiling with the matching CONBOX SLIM mounting set. Maintenance can be carried out from the front without removing the water path.

CONTI+ CONBASE SLIM

CONBASE SLIM exposed, stainless steel, piezo push button, DN15

Showers
electronic

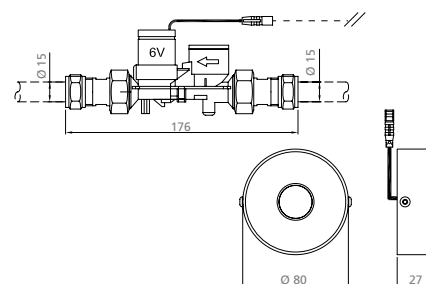
Electronic shower control, designed as exposed version. Without a mixer, for connection to cold or premixed water. For new build and refurbishment projects in public, semi-public and commercial washrooms.

- Water line for installation in suspended ceiling
- Cover: 1.4301 stainless steel, all visible surfaces: brushed stainless steel
- Water path with 6 V/DC ROBUST solenoid valve, bistable, DN15
- Electronic operation of the shower function via start/stop piezo push button; piezo push button: ring coloured red
- Water running time for the shower function can be adjusted
- Demand-dependent sanitary rinse triggered at intervals to prevent stagnation
- Can be controlled via the Service APP (BLE Converter must be ordered separately)
- Can be integrated into the CNX water management system (CNX Converter must be ordered separately)



Technical data

Connection voltage (battery):	6 V/DC
Connection voltage (mains):	12 V/DC
Operating pressure:	1.5 – 5.0 bar
Water temperature in standard mode (max.):	70 °C
Flow rate DN15:	0.15 l/s
Water running time setting range (max.):	3 – 180 s
Water running time factory setting:	30 s
Sanitary rinse setting range:	12, 24 or 72 h, or can be disabled – all via piezo push button setting; other sanitary rinse intervals can be set via the Service APP
Sanitary rinse factory setting:	12 h after the water flow was last triggered, 30 s water running time
Connection:	IG 3/8
Electronic IP protection:	IP68
Dimensions (ØxD):	80x27 mm



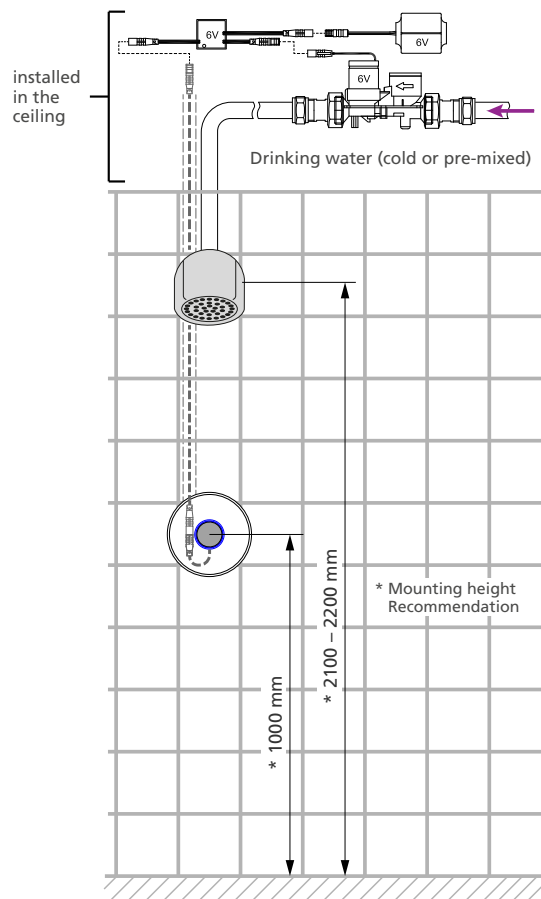
Type: battery | 6 V lithium battery with a waterproof coating

Functions	Order number
Sanitary rinse	CONE3110173100

Type: mains | 12 V/DC Netzgerät

Functions	Order number
Sanitary rinse	CONE3110173200

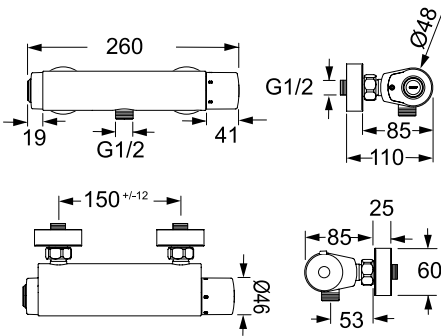
Required accessories	Order number
CONHEAD shower heads or hand shower kit for wallmounting	
Power supply unit for mains version	CONO511000
Alternative power supply unit	CONO512000



tipolino D35 exposed shower, chrome plated, thermostat, piezo push button, DN15



- Robust design, chrome plated brass faucet body
- Microprocessor electronics; functionally reliable 6 V/DC ROBUST solenoid valve, bistable (with low water pressure protection)
- Start/stop button (piezo)
- Functionally reliable thermostatic cartridge with anti-scald and auto-thermal protection
- 12, 24 or 48-hour sanitary rinse (activated via start/stop button)
- 3/4" S connections and collars included (shut-off device optional)



Downward outlet



Type: battery | 6 V lithium battery with a waterproof coating

Functions	Order number
Sanitary rinse	110.405.11
Required accessories	Order number
CONHEAD hand shower kit	CONO040000



Upward outlet bend

Incl. outlet bend for trimming to size and screw fittings, all materials used are in accordance with the requirements of the German Drinking Water Ordinance and the generally accepted technology standards in this field.

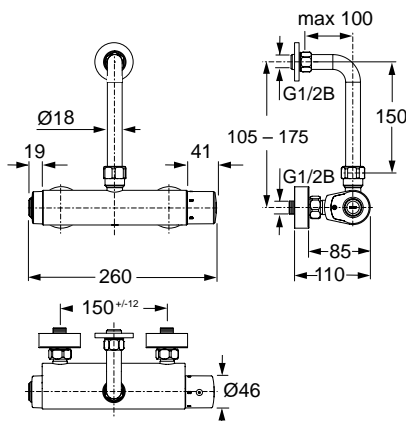


Type: battery | 6 V lithium battery with a waterproof coating

Functions	Order number
Sanitary rinse	110.406.11

Required accessories

CONHEAD shower heads



Technical data

Operating pressure:	0.3 – 10.0 bar
Flow rate:	approx. 12 l/min
Water temperature (max.):	80 °C
Strainer:	0.3 mm mesh width
Water running time:	Preset to 45 s (adjustable to 2 – 120 s with function key)
Sanitary rinse setting range:	12, 24 or 72 h, or can be disabled – all via piezo push button setting
Sanitary rinse factory setting:	disabled; sanitary rinse interval and water running time adjustable once enabled
Standards:	DIN EN 200; CE



CONTI+ CONFREE freestanding showers

CONFREE freestanding stainless steel shower, straight, piezo push button, DN15

Electronic shower control, stainless steel freestanding housing, triggering via piezo push button, with demand-dependent and adjustable sanitary rinse, for connection to cold or mixed water, for freestanding installation.

- Piezo push button: ring coloured blue, high-gloss chrome plated collar
- Battery: lithium 6 V, waterproof sealed, with power cord and plug-in connector
- 6 V/DC ROBUST solenoid valve, bistable, cartridge design, with power cord and connector plug
- Plug-in connection for shower head mounting, with integral 0.15 l/s flow rate controller, chrome plated
- Freestanding housing: made of V4A, 1.4404 stainless steel, brushed finish, with a large, waterproof inspection panel for easy installation and maintenance, with a stable base flange, with four mounting holes

Basic functions:

- Water running time: 30 s factory setting (3 – 180 s), with start/stop function
- Sanitary rinse: 12 h / 30 s (factory setting) after last actuation (can be set to 12, 24, 72 h or disabled)

Technical data

Connection:	Connection fitting (compression coupling) for PE pipe, Ø 25 mm
Connection voltage:	6 V/DC
Operating pressure:	1.0–5.0 bar
Flow rate:	0.15 l/s
IP protection:	IP68 (electronic components)

Dimensions (WxHxD):	220x2250x110 mm
Base flange (WxHxD):	210x320x10 mm



Type: battery | 6 V lithium battery with a waterproof coating

Functions	Order number
Basic type	CONE5418123100
With faucet	CONE5518123100
With frost protection circuit	CONE5618123100

Required accessories

CONHEAD shower heads for shower panel mounting	see below
Power supply unit (Only for frost protection line)	CONO580000

Optional accessories

Optional accessories	Order number
CONFREE base plate, rectangular design	CONO650000
CONFREE protective cover, rectangular design	CONO651000



SHORTY
CONO030010



RAIN2
CONO020010



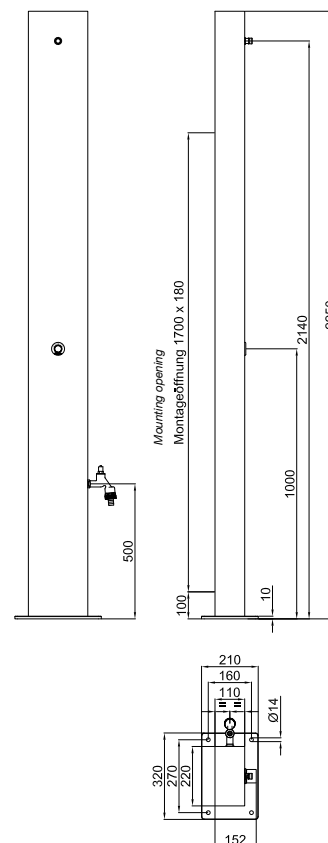
GOLF
CONO010010



CITY
CONO050010



VESUV
CONO060010



CONFREE freestanding stainless steel shower, curved, piezo push button, DN15

Electronic shower control, stainless steel freestanding housing, triggering via piezo push button, with demand-dependent and adjustable sanitary rinse, CONHEAD MAXI jet shower head, for connection to cold or mixed water, for freestanding installation.

- Piezo push button: ring coloured red, high-gloss chrome plated collar
- Battery: lithium 6 V, waterproof sealed, with power cord and plug-in connector
- 6 V/DC ROBUST solenoid valve, bistable, cartridge design, with power cord and connector plug
- Thermostatic mixer faucet, solid design, brass housing and actuating element, with safety lock and fixed end-stop, with integral non-return valves (DVGW-certified) and stainless steel strainers, temperature setting range 10 – 50 °C, with the option of performing manual thermal disinfection, chrome plated
- CONHEAD MAXI jet shower head: fixed, heavy, solid brass design, with three single-jet nozzles, low maintenance, low aerosol, chrome plated, included in the standard delivery
- Freestanding housing: made of V4A, 1.4404 stainless steel, brushed finish, with a large, waterproof inspection panel for easy installation and maintenance, with a stable base flange, with four mounting holes

Basic functions:

- Water running time: 30 s factory setting (3 – 180 s), with start/stop function
- Sanitary rinse: 12 h/30 s (factory setting) after last actuation (can be set to 12, 24, 72 h or disabled)

Technical data

Connection:	Connection fitting (compression coupling) for PE pipe, Ø 25 mm
Connection voltage:	6 V/DC
Operating pressure:	1.0–5.0 bar
IP protection:	IP68 (electronic components)
Dimensions (WxHxD):	220x2250x465 mm
Projection:	120/2100 mm
Flow angle:	16°
Base flange (WxHxD):	320x210x10 mm

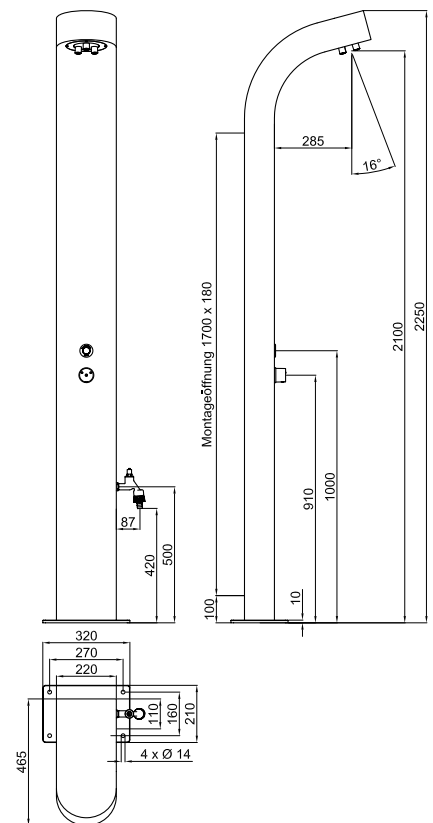


Type: battery | 6 V lithium battery with a waterproof coating

Functions	Order number
Basic type	CONE5118221100
With faucet	CONE5218221100
With frost protection circuit	CONE5318221100
Polished stainless steel	on request
Required accessories	Order number
Power supply unit (Only for frost protection line)	CONO580000
Optional accessories	Order number
CONFREE base plate, rectangular design	CONO650000
CONFREE protective cover, rectangular design	CONO651000

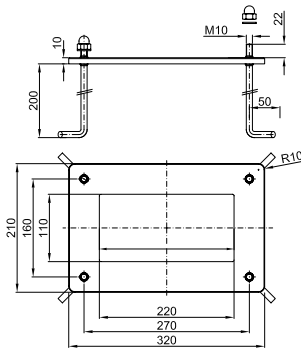


Showers electronic





CONFREE accessories, straight and curved design



Base plate CONFREE, 320x210x210 mm

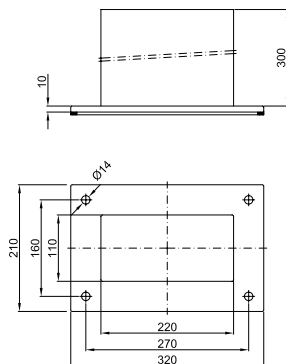
As a mounting platform for CONFREE freestanding showers, straight and curved design.

Includes:

- Base plate, with four M 10 concrete anchor bolts, cap nuts and washers made of 1.4571 stainless steel

Dimensions (WxHxD): 320x210x210 mm

Description	Order number
CONFREE Base plate	CONO650000

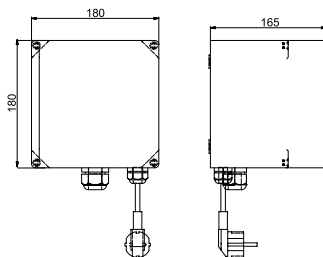


Protective cover CONFREE, 320x210x300 mm

Winter protection cover for dismantled CONFREE freestanding showers made of stainless steel, material 1.4301.

Dimensions (WxHxD): 320x210x300 mm

Description	Order number
CONFREE Protective cover	CONO651000



CONFREE power supply unit 24 V/DC, 10 A, as mains power supply

For CONFREE freestanding shower with 24 V/DC frost protection circuit.

Includes:

- 24 V/DC power supply unit, 10 A, in IP66 protective housing, with mains plug for connecting to 230 V / 50 Hz, with 2 m power cord for safety plug, for on-site mounting

Mains voltage: 230 V / 50 Hz

Connection voltage: 24 V/DC

Dimensions (WxHxD): 180x180x165 mm

Description	Order number
CONFREE Power supply unit, 24 V/DC, 10 A	CONO580000

Note:

Power supply equipped with fused plug, use an adapter if necessary.

CONTI+ CONFREE freestanding showers

CONFREE freestanding stainless steel shower, pipe design, piezo push button, DN15

Electronic shower control, stainless steel freestanding housing, triggering via piezo push button, with demand-dependent and adjustable sanitary rinse, CONHEAD MAXI jet shower head, for connection to cold or mixed water, for freestanding installation.

- Piezo push button: ring coloured blue, high-gloss chrome plated collar
- Battery: lithium 6 V, waterproof sealed, with power cord and plug-in connector
- 6 V/DC ROBUST solenoid valve, bistable, cartridge design, with power cord and connector plug
- CONHEAD MAXI jet shower head: fixed, heavy, solid brass design, with three single-jet nozzles, low maintenance, low aerosol, chrome plated
- Freestanding housing: made of V4A, 1.4404 stainless steel, brushed finish, with a large, waterproof inspection panel for easy installation and maintenance, with a stable base flange and three mounting holes
- Connection: fitting (compression coupling) for PE pipe, Ø 25 mm
- Pipe design

Basic functions:


- Water running time: 30 s factory setting (3 – 180 s), with start/stop function
- Sanitary rinse: 12 h/30 s (factory setting) after last actuation (can be set to 12, 24, 72 h or disabled)

Technical data

Connection:	Connection fitting (compression coupling) for PE pipe, Ø 25 mm
Connection voltage:	6 V/DC
Operating pressure:	1.0–5.0 bar
Flow rate:	0.15 l/s
IP protection:	IP68 (electronic components)

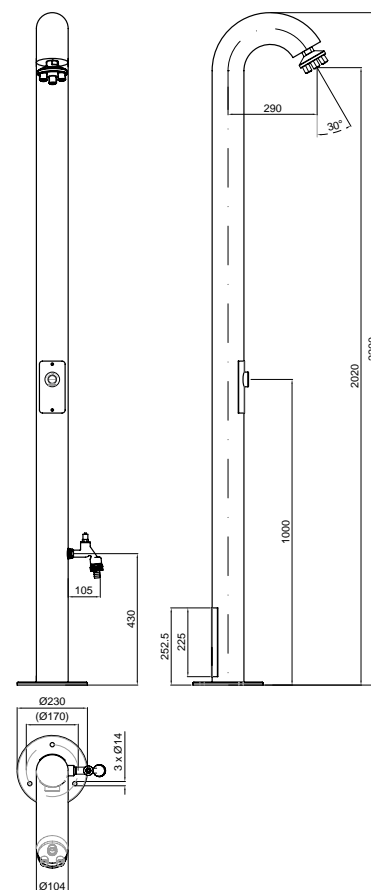
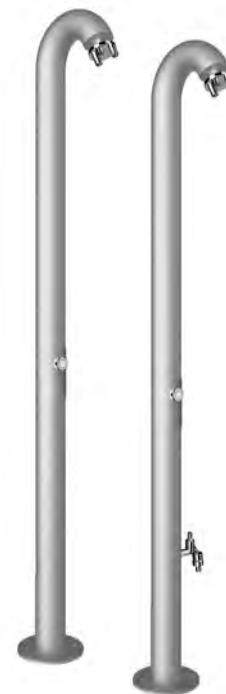
Dimensions (ØxH):	104x2200 mm
Base flange (ØxH):	230x10 mm



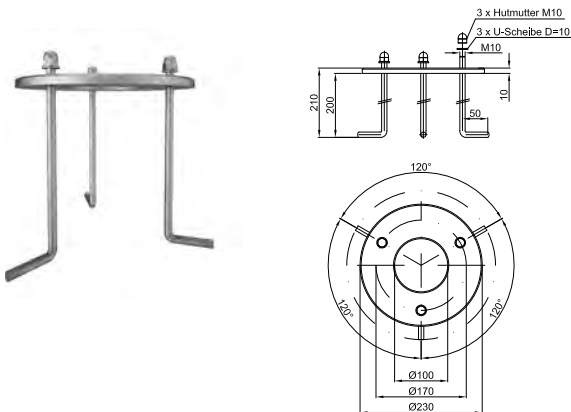
 **Type: battery** | 6 V lithium battery with a waterproof coating

Functions	Order number
Basic type	CONE5118173100
With faucet	CONE5218173108

Optional accessories	Order number
CONFREE base plate, pipe design	CONO650010
CONFREE protective cover, pipe design	CONO651010



CONFREE accessories, pipe design



Base plate, pipe design, 120°, Ø 230x210 mm

As a mounting platform for CONFREE pipe freestanding showers.

Includes:

- Base plate, with three M 10 concrete anchor bolts, cap nuts and washers made of 1.4571 stainless steel

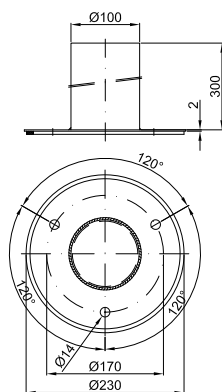
Dimensions (ØxH): 230x210 mm

Description

Order number

Base plate CONFREE pipe design

CONO650010



Protective cover, pipe design, 120°, Ø 230x300 mm

Winter protection cover for dismantled CONFREE freestanding showers made of stainless steel, material 1.4301.

Dimensions (ØxH): 230x300 mm

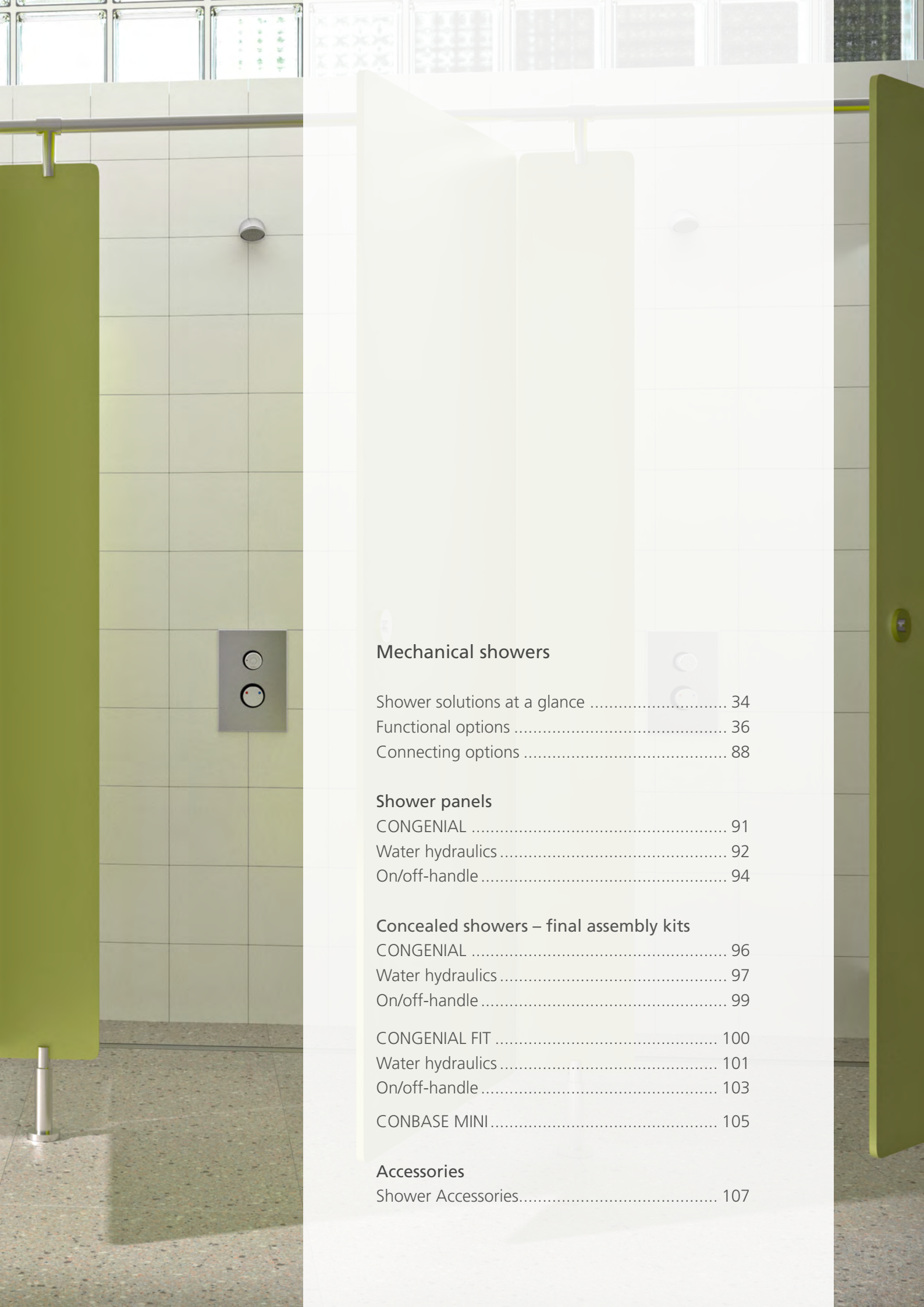
Description

Order number

Protective cover CONFREE pipe design

CONO651010





Mechanical showers

Shower solutions at a glance	34
Functional options	36
Connecting options	88

Shower panels

CONGENIAL	91
Water hydraulics	92
On/off-handle	94

Concealed showers – final assembly kits

CONGENIAL	96
Water hydraulics	97
On/off-handle	99
CONGENIAL FIT	100
Water hydraulics	101
On/off-handle	103
CONBASE MINI	105

Accessories

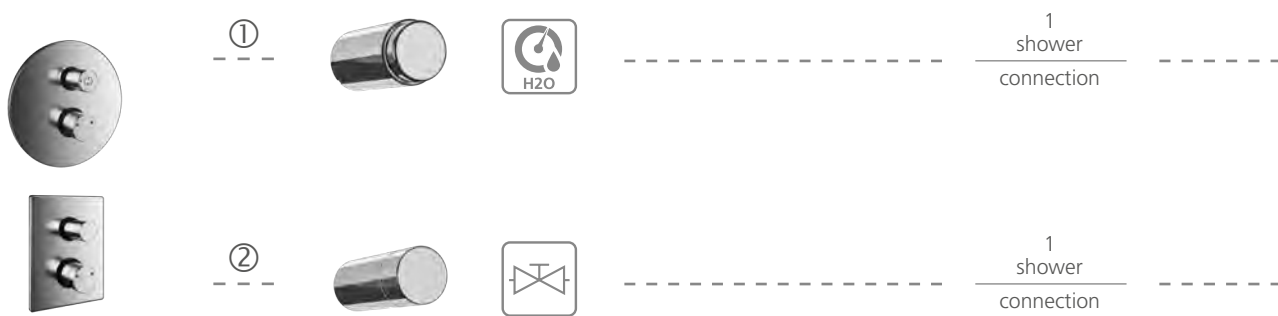
Shower Accessories.....	107
-------------------------	-----

RELIABLE & INNOVATIVE

Approved and Upgrade Functional – Mechanical Showers

Showers
mechanical

CONTI+ CONGENIAL water hydraulics | on/off handle



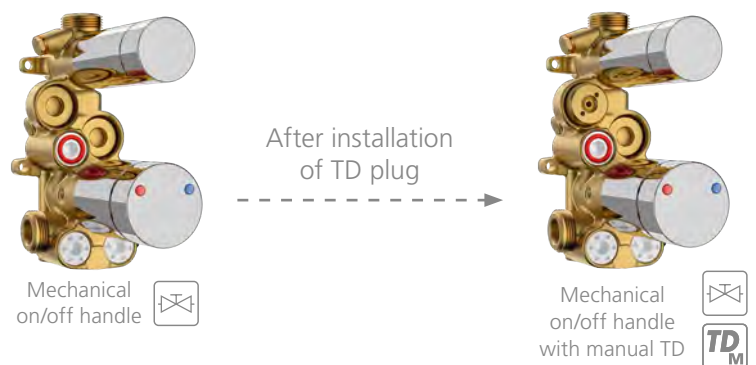
Based on the CONTI+ adaptive multifunctional CONGENIAL water path

Flexible enhancement of operating and hygiene functions

Example: hygiene upgrade

The mechanical standard model can be converted to the version with manual thermal disinfection in just a few easy steps.

Manual thermal disinfection is then triggered directly for each shower by opening the TD plug by hand with a 3 mm hexagon key.



Water hydraulics | ①

Smooth, water-hydraulic automatic shut-off with adjustable water running time

Manual TD plug upgrade



Manual TD plug Upgrade to thermal disinfection solution

On/off handle | ②

Manual on and off handle (without automatic shut-off) with thermostatic mixer

Upgrade with retrofit set



Solenoid valve Upgrade to electronic thermal disinfection solution, see retrofit kit CONO321000

Example: operational upgrade

By installing our CONTI+ 6 V/DC ROBUST solenoid valve, the mechanical version can be upgraded to an electronic type with battery operation including sanitary rinse and additional manual thermal disinfection.



Mechanical on/off handle

After installation of solenoid valve and TD plug, as applicable



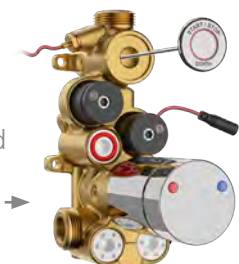
Electronic, battery with manual TD

The electronic version can be upgraded to function with the CONTI+ CNX water management system by installing a second CONTI+ 6 V/DC ROBUST solenoid valve and additional accessories. This meets even the most demanding hygiene requirements – including electronic thermal disinfection.



Electronic, battery with manual TD

After installation of a cable and a second solenoid valve



Electronic, battery with electronic TD

CONGENIAL water path

Comprehensive, adaptive and multifunctional

CONTI+ CONGENIAL – high-quality solution with functions for every shower area.

With the CONGENIAL shower series and the CONTI+ CONGENIAL adaptive multifunctional water path, you will always make the right decision for your electronic or mechanical shower room. Intelligent technologies help to sustainably reduce water and energy consumption. In addition, robust and easy to clean materials reduce personnel and storage costs. Last but not least, impeccable hygiene and simple and safe operation also play an important role in an unforgettable shower experience. Due to the many conversion and upgrade options, numerous variants for expanding and changing the shower and service functionalities are available in the short, medium and long term – CONGENIAL offers conversion options in all directions.

Shower
mechanical

CONTI+ water hydraulics



Durable technology with simple operation



- Shower panel version: stainless steel or acrylic composite housing
- With or without seamlessly integrated shower niche
- Concealed shower version: stainless steel/chrome plated stainless steel, two different sizes (CONTI+ CONGENIAL or CONGENIAL FIT) in round or rectangular design
- Different shower heads including rain shower heads or hand showers
- Automatic water running time limit (between 3 and 30 seconds)
- Optional: thermal sanitary rinse (thermal disinfection)
- Conversion to electronic activation via piezo push button



CONTI+ on/off handle



Simple system for safe operation



- Shower panel version: stainless steel or acrylic composite housing
- With or without seamlessly integrated shower niche
- Concealed shower version: stainless steel/chrome plated stainless steel, two different sizes (CONTI+ CONGENIAL or CONGENIAL FIT) in round or rectangular design
- Different shower heads including rain shower heads or hand showers
- Optional: thermal sanitary rinse (thermal disinfection)
- Conversion to electronic activation via piezo push button



CONTI+ CONGENIAL

Shower panel, thermostat, mechanical, DN15

Mechanical shower control, designed as a shower panel with nominal diameter DN15. With thermostatic mixer for connection to cold and hot water. For new build and refurbishment projects in public, semi-public and commercial washrooms.

- Shower panel, stainless steel or acrylic composite, designed with mounting frame for the water path, fixing hardware included
- Mounting frame: 1.4301 stainless steel
- Connection from above or behind
- Multifunctional tool for maintenance work
- CONGENIAL adaptive multifunctional water path with manual TD plug for thermal disinfection function
- Upgrade and conversion functionalities
- Faucet body: dezincification-resistant pressed brass, as high grade thermostatic mixer faucet, thermostat handle: chrome plated brass
- Visible components made from solid, high-gloss chrome plated brass, with safety stop
- Choice of temperature setting range
- Integral non-return valves in the bypass and non-return valves and strainer cartridges for water paths
- All working parts removable without dismantling the faucet body during maintenance work
- Mechanical operation of the shower function via automatic shut-off push button driven by water hydraulics or via on/off handle
- Water running time for the shower function can be adjusted



Technical data

Operating pressure: 1.5–5.0 bar

Water temperature in standard mode (max.): 70 °C

Water temperature for thermal disinfection: Briefly 80 °C for thermal disinfection

Flow rate DN15: 0.15 l/s (Flow rate controller)









Water running time setting range: 3–30 s (Water hydraulics)

Water running time factory setting: 30 s

Stainless steel dimensions (WxHxD): 220x1400x80 mm

Acrylic composite dimensions (WxHxD): 220x1410x85 mm

Type options

- Water hydraulics    
- On/off handle    
- Cover plate optionally round or rectangular shape
- With or without seamlessly integrated shower niche
- For shower head mounting or hand shower kit
- Cover extension available

CONGENIAL acrylic composite shower panel, water hydraulics



Showers
mechanical



for shower head mounting

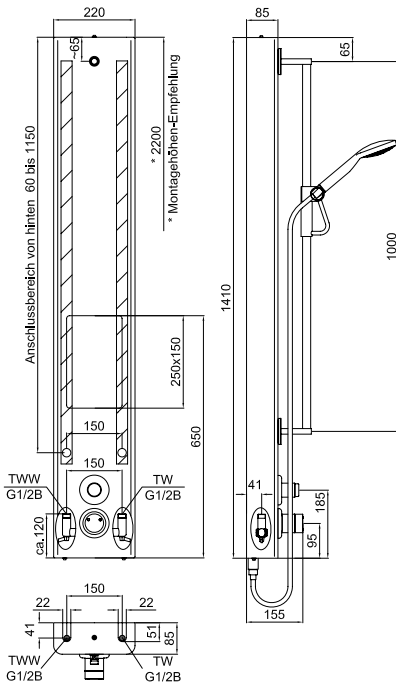


Features	Order number
Adjustable water running time	CONM0131214000
Adjustable water running time thermal disinfection (manual)	CONM0131214002
Adjustable water running time with seamlessly integrated shower niche	CONM0132214000
Adjustable water running time thermal disinfection (manual) with seamlessly integrated shower niche	CONM0132214002

for hand shower kit



Features	Order number
Adjustable water running time	CONM0231214000
Adjustable water running time thermal disinfection (manual)	CONM0231214002
Adjustable water running time with seamlessly integrated shower niche	CONM0232214000
Adjustable water running time thermal disinfection (manual) with seamlessly integrated shower niche	CONM0232214002



Required accessories	Order number
CONHEAD shower heads for shower panels	see below right
CONHEAD hand shower kit	CONO040010

Optional accessories	Order number
Connection kit	CONO670010
Acrylic composite, precise-fit cover extension (clear span of 65 mm or more)	CONO661000
Thermal disinfection (electronic) (appropriate wiring/power supply unit and key switch required), see Accessories section	CONO321000

CONGENIAL stainless steel shower panel, water hydraulics



for shower head mounting

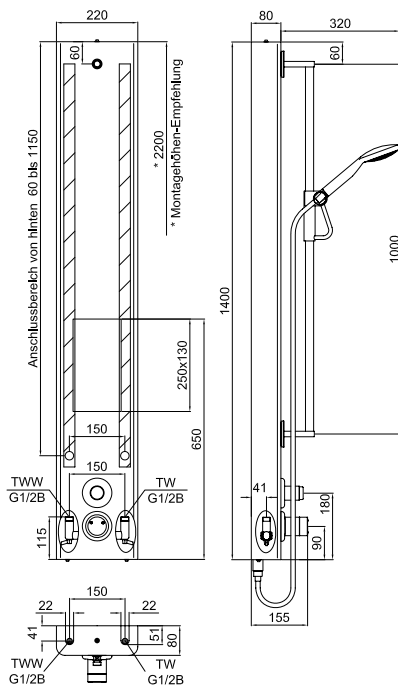


Features	Order number
Adjustable water running time	CONM0111214000
Adjustable water running time thermal disinfection (manual)	CONM0111214002
Adjustable water running time with seamlessly integrated shower niche	CONM0112214000
Adjustable water running time thermal disinfection (manual) with seamlessly integrated shower niche	CONM0112214002

for hand shower kit



Features	Order number
Adjustable water running time	CONM0211214000
Adjustable water running time thermal disinfection (manual)	CONM0211214002
Adjustable water running time with seamlessly integrated shower niche	CONM0212214000
Adjustable water running time thermal disinfection (manual) with seamlessly integrated shower niche	CONM0212214002



Required accessories	Order number
CONHEAD shower heads for shower panels	see below
CONHEAD hand shower kit	CONO040010
Optional accessories	Order number
Connection kit	CONO670010
Stainless steel precise-fit cover extension (clear span of 65 mm or more)	CONO660000
Thermal disinfection (electronic) (appropriate wiring/power supply unit and key switch required), see Accessories section	CONO321000



CONHEAD hand shower kit
CONO040010

Illustrated example with CONHEAD rain shower head RAIN2.

CONHEAD shower heads for shower panels

SHORTY CONO030010	RAIN2 CONO020010	GOLF CONO010010	CITY CONO050010	VESUV CONO060010

CONGENIAL acrylic composite shower panel, on/off handle



Showers
mechanical



for shower head mounting

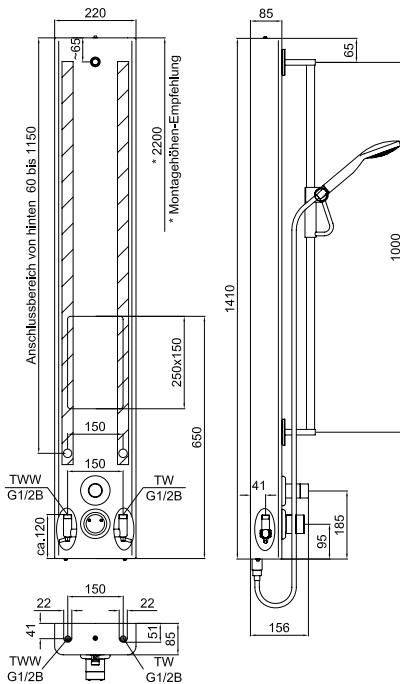


Features	Order number
Basic type	CONM0131216000
Thermal disinfection (manual)	CONM0131216002
Basic type with seamlessly integrated shower niche	CONM0132216000
Thermal disinfection (manual) with seamlessly integrated shower niche	CONM0132216002

for hand shower kit



Features	Order number
Basic type	CONM0231216000
Thermal disinfection (manual)	CONM0231216002
Basic type with seamlessly integrated shower niche	CONM0232216000
Thermal disinfection (manual) with seamlessly integrated shower niche	CONM0232216002



Required accessories	Order number
CONHEAD shower heads for shower panels	see below right
CONHEAD hand shower kit	CONO040010
Optional accessories	Order number
Connection kit	CONO670010
Acrylic composite, precise-fit cover extension (clear span of 65 mm or more)	CONO661000
Thermal disinfection (electronic) (appropriate wiring/power supply unit and key switch required), see Accessories section	CONO321000

CONGENIAL stainless steel shower panel, on/off handle

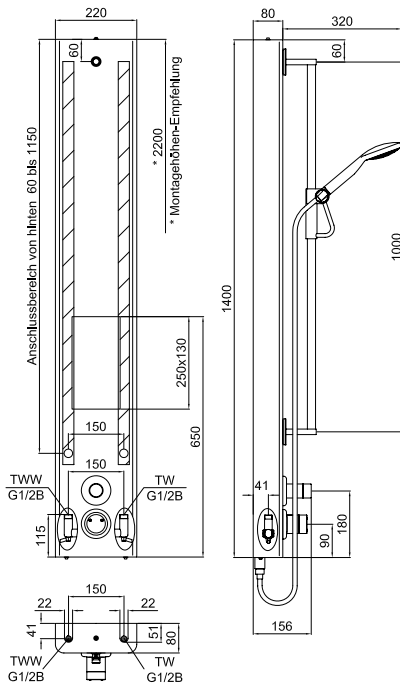


for shower head mounting

Features	Order number
Basic type	CONM0111216000
Thermal disinfection (manual)	CONM0111216002
Basic type with seamlessly integrated shower niche	CONM0112216000
Thermal disinfection (manual) with seamlessly integrated shower niche	CONM0112216002

for hand shower kit

Features	Order number
Basic type	CONM0211216000
Thermal disinfection (manual)	CONM0211216002
Basic type with seamlessly integrated shower niche	CONM0212216000
Thermal disinfection (manual) with seamlessly integrated shower niche	CONM0212216002



Required accessories	Order number
CONHEAD shower heads for shower panels	see below
CONHEAD hand shower kit	CONO040010
Optional accessories	Order number
Connection kit	CONO670010
Stainless steel precise-fit cover extension (clear span of 65 mm or more)	CONO660000
Thermal disinfection (electronic) (appropriate wiring/power supply unit and key switch required), see Accessories section	CONO321000

Illustrated example with CONHEAD rain shower head RAIN2.

CONHEAD shower heads for shower panels



CONHEAD hand shower kit
CONO040010

CONTI+ CONGENIAL

Concealed shower, thermostat, mechanical, DN15 – fully fitted kit









Fully fitted kit for mechanical shower controls, designed as a concealed shower with DN15 nominal diameter. With thermostatic mixer for connection to cold and hot water. For new build and refurbishment projects in public, semi-public and commercial washrooms.

- Fully fitted kit with round or rectangular cover plate for concealed showers
- Concealed anti-theft proof fixing, robust 4-way locking system, multiple sealing system with condensation drain outlet
- Cover plate: 1.4301 stainless steel, all visible surfaces: brushed stainless steel
- Support frame for cover plate: ABS with EPDM lip seal
- Apertures for function elements and thermostat, including EPDM sealing rings
- Multifunctional tool for maintenance work
- CONGENIAL adaptive multifunctional water path with manual TD plug for thermal disinfection function
- Upgrade and conversion functionalities
- Faucet body: dezincification-resistant pressed brass, as high grade thermostatic mixer faucet, thermostat handle: chrome plated brass
- Visible components made from solid, high-gloss chrome plated brass, with safety stop
- Choice of temperature setting range
- Integral non-return valves in the bypass and non-return valves and strainer cartridges for water paths
- All working parts removable without dismantling the faucet body during maintenance work
- Mechanical operation of the shower function via automatic shut-off push button driven by water hydraulics or on/off handle
- The water running time is infinitely adjustable

Technical data

Operating pressure:	1.5–5.0 bar
Water temperature in standard mode (max.):	70 °C
Water temperature for thermal disinfection:	briefly 80 °C for thermal disinfection
Flow rate DN15:	0.15 l/s (Flow rate controller)
Water running time setting range:	3–30 s (Water hydraulics)
Water running time factory setting:	30 s
Round dimensions (ØxD):	260x12 mm
Rectangular dimensions (WxHxD):	260x290x12 mm

Type options

- Water hydraulics    
- On/off handle    
- Cover plate optionally round or rectangular shape
- For shower head mounting or hand shower kit



Water path and fully fitted kit:

The mechanical CONTI+ CONGENIAL water path with a robust, generously sized and easy to service concealed box is particularly durable and reliable. Assembled with the required cover plate according to your needs, quick and simple installation is assured.

For more information on concealed boxes, functions and setup, please refer to page 50 in the "Electronic showers" section.

CONGENIAL stainless steel concealed shower, water hydraulics



Round cover plate



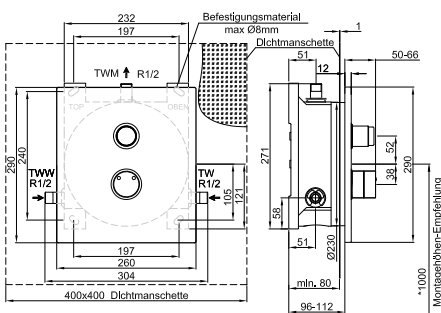
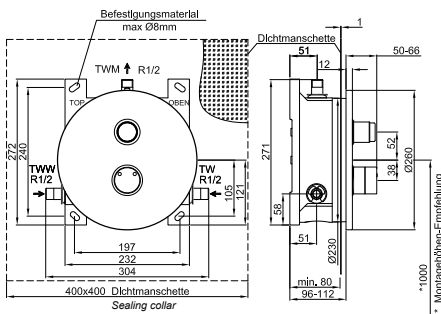
Functions	Order number
Adjustable water running time	CONM2113214000
Adjustable water running time thermal disinfection (manual)	CONM2113214020



Rectangular cover plate



Functions	Order number
Adjustable water running time	CONM2115214000
Adjustable water running time thermal disinfection (manual)	CONM2115214020



Required accessories	Order number
CONHEAD shower heads for wall mounting	see below
CONHEAD hand shower kit	CONO040000
Wall elbow connector	CONO092000
Framing kit	CONR0112
Framing kit alternative	CONR1112
Optional accessories	Order number
Thermal disinfection (electronic) (appropriate wiring/power supply unit and key switch required), see Accessories section	CONO321000
Extension kit 30 mm	CONO670400

CONHEAD shower heads for wall mounting



Service & solutions

Expert support with intelligent concepts

CONTI+ – unbeatable partner for concepts, solutions and comprehensive service offerings

Hygienic, smart shower room and washroom concepts to improve quality of life have been the hallmark of the CONTI+ brand since 1974. In commercial, public and semi-public applications, including the healthcare sector, our comprehensive CONTI+ range guarantees tailor-made solutions and equipment for every project and environment.

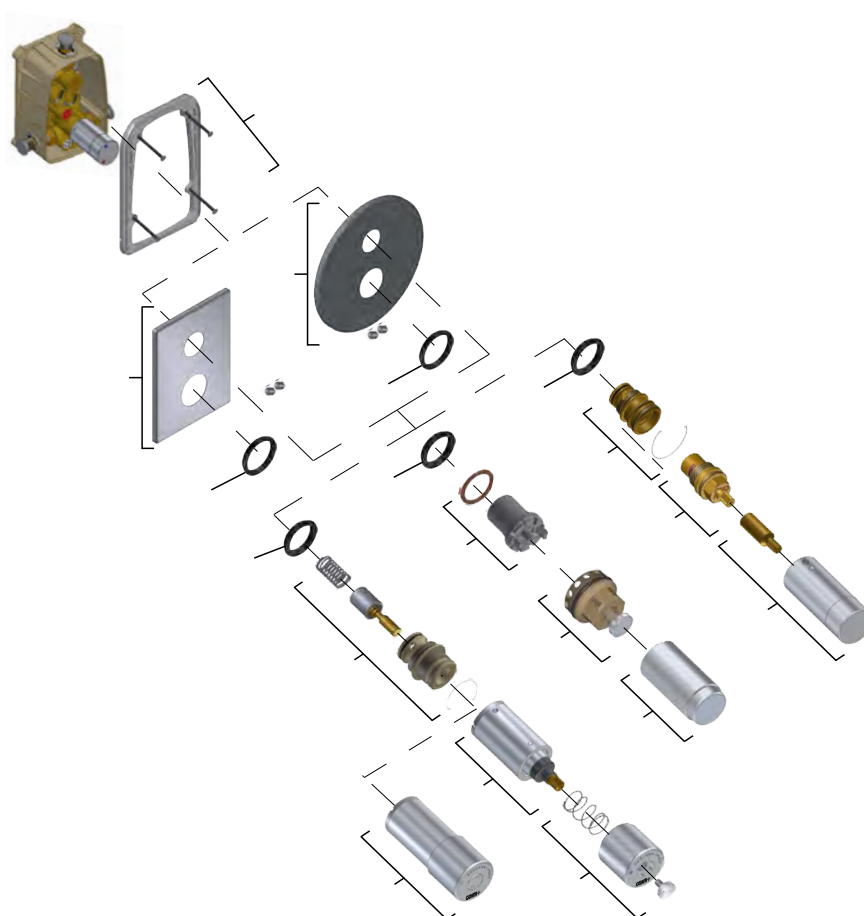
CONTI+ property service – individual support with project planning for design engineers and architects

Whether working on a new build, renovation, refurbishment or modernisation project, you can give free rein to your individuality in your washroom with our property service, extensive portfolio, upgrade and retrofitting options and special solutions tailored to you.

CONTI+ accessories & spare parts list – exploded-view drawings for an optimal overview

The CONTI+ product range offers impressive solutions and made to measure accessories for efficient enhancement or refurbishment of shower and washroom systems to meet special requirements – with easy installation and proven high quality.

A separate and detailed list has been prepared for accessories, variation options and spare parts: the CONTI+ spare parts list, available at any time as a PDF download with quick search and access functions. A quick and easy way to find the right accessory or spare part.



CONGENIAL stainless steel concealed shower, on/off handle



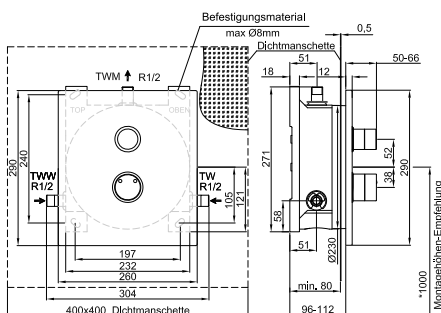
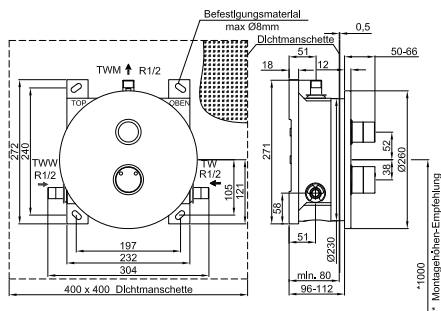
Round cover plate

Functions	Order number
Basic type	CONM2113216000
Thermal disinfection (manual)	CONM2113216020



Rectangular cover plate

Functions	Order number
Basic type	CONM2115216000
Thermal disinfection (manual)	CONM2115216020



Required accessories	Order number
CONHEAD shower heads for wall mounting	see below
CONHEAD hand shower kit	CONO040000
Wall elbow connector	CONO092000
Framing kit	CONR0112
Framing kit alternative	CONR1112

Optional accessories	Order number
Thermal disinfection (electronic) (appropriate wiring/power supply unit and key switch required), see Accessories section	CONO321000
Extension kit 30 mm	CONO670100

CONHEAD shower heads for wall mounting



CONTI+ CONGENIAL FIT

Concealed shower, thermostat, mechanical, DN15 – fully fitted kit

Fully fitted kit for mechanical shower controls, designed as a concealed shower with DN15 nominal diameter. With thermostatic mixer for connection to cold and hot water. For new build and refurbishment projects in public, semi-public and commercial washrooms.

- Fully fitted kit with round or rectangular cover plate for concealed showers
- Concealed anti-theft proof fixing, robust 2-way locking system, condensation drain outlet
- Cover plate: 1.4301 stainless steel, all visible surfaces: brushed stainless steel
- Support frame for cover plate: ABS with EPDM lip seal
- Apertures for function elements and thermostat, including EPDM sealing rings
- Multifunctional tool for maintenance work
- CONGENIAL adaptive multifunctional water path with manual TD plug for thermal disinfection function
- Upgrade and conversion functionalities
- Faucet body: dezincification-resistant pressed brass, as high grade thermostatic mixer faucet, thermostat handle: chrome plated brass
- Visible components made from solid, high-gloss chrome plated brass, with safety stop
- Choice of temperature setting range
- Integral non-return valves in the bypass and non-return valves and strainer cartridges for water paths
- All working parts removable without dismantling the faucet body during maintenance work
- Mechanical operation of the shower function via automatic shut-off push button driven by water hydraulics or on/off handle
- The water running time is infinitely adjustable



Technical data

Operating pressure:	1.5–5.0 bar
Water temperature in standard mode (max.):	70 °C
Water temperature for thermal disinfection:	briefly 80 °C for thermal disinfection
Flow rate DN15:	0.15 l/s (Flow rate controller)
Water running time setting range:	3–30 s (Water hydraulics)
Water running time factory setting:	30 s

Round dimensions (ØxD):	260x12 mm
Rectangular dimensions (WxHxD):	170x225x10 mm



Water path and fully fitted kit:

The mechanical CONTI+ CONGENIAL FIT water path with a small, versatile and easy to service concealed box enables particularly beneficial smooth actuation. Assembled with the required manual triggering and the cover plate of your choice, quick and functional installation is assured. For more information on concealed boxes, functions and setup, please refer to page 54 in the "Electronic showers" section.

Type options

- Water hydraulics    
- On/off handle    

Type options

- Visible surfaces stainless steel brushed or chrome plated
- Cover plate optionally round or rectangular shape
- For shower head mounting or hand shower kit

CONGENIAL FIT stainless steel concealed shower, round, water hydraulics



Showers
mechanical



Stainless steel cover plate



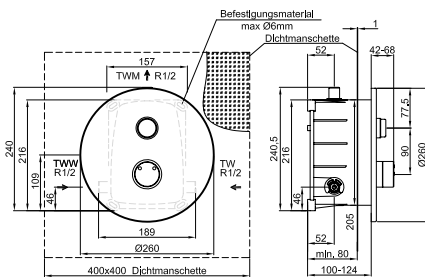
Features	Order number
Adjustable water running time	CONM2114214000
Adjustable water running time thermal disinfection (manual)	CONM2114214020



Chrome plated stainless steel cover plate



Features	Order number
Adjustable water running time	CONM2154214000
Adjustable water running time thermal disinfection (manual)	CONM2154214020



Required accessories	Order number
CONHEAD shower heads for wall mounting	see below
CONHEAD hand shower kit	CONO040000
Wall elbow connector	CONO092000
Framing kit	CONR2112

Optional accessories	Order number
Thermal disinfection (electronic) (appropriate wiring/power supply unit and key switch required), see Accessories section	CONO321000
Extension kit 30 mm	CONO672400



CONHEAD hand shower kit
CONO040000

CONHEAD shower heads for wall mounting

SHORTY CONO030000	RAIN2 CONO020000	GOLF CONO010000	CITY CONO050000	VESUV CONO060000

CONGENIAL FIT stainless steel concealed shower, rectangular, water hydraulics



Stainless steel cover plate



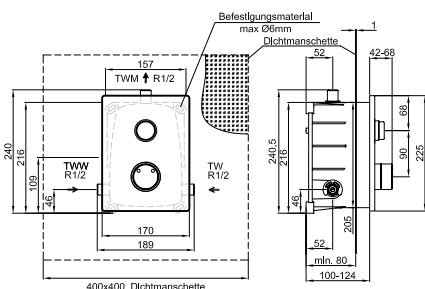
Features	Order number
Adjustable water running time	CONM2116214000
Adjustable water running time thermal disinfection (manual)	CONM2116214020



Chrome plated stainless steel cover plate



Features	Order number
Adjustable water running time	CONM2156214000
Adjustable water running time thermal disinfection (manual)	CONM2156214020



Required accessories	Order number
CONHEAD shower heads for wall mounting	see below right
CONHEAD hand shower kit	CONO040000
Wall elbow connector	CONO092000
Framing kit	CONR2112

Optional accessories	Order number
Thermal disinfection (electronic) (appropriate wiring/power supply unit and key switch required), see Accessories section	CONO321000
Extension kit 30 mm	CONO672400

CONGENIAL FIT stainless steel concealed shower, round, on/off handle



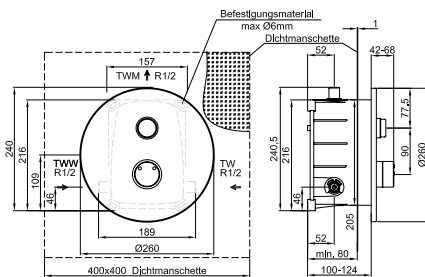
Stainless steel cover plate

Features	Order number
Basic type	CONM2114216000
Thermal disinfection (manual)	CONM2114216020



Chrome plated stainless steel cover plate

Features	Order number
Basic type	CONM2154216000
Thermal disinfection (manual)	CONM2154216020



Required accessories	Order number
CONHEAD shower heads for wall mounting	siehe unten
CONHEAD hand shower kit	CONO040000
Wall elbow connector	CONO092000
Framing kit	CONR2112

Optional accessories	Order number
Thermal disinfection (electronic) (appropriate wiring/power supply unit and key switch required), see Accessories section	CONO321000
Extension kit 30 mm	CONO671200



CONHEAD hand shower kit
CONO040000

CONHEAD shower heads for wall mounting



CONGENIAL FIT stainless steel concealed shower, rectangular, on/off handle



Stainless steel cover plate

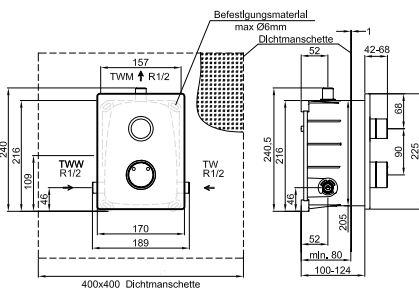
Features	Order number
Basic type	CONM2116216000
Thermal disinfection (manual)	CONM2116216020



Chrome plated stainless steel cover plate

Features	Order number
Basic type	CONM2156216000
Thermal disinfection (manual)	CONM2156216020

Showers
mechanical



Required accessories	Order number
CONHEAD shower heads for wall mounting	see below
CONHEAD hand shower kit	CONO040000
Wall elbow connector	CONO092000
Framing kit	CONR2112

Optional accessories	Order number
Thermal disinfection (electronic) (appropriate wiring/power supply unit and key switch required), see Accessories section	CONO321000
Extension kit 30 mm	CONO671200

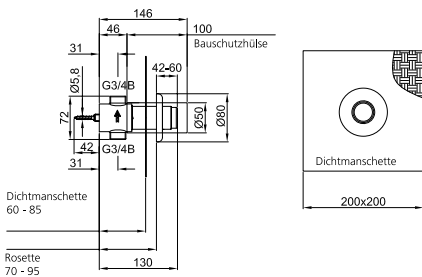


CONHEAD hand shower kit
CONO040000

CONHEAD shower heads for wall mounting

- 
SHORTY
CONO030000
- 
RAIN2
CONO020000
- 
GOLF
CONO010000
- 
CITY
CONO050000
- 
VESUV
CONO060000

CONBASE MINI concealed shower, stainless steel, round, water hydraulics, DN15 | DN20



Water path:

Minimal, versatile, robust and reliable: Based on the CONBASE water path, it also makes a big impression in mini format thanks to its 3/4 inch connection with a nominal width of DN20. With the release by Water hydraulics, it can also be used in small rooms for renovation or new construction.



Features

- Adjustable water running time | DN15
- Adjustable water running time | DN20

Order number

- CONM2150174000**
- CONM2150184000**

Fully fitted kit for electronic shower controls, designed as a concealed shower with DN15 | DN20 nominal diameter. Without a mixer for connection to cold or premixed water. For new build and refurbishment projects in public, semi-public and commercial washrooms.

- With round push rosette
- Hydraulic automatic shut-off valve
- Push button and push rosette made of chrome plated brass
- In the case of mechanical hydraulic showers, the water running time of the shower function can be adjusted for each shower by means of an adjustment screw in the push button

Technical data

Operating pressure:	1.5–5.0 bar
Water temperature in standard mode (max.):	70 °C
Flow rate DN15:	0.15 l/s to 0.35 l/s (3 bar)
Flow rate DN25:	1,0 l/s (3 bar)
Calculated flow rate:	1,0 l/s
Water running time setting range:	30 s (+5–10 s)
Round dimensions (ØxD):	80x10 mm



Required accessories

	Order number
CONHEAD shower heads for wall mounting	see below
CONHEAD hand shower kit	CONO040000
Wall elbow connector	CONO092000
Framing kit	CONR4111

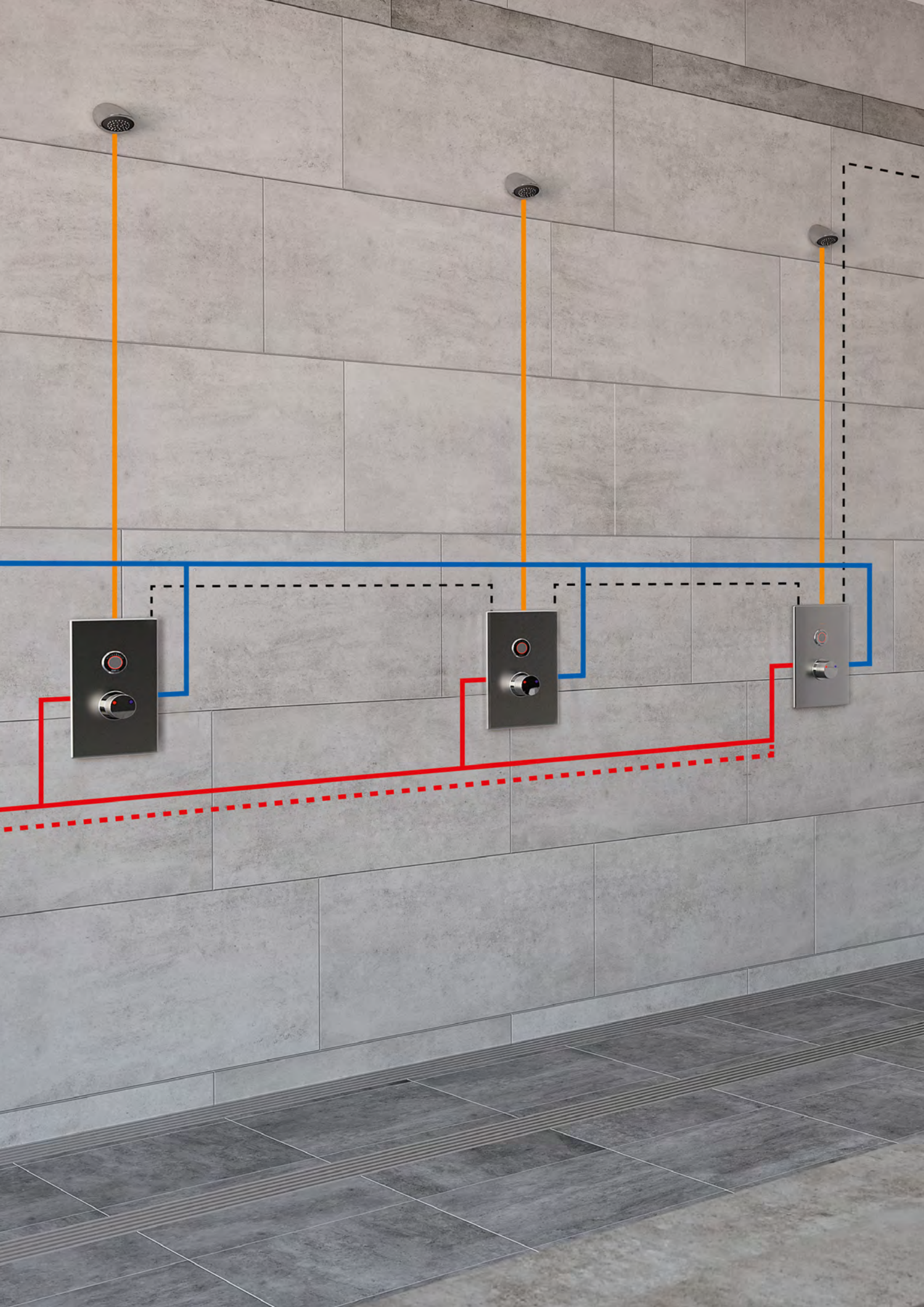
Optional accessories

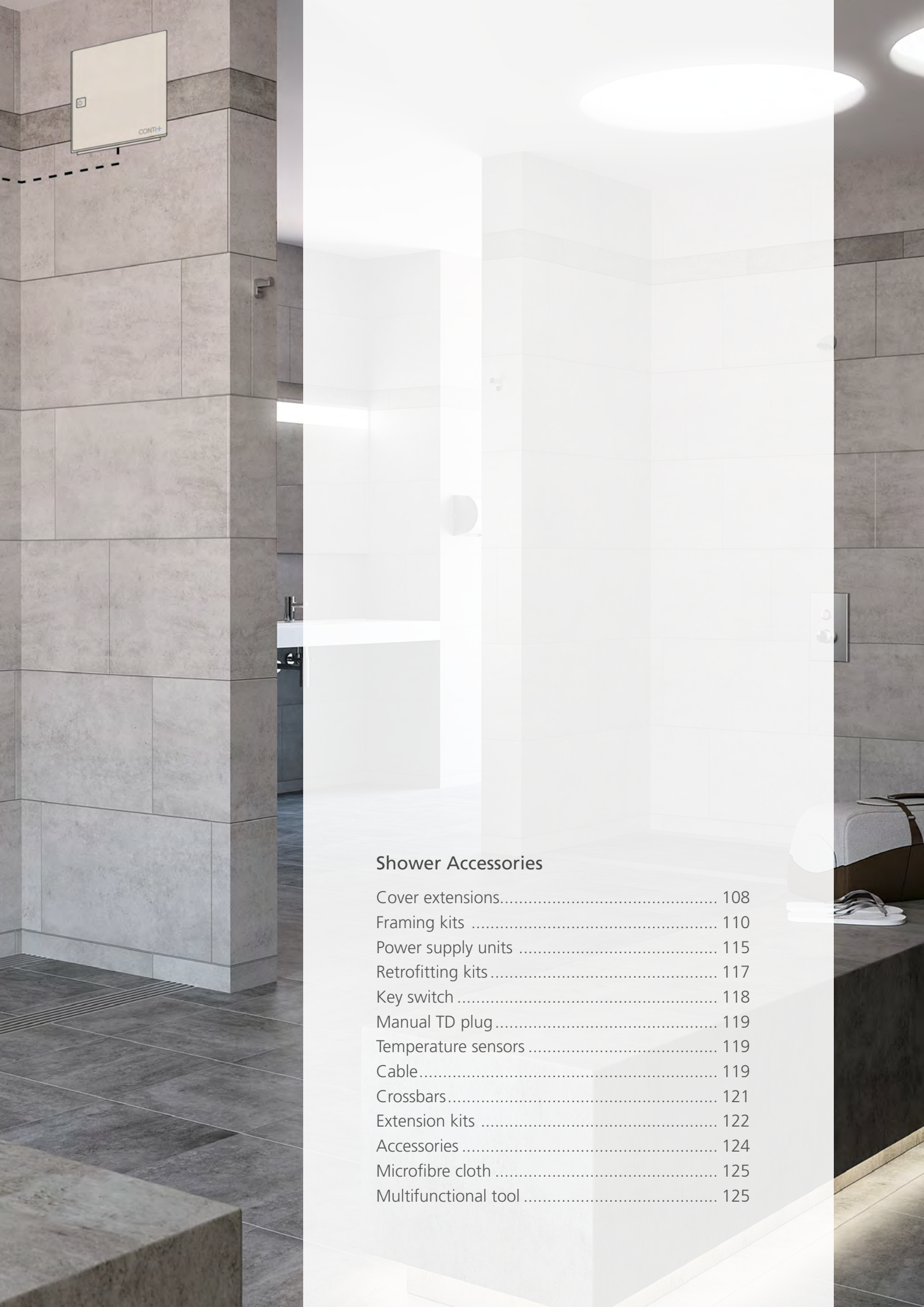
	Order number
Extension kit 30 mm	CONO631201

CONHEAD shower heads for wall mounting



CONHEAD hand shower kit
CONO040000





Shower Accessories

Cover extensions.....	108
Framing kits	110
Power supply units	115
Retrofitting kits.....	117
Key switch	118
Manual TD plug.....	119
Temperature sensors	119
Cable.....	119
Crossbars.....	121
Extension kits	122
Accessories	124
Microfibre cloth	125
Multifunctional tool	125

CONTI+ SOLUTIONS

Cover extension for shower panels

Whether unique designs or colours, object-specific retrofitting or technological upgrades: the wide-ranging CONTI+ standard portfolio includes contemporary and economically realised shower solutions for most of the daily requirements.

But sometimes the highest degree of individuality is required: Thanks to our more than 40 years of expertise in the planning and installation of customised CONTI+ shower systems, we can also offer you a perfect solution for very special requirements in sanitary environments.

Whether it's the realisation of individual installation dimensions, the concealment of access lines with CONTI+ cover extensions or the creation of extraordinary colour accents: our special solutions, well thought out down to the last detail, give shower rooms a new shine and bring them up to the latest technological standards even without cost-intensive renovation measures.

Type options

- CONPRIMUS Stainless steel
- CONPRIMUS RAL Classic colour
- Stainless steel shower panels
- Acrylic composite shower panels

Refurbishment | Renovation | Modernisation – Showers made to measure

Referenzfoto:
CONTI+ © MHH Medizinische Hochschule, Hannover

CONPRIMUS stainless steel precise-fit cover extension

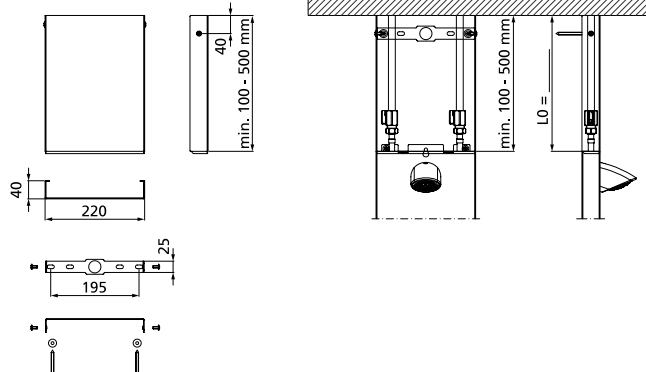
For CONPRIMUS Stainless steel or RAL Classic colour shower panel, for concealing access lines.

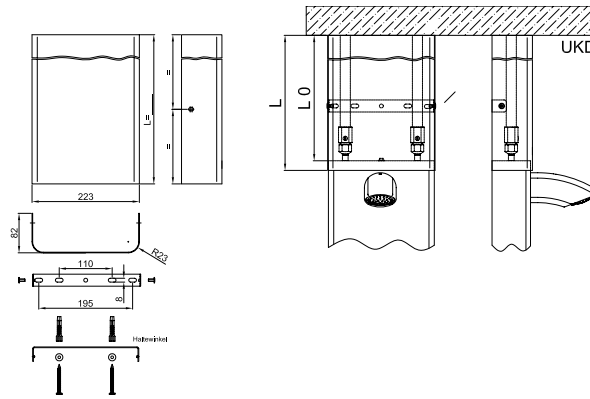
Note:

Made to measure. Minimum length 100 mm. Please specify the measurement of L0 when ordering.



Description	Version	Order number
Cover extension CONPRIMUS	Stainless steel	CONO662000
	RAL Classic colours	CONO663000





Stainless steel precise-fit cover extension

For stainless steel shower panels, for concealing access lines.

Note:

Made to measure. Minimum length 65 mm. Please specify the measurement of L0 when ordering.

Description	Order number
Cover extension stainless steel	CONO660000



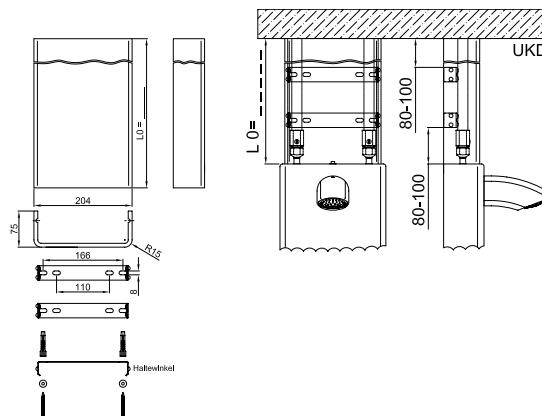
Acrylic composite precise-fit cover extension

For acrylic composite shower panels, for concealing access lines.

Note:

Made to measure. Minimum length 65 mm. Please specify the measurement of L0 when ordering.

Description	Order number
Cover extension acrylic composite	CONO661000



CONBOX concealed shower framing kit, DN15



Framing kit for **mechanical and electronic shower controls** based on the CONGENIAL adaptive multifunctional water inlet with thermostat, designed as a concealed shower with DN15 nominal diameter. For new build and refurbishment projects in public, semi-public and commercial washrooms.

Includes:

- CONBOX concealed box
- Recessed wall mounting enclosure: ABS, dimensions (min. WxHxD): 232x272x96 mm, self-supporting
- Mounting straps for on-site fixing hardware with max. 8 mm diameter Trim to tile front edge, 230 mm wall outlet diameter, condensate drain slope
- Sealed and sound insulated brass inlets and outlets, inlets with R 1/2 line stop valves
- Detachable fitting for replacing the flushing unit on the water inlet
- Mounting depth with fully fitted kit: 96 – 110 mm
- Flushing unit: ABS, in accordance with DIN 1988-2 / DIN EN 806-2, waterless and hygienically checked for leaks
- Protective cover: EPS, dimensions (ØxD): 226x40 mm
- Sealing collar: PE, dimensions (WxH): 400x400 mm, with flexible expansion zone as per DIN 18534-3
- For connection to cold and hot water

Description	Connection	Nominal diameter	Order number
CONBOX concealed shower framing kit, thermostat	R 1/2	DN15	CONR0112

CONBOX FLANGE concealed shower framing kit with bonding flange, DN15



Framing kit for **mechanical and electronic shower controls** based on the CONGENIAL adaptive multifunctional water inlet with thermostat, designed as a concealed shower with DN15 nominal diameter. For new build and refurbishment projects in public, semi-public and commercial washrooms.

Includes:

- CONBOX FLANGE concealed box with bonding flange for showers
- Recessed wall mounting enclosure: ABS, dimensions (min. WxHxD): 232x272x96 mm, self-supporting
- Mounting straps for on-site fixing hardware with max. 8 mm diameter
- Trim to tile front edge, 230 mm wall outlet diameter, condensate drain slope
- Sealed and sound insulated brass inlets and outlets, inlets with R 1/2 line stop valves
- Detachable fitting for replacing the flushing unit on the water inlet
- Mounting depth with fully fitted kit: 96 – 110 mm
- Flushing unit: ABS, in accordance with DIN 1988-2 / DIN EN 806-2, waterless and hygienically checked for leaks
- Protective cover: EPS, dimensions (ØxD): 226x40 mm
- Bonding flange: ABS, dimensions (ØxD): 430x12 mm, for installation as per DIN 18534-3
- For connection to cold and hot water

Description	Connection	Nominal diameter	Order number
CONBOX FLANGE concealed shower framing kit with bonding flange, thermostat	R 1/2	DN15	CONR1112

CONBOX concealed shower framing kit, DN20



Framing kit for **mechanical and electronic shower controls** based on the CONGENIAL adaptive multifunctional water inlet with thermostat, designed as a concealed shower with DN20 nominal diameter. For new build and refurbishment projects in public, semi-public and commercial washrooms.

Includes:

- CONBOX concealed box
- Recessed wall mounting enclosure: ABS, dimensions (min. WxHxD): 232x272x96 mm, self-supporting
- Mounting straps for on-site fixing hardware with max. 8 mm diameter
- Trim to tile front edge, 230 mm wall outlet diameter, condensate drain slope
- Sealed brass inlets and outlets, inlets with R 3/4 line stop valves
- Mounting depth with fully fitted kit: 100 – 110 mm
- Flushing unit: ABS, in accordance with DIN 1988-2 / DIN EN 806-2, waterless and hygienically checked for leaks
- Protective cover: EPS, dimensions (ØxD): 226x40 mm
- Sealing collar: PE, dimensions (WxH): 400x400 mm, with flexible expansion zone as per DIN 18534-3
- Faucet body for high grade thermostatic mixer faucet with safety stop
- For connection to cold and hot water

Description	Connection	Nominal diameter	Order number
CONBOX concealed shower framing kit, thermostat	R 3/4	DN20	CONR0122

CONBOX concealed shower framing kit, DN20, TD



Framing kit for **electronic shower controls** based on the CONGENIAL adaptive multifunctional water inlet with thermostat, designed as a concealed shower with DN20 nominal diameter. For new build and refurbishment projects in public, semi-public and commercial washrooms.

Includes:

- CONBOX concealed box
- Recessed wall mounting enclosure: ABS, dimensions (min. WxHxD): 232x272x96 mm, self-supporting
- Mounting straps for on-site fixing hardware with max. 8 mm diameter
- Trim to tile front edge, 230 mm wall outlet diameter, condensate drain slope
- Sealed brass inlets and outlets, inlets with R 3/4 line stop valves
- Mounting depth with fully fitted kit: 100 – 110 mm
- Flushing unit: ABS, in accordance with DIN 1988-2 / DIN EN 806-2, waterless and hygienically checked for leaks
- Protective cover: EPS, dimensions (ØxD): 226x40 mm
- Sealing collar: PE, dimensions (WxH): 400x400 mm, with flexible expansion zone as per DIN 18534-3
- Faucet body for high grade thermostatic mixer faucet with safety stop and connection for thermal disinfection
- For connection to cold and hot water

Description	Connection	Nominal diameter	Order number
CONBOX concealed shower framing kit, thermostat	R 3/4	DN20	CONR0142

CONBOX concealed shower framing kit, DN15



Framing kit for **mechanical and electronic shower controls**, designed as a concealed shower without thermostat with DN15 nominal diameter. For new build and refurbishment projects in public, semi-public and commercial washrooms.

Includes:

- CONBOX concealed box
- Recessed wall mounting enclosure:
 - ABS, dimensions (min. WxHxD): 232x272x96 mm, self-supporting
- Mounting straps for on-site fixing hardware with max. 8 mm diameter
- Trim to tile front edge, 230 mm wall outlet diameter, condensate drain slope
- Sealed and sound insulated brass inlets and outlets, inlets with R 1/2 line stop valves
- Mounting depth with fully fitted kit: 96 – 110 mm
- Flushing unit: ABS, in accordance with DIN 1988-2 / DIN EN 806-2, waterless and hygienically checked for leaks
- Protective cover: EPS, dimensions (ØxD): 226x40 mm
- Sealing collar: PE, dimensions (WxH): 400x400 mm, with flexible expansion zone as per DIN 18534-3
- Connection to cold or premixed water

Description	Connection	Nominal diameter	Order number
CONBOX concealed shower framing kit, without thermostat	R 1/2	DN15	CONR0111

CONBOX concealed shower framing kit, DN20



Framing kit for **mechanical and electronic shower controls**, designed as a concealed shower without thermostat with DN20 nominal diameter. For new build and refurbishment projects in public, semi-public and commercial washrooms.

Includes:

- CONBOX concealed box
- Recessed wall mounting enclosure:
 - ABS, dimensions (min. WxHxD): 232x272x96 mm, self-supporting
- Mounting straps for on-site fixing hardware with max. 8 mm diameter
- Trim to tile front edge, 230 mm wall outlet diameter, condensate drain slope
- Sealed brass inlets and outlets, inlets with R 3/4 line stop valves
- Mounting depth with fully fitted kit: 100–110 mm
- Flushing unit: ABS, in accordance with DIN 1988-2 / DIN EN 806-2, waterless and hygienically checked for leaks
- Protective cover: EPS, dimensions (ØxD): 226x40 mm
- Sealing collar: PE, dimensions (WxH): 400x400 mm, with flexible expansion zone as per DIN 18534-3
- Connection to cold or premixed water

Description	Connection	Nominal diameter	Order number
CONBOX concealed shower framing kit, without thermostat	R 3/4	DN20	CONR0121

CONBOX FIT concealed shower framing kit, DN15



Framing kit for **mechanical and electronic shower controls** based on the CONGENIAL adaptive multifunctional water inlet with thermostat, designed as a concealed shower with DN15 nominal diameter. For new build and refurbishment projects in public, semi-public and commercial washrooms.

Includes:

- CONBOX FIT concealed box
- Recessed wall mounting enclosure: ABS, dimensions (min. WxHxD): 157x216x127 mm, self-supporting
- Mounting straps for on-site fixing hardware with max. 6 mm diameter
- Condensation drain slope
- Sealed and sound insulated brass inlets and outlets, inlets with R 1/2 line stop valves
- Detachable fittings for replacing the flushing unit on the water inlet
- Mounting depth with fully fitted kit: 85–112 mm
- Flushing unit: ABS, in accordance with DIN 1988-2 / DIN EN 806-2, waterless and hygienically checked for leaks
- Protective cover: cardboard
- Sealing collar: PE, dimensions (WxH): 400x400 mm, with flexible expansion zone as per DIN 18534-3
- Connection to cold or premixed water

Description	Connection	Nominal diameter	Order number
CONBOX FIT concealed shower framing kit, thermostat	R 1/2	DN15	CONR2112

CONBOX SLIM concealed shower framing kit, DN15



Framing kit for **electronic shower controls**, designed without thermostat as a concealed shower with DN15 nominal diameter. For new build and refurbishment projects in public, semi-public and commercial washrooms.

Includes:

- CONBOX SLIM concealed box
- Recessed wall mounting enclosure: PP, dimensions (ØxD): 85x58 mm
- Trim to tile front edge, 80 mm wall outlet diameter
- Bonding flange: PP, dimensions (ØxD): 150x12.5 mm
- Protective cover: EPS, dimensions (ØxD): 78x20 mm, water inlet: brass
- Ball valve as shut-off device
- Flushing unit, R 1/2 connection
- Piezo push button extension line: 3 m, 2-pin plug-in connection on both sides, IP protection IP68
- Connection to cold or premixed water

Description	Connection	Nominal diameter	Order number
CONBOX SLIM concealed shower framing kit, without thermostat	R 1/2	DN15	CONR3111

CONBOX SLIM shower framing kit concealed, DN20



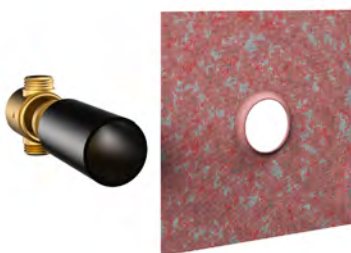
Framing kit for **electronic shower controls**, designed without thermostat as a concealed shower with DN15 nominal diameter. For new build and refurbishment projects in public, semi-public and commercial washrooms.

Includes:

- CONBOX SLIM concealed box
- Recessed wall mounting enclosure: PP, dimensions (ØxD): 85x58 mm
- Trim to tile front edge, 80 mm wall outlet diameter
- Bonding flange: PP, dimensions (ØxD): 150x12.5 mm
- Protective cover: EPS, dimensions (ØxD): 78x20 mm, water inlet: brass
- Ball valve as shut-off device
- Flushing unit, R 3/4 connection
- Piezo push button extension line: 3 m, 2-pin plug-in connection on both sides, IP protection IP68
- Connection to cold or premixed water

Description	Connection	Nominal diameter	Order number
CONBOX SLIM shower framing kit concealed / ceiling	R 3/4	DN20	CONR3121

CONBOX MINI concealed shower framing kit, DN15 / DN20



Framing kit for **mechanical shower controls**, designed as a concealed shower with DN15 / DN20 nominal diameter. For new build and refurbishment projects in public, semi-public and commercial washrooms.

Includes:

- CONBOX MINI recessed enclosure
- Recessed wall mounting enclosure: brass, for water hydraulics, with protective sleeve and flush-connector: ABS, in accordance with DIN 1988-2 / DIN EN 806-2
- Sealing collar: PE, dimensions (WxH): 200x200 mm, with flexible expansion zone as per DIN 18534-3
- Connection to cold or premixed water

Description	Connection	Nominal diameter	Order number
CONBOX MINI concealed shower framing kit	R 3/4	DN15/DN20	CONR4111

Power supply units



Power supply unit 24 V/DC / 4.2 A, in mounting box, exposed

For supplying power to a **maximum of 10 CONPRIMUS showers** or **lino PRIMUS L40**.
Wall mounted splitter, fully wired, connection via prefitted 2 m power cord with safety plug.

Wiring must be carried out by a qualified electrician according to DIN VDE 105-100.

Connection voltage:	230 V/AC
Output voltage:	24 V ± 1% DC
Output current:	0–4,2 A
Output:	100.8 W
Protection class:	II
IP protection:	IP65
Dimensions (WxHxD):	125x200x122 mm

Description	Type	Order number
Power supply unit 24 V/DC	Exposed mounting box	CONO513000



Power supply unit 24 V/DC / 4.2 A, for DIN rail mounting

For supplying power to a **maximum of 10 CONPRIMUS showers** or **lino PRIMUS L40**
for installation in sub-distribution board.

Wiring must be carried out by a qualified electrician according to DIN VDE 105-100.

Connection voltage:	230 V/AC
Output voltage:	24 V ± 1% DC
Output current:	0–4,2 A
Output:	100,8 W
Protection class:	II
Dimensions (WxHxD):	90x70x55 mm

Description	Type	Order number
Power supply unit 24 V/DC / 1.5 A	DIN rail mounting	CONO582000

Power supply units



Power supply unit 12 V/DC / 4.5 A, in mounting box, exposed

For supplying power to a **maximum of 20 electronic showers, CONGENIAL FIT or CONBASE wall mounted faucets for washbasins**. Wall mounted splitter, fully wired, connection via prefitted 2 m power cord with safety plug. Includes preparation for the use of a key switch for thermal disinfection or external sanitary rinse.

Wiring must be carried out by a qualified electrician according to DIN VDE 105-100.

Connection voltage:	230 V/AC
Output voltage:	12 V ± 1% DC
Output current:	0–4,5 A
Output:	54 W
Protection class:	II
IP protection:	IP65
Dimensions (WxHxD):	125x200x122 mm

Description	Type	Order number
Power supply unit 12 V/DC	Exposed mounting box	CONO512000



Power supply unit 12 V/DC / 4.5 A, mechanical showers with TD, in mounting box, exposed

For supplying power to a **maximum of 20 kits for thermal disinfection for mechanical showers**. Wall mounted splitter, fully wired, connection via prefitted 2 m power cord with safety plug.

Wiring must be carried out by a qualified electrician according to DIN VDE 105-100.

Connection voltage:	230 V/AC
Output voltage:	12 V ± 1% DC
Output current:	0–4,5 A
Output:	54 W
Protection class:	II
IP protection:	IP65
Dimensions (WxHxD):	125x200x122 mm

Description	Type	Order number
Power supply unit 12 V/DC	Exposed mounting box	CONO510000



Power supply unit 12 V/DC / 4.5 A, for DIN rail mounting

For supplying power to a **maximum of 20 electronic showers, CONGENIAL FIT or CONBASE wall mounted faucets for washbasins**, for installation in sub-distribution board.

Wiring must be carried out by a qualified electrician according to DIN VDE 105-100.

Connection voltage:	230 V/AC
Output voltage:	12 V ± 1% DC
Output current:	0–4,5 A
Output:	54 W
Protection class:	II
Dimensions (WxHxD):	80x72x56 mm

Description	Type	Order number
Switched power supply unit 12 V/DC / 4.5 A	DIN rail mounting	CONO511000

Thermal disinfection kit for mechanical CONTI+ showers



Upgrading of mechanical faucets for electronic thermal disinfection of shower controls based on the CONGENIAL adaptive multifunctional water inlet. Splitter connection for supplying the bistable solenoid valve to be installed in the bypass. Thermal disinfection can be triggered via key switch (not included in the standard delivery) using the supplied control electronics.

Includes:

- Mains/bypass splitter connection
- 6 V/DC ROBUST solenoid valve, bistable
- Control electronics for bypass 6 V/DC
- Transverter 12 – 28 VAC/DC / 6 VDC

IP protection: IP68

Description	Order number
Thermal disinfection kit for mechanical CONTI+ showers	CONO321000

Thermal disinfection retrofit kit for electronic CONTI+ showers



For upgrading electronic faucets for electronic thermal disinfection of shower controls based on the CONGENIAL adaptive multifunctional water inlet or the CONSMART compact water inlet for mains power. Control electronics retrofit kit for integrating the solenoid valve to be installed in the bypass. Triggering of thermal disinfection via key switch (not included in the standard delivery). Controlled via the Service APP.

Includes:

- 6 V/DC ROBUST solenoid valve, bistable
- Control electronics for thermal disinfection 6 V/DC

IP protection: IP68

Retrofit battery versions on request.

Description	Order number
Thermal disinfection kit for electronic CONTI+ showers	CONO322000

Cleaning stop retrofit kit for electronic showers



For electronic showers with a 6 V/DC basis. Interruption of the triggering of the water flow during cleaning activities through placement of the RC switch on the underside of the shower panel in the area of the piezo push button on the cover plate.

Includes:

- Control electronics retrofit kit
- Reed contact housing
- RC switch, magnet with handle

Description	Order number
Cleaning stop retrofit kit	CONO610000

Key switch



Key switch in button design, exposed

For activating the inputs to the CNX control centre

- Thermal rinse
- Fault message acknowledgement

For wall mounting.

Includes:

- Plastic exposed housing in grey/black
- Key switch with key

Dimensions (WxHxD): 80x72x56 mm (without key)

IP protection: IP45

Description	Order number
Key switch kit, button design	CONO330000



Key switch in switch design (latching), exposed

For activating the input to the CNX control centre

- System STOP

For activating the input to the shower control

- Thermal disinfection
- Sanitary rinse

For wall mounting.

Includes:

- Plastic exposed housing in grey/black
- Key switch with key

Dimensions (WxHxD): 80x72x56 mm (without key)

IP protection: IP45

Description	Order number
Key switch kit, switch design	CONO330010

Manual TD plug



For installation in CONTI+ faucet bodies as a bypass valve for performing manual thermal disinfection.

Operating pressure: 0,3–10,0 bar
 Water temperature (max.): 70 °C (briefly 80 °C for thermal disinfection)

Description	Material	Order number
Manual TD plug	Brass	CONO310000

Cable



J-Y(St)Y cable, 2x2x0.8 mm

For wiring CONTI+ showers, faucets and urinals.

Outer sheath: PVC, grey
 Outer diameter: 7 mm
 Temperature range: –30 °C to +70 °C, foil shielding

Description	Packaging unit	Order number
J-Y(St)Y cable, 2x2x0.8 mm	100 m	CONO220000

Temperature sensor



Temperature sensor for CONGENIAL water inlet

Immersion sensor for logging the temperatures during thermal disinfection for CONTI+ faucets based on the CONGENIAL water inlet, integrated into the CNX water management system. For screwing into the water inlet housing. With power cord and plug.

Sensor well material:: 1.4571 stainless steel
 Immersion length: (approx.). 15 mm
 Threaded connector material:: Brass
 Thread: M10 x 1
 Power cord length: 300 mm
 IP protection: IP68

Description	Design	Order number
CONGENIAL Temperature sensor	Immersion sensor	CONO410000



Temperature sensor for CONSMART water inlet

Contact sensor for logging temperatures during thermal disinfection for CONTI+ faucets, based on the CONSMART water inlet, integrated into the CNX water management system. For insertion into the water inlet housing. Secured in place with hexagon screw. With power cord and plug.

Material: 1.4571 stainless steel
 IP protection: IP68

Description	Design	Order number
CONSMART Temperature sensor	Contact sensor	CONO410010

Crossbars



Crossbar for CONTI+ CONHEAD shower heads

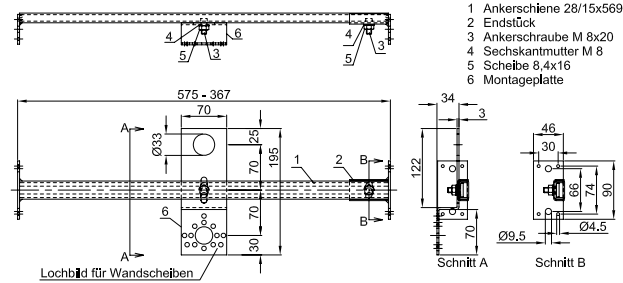
For fixing in metal stud partition walls, double stud frames and installation walls of any profile thickness, installation width can be shortened, galvanised.

Includes:

- 1 anchor rail, type 28/15, with one fixed and one adjustable side section
- 1 mounting plate for shower head connection
- Variable mounting width: 417 – 625 mm

Can also be used in rail systems from Geberit, Viega, TECE, Friatec and similar manufacturers.

Description	Design	Order number
Crossbar for CONTI+ CONHEAD shower heads	Wall mounting	CONO93000



- 1 Ankerschiene 28/15x569
- 2 Endstück
- 3 Ankerschraube M 8x20
- 4 Sechskantmutter M 8
- 5 Scheibe 8,4x16
- 6 Montageplatte

Showers
Accessories



Crossbeam frame for CONBOX framing kits

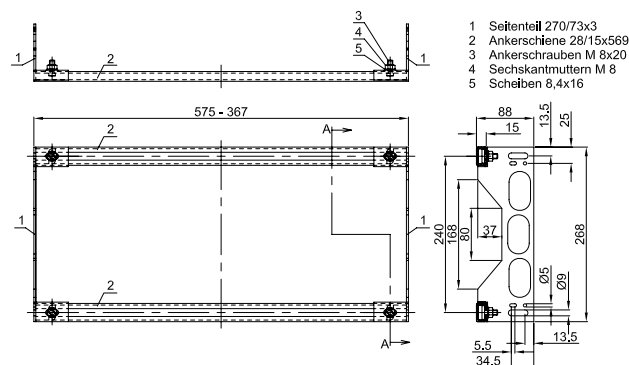
For fixing in metal stud partition walls, double stud frames and installation walls of any profile thickness, installation width can be shortened, galvanised.

Includes:

- 2 anchor rails, type 28/15
- 2 side sections with mountings, adjustable
- 1 fixing kit
- Variable mounting width: 417 – 625 mm

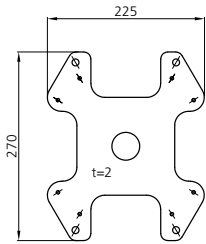
Can also be used in rail systems from Geberit, Viega, TECE, Friatec and similar manufacturers.

Description	Design	Order number
Crossbeam frame for CONBOX framing kits	Wall mounting	CONO690000



- 1 Seitenteil 270/73x3
- 2 Ankerschiene 28/15x569
- 3 Ankerschrauben M 8x20
- 4 Sechskantmutter M 8
- 5 Scheiben 8,4x16

Crossbars



Crossbeam frame for CONBOX FIT

In combination with crossbeam frame for CONBOX framing kits for installing CONBOX FIT concealed box for mechanical and electronic shower controls and wall mounted faucets, based on the CONGENIAL adaptive multifunctional water inlet.

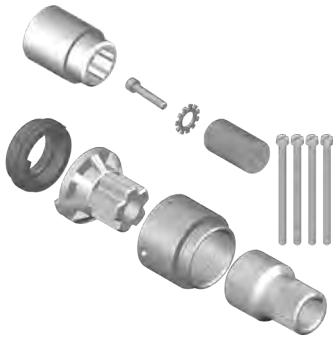
- Galvanised sheet steel
- With drilling holes for horizontal or vertical installation
- Horizontal installation for concealed wall mounted faucets
- Vertical installation for concealed showers
- Fixing hardware included



Dimensions (WxHxD): 270x220x2 mm
 Net weight: 0,5 kg

Description	Design	Order number
Crossbeam frame for CONBOX FIT	Wall mounting	CONO691000

Extension kits



Scope of extension sets using the example
"Type: mechanical | water hydraulics"

Extension kits 30 mm for concealed showers

For extending the concealed shower fully fitted kit if installation is too deep.
Optional for the electronic/mechanical CONTI+ **CONGENIAL, CONGENIAL FIT, CONFLOW** and **CONBASE** shower series

Includes:

- Thermostat extension kit
- Extension kit, manual triggering
- Suitable extension inserts / screws and seals / fixing hardware



Type: electronic | piezo push button



Description

Order number



Extension kit 30 mm | **CONGENIAL**

CONO670200

Extension kit 30 mm | **CONGENIAL FIT**

CONO672200

Extension kit 30 mm | **CONFLOW, Thermostat DN20**

CONO670300

Extension kit 30 mm | **CONBASE/CONFLOW**

CONO671200



Type: mechanical | water hydraulics

Description

Order number

Extension kit 30 mm | **CONGENIAL**

CONO670400

Extension kit 30 mm | **CONGENIAL FIT**

CONO672400



Type: mechanical | on/off handle

Description

Order number

Extension kit 30 mm | **CONGENIAL**

CONO670100

Extension kit 30 mm | **CONGENIAL FIT**

CONO672100



Installation example
"Type: mechanical | water hydraulics"

Accessories



CONHEAD CITY, SHORTY, VESUV sampling kit, DN15

For professional drinking water sampling in accordance with DIN EN ISO 19485 for CONTI+ shower heads CITY, SHORTY and VESUV.

Includes:

- Plug-in attachment, fixed, heavy, solid brass design, with flame pipe made of 1.4301 stainless steel

Description	Order number
Sampling kit CONHEAD CITY, SHORTY, VESUV	CONO350000



CONHEAD GOLF, Rain2, sampling kit, DN15

For professional drinking water sampling in accordance with DIN EN ISO 19485 for CONTI+ Brauseköpfe GOLF and RAIN2.

Includes:

- Plug-in attachment, fixed, heavy, solid brass design, with flame pipe made of 1.4301 stainless steel

Description	Order number
Sampling kit CONHEAD GOLF, RAIN2	CONO351000



Servicing pipe

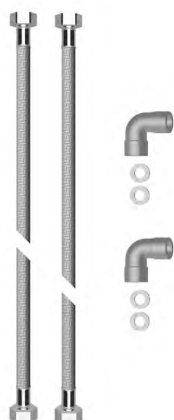
For safely passing by the water stream by maintenance or when performing manual thermal disinfection.

Includes:

- Thermometer
- Telescopic tube, 1530 – 2560 mm, extendible

Description	Length	Order number
Servicing pipe	1530–2560 mm, extendible	CONO352000

Accessories



Hose kit connection for CONGENIAL shower panels

For connection from above and behind, includes two flexible hoses, flat seals and connection brackets.

Hose length: 1330 mm

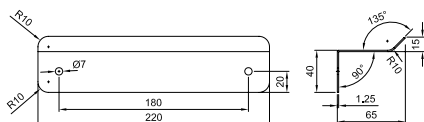
Description	Connection	Order number
Hose kit connection for CONGENIAL shower panels	R 1/2	CONO670010

Showers
Accessories



Soap/shower gel dish, stainless steel

- Made of 1.4301 stainless steel, brushed finish
- With fixing hardware
- Dimensions (WxHxD): 220x40x65 mm

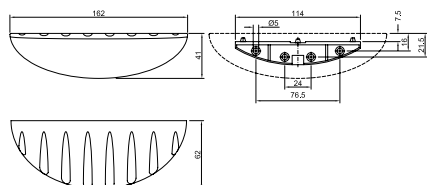


Description	Design	Order number
Soap/shower gel dish, stainless steel	Wall mounting	CONO680000



Soap/shower gel dish, ABS

- Made of ABS, matt silver surface
- With fixing hardware for masonry and shower panel
- Dimensions (WxHxD): 162x41x62 mm



Description	Design	Order number
Soap/shower gel dish, ABS	Wall and panel mounting	CONO681000

Cleaning product



Grey microfibre cloth

Soft microfibre cloth for professional use, with velvety surface for slightly textured, smooth and sensitive surfaces, highly suitable for cleaning stainless steel, chrome, aluminium, faucets and painted surfaces, can be washed at up to 95 °C.

Description	Dimensions	Order number
Microfibre cloth	approx. 400x400 mm	CONO690200

Multifunctional tool



Multifunctional tool for maintenance work of CONTI+ faucets

Includes:

- 1 hook wrench 38 mm
- 1 hexagon key, wrench size 3x36x16.5
- 1 adjustable face wrench
- 1 face screwdriver with handle
- 1 hexagon screwdriver, wrench size 2x100
- 1 hexagon screwdriver, wrench size 2.5x100
- 1 hexagon screwdriver, wrench size 3x100
- 1 hexagon screwdriver, wrench size 6x160
- 1 allen key, wrench size 4x140x28
- 1 microfibre cloth
- 1 tool belt

Description	Order number
Multifunctional tool for maintenance work of CONTI+ faucets	CONO690300





Shower heads

Rain shower heads	130
Hand shower kit	130
Jet shower heads	131
Accessories	132

Spa & Wellness

Rain shower heads	134
Body spray / Jet shower heads	138
Ball joint	138
Downpour shower head	139
Shower head arms / hose	139
Bucket downpour shower	140
Kneipp affusion kits	141

CONTI+ CONHEAD shower heads

Flexibility and safety for all application areas



SHORTY Rain shower head

- For shower panels and wall mounting
- DN15
- Adjustable flow angle 11° to 21°
- Flow rate controller 9 l/min
- Easy cleaning due to removable shower base
- Vandal-proof, suicide-resistant
- Fixed shower head
- Brass plug-in connection and adaptor
- Chrome plated



RAIN2 Rain shower head

- For shower panels and wall mounting
- DN15
- Adjustable flow angle 11° to 21°
- Flow rate controller 9 l/min
- Easy cleaning due to removable shower base
- Vandal-proof
- Fixed shower head
- Brass plug-in connection and adaptor
- Chrome plated



GOLF Jet shower head

- For shower panels and wall mounting
- DN15
- Flow angle 18°
- Flow rate controller 9 l/min
- Vandal-proof brass plug-in connection and adaptor
- Fixed shower head
- Stainless steel/chrome plated



CITY Jet shower head

- For shower panels and wall mounting
- DN15
- Flow angle 18°
- Flow rate controller 9 l/min
- Vandal-proof, concealed brass fixings and plug-in connection
- Fixed shower head
- Stainless steel/chrome plated



VESUV Jet shower head

- For shower panels and wall mounting
- DN15
- Flow rate controller 9 l/min
- Vandal-proof, concealed brass fixings and plug-in connection
- Suicide-resistant
- Chrome plated



CONHEAD Hand shower kit

- For shower panels and wall mounting
- DN15
- Accessible single-handed operation
- Functionally reliable height lock
- Shower rail made of stainless steel
- Hand shower with anti-limescale nozzles, chrome-plated

CONTI+ CONWELL shower heads DN15 | DN20

Spa and wellness



CONHEAD Downpour shower head

- For wall mounting
- DN15 | DN20
- Heavy, solid brass design
- With ball joint and collar
- Low aerosol
- Chrome plated



CONWELL Rain shower head

- For wall and ceiling mounting via shower tubing or shower head arm
- DN15 (Ø 150 mm) / DN20 (Ø 250 mm) without safety valve
- DN15 (Ø 100/200/250/300/400 mm) with safety valve
- Soft jet
- Chrome plated



Bucket Downpour shower

- For wall and ceiling mounting
- DN15
- For in- and outdoors
- Terminal set with angle valve and flexible connection hose
- Automatic fill valve
- Wooden bucket from Kambala wood



Kneipp affusion kit

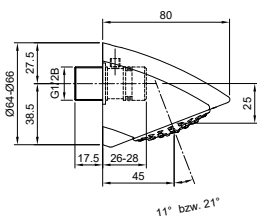
- For wall mounting
- DN15 | DN20
- Cold water connection
- Kneipp affusion | Power shower
- With ball or angle stop valve
- Chrome plated connector fitting, with integral check valve
- Special hose for shower affusion



Kneipp affusion kit concealed

- Hydrotherapy kit for wall mounting
- DN20, cold and warm water connection
- With anti-scald protection and integral stop valve
- Chrome plated connector fitting, with integral check valve
- Special hose for shower affusion

CONHEAD Rain shower heads & hand shower kit

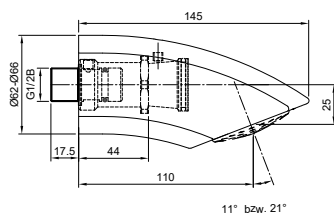
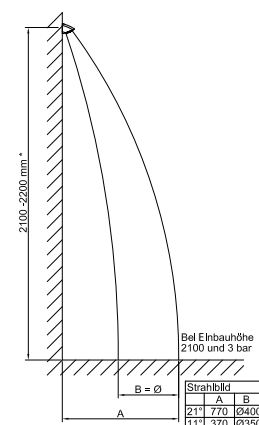


CONHEAD shower head SHORTY, DN15

- Fixed shower head, heavy, solid, chrome plated brass design, shower head base made of fibreglass-reinforced plastic and anti-scale nozzles with invisible, theft-proof fixings, normal jet, with adjustable flow angle, low aerosol
- Brass plug-in connection (prefitted for shower panels), with integral flow rate controller

Connection: G 1/2 B
 Flow rate: 0.15 l/s (Flow rate controller)
 Minimum flow pressure: 1.0 bar
 Water temperature (max.): 75 °C
 Projection: 45 mm
 Flow angle: 11° bzw. 21°

Type	Material/Colour	Order number
For wall mounting	Chrome	CONO030000
For shower panels	Chrome	CONO030010

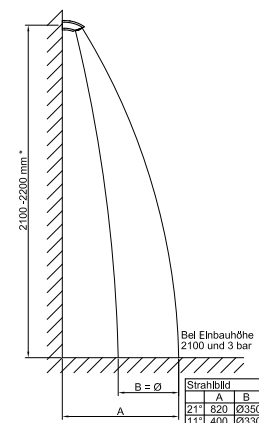


CONHEAD shower head RAIN2, DN15

- Fixed shower head, heavy, solid, chrome plated brass design, shower head base made of fibreglass-reinforced plastic and anti-scale nozzles with invisible, theft-proof fixings, normal jet, with adjustable flow angle, low aerosol
- Brass plug-in connection (prefitted for shower panels), with integral flow rate controller

Connection: G 1/2 B
 Flow rate: 0.15 l/s (Flow rate controller)
 Minimum flow pressure: 1.0 bar
 Water temperature (max.): 75 °C
 Projection: 110 mm
 Flow angle: 11° bzw. 21°

Type	Material/Colour	Order number
For wall mounting	Chrome	CONO020000
For shower panels	Chrome	CONO020010



CONHEAD hand shower kit, DN15

- Plastic hand shower, with anti-scale nozzles in a hygienic single-jet version, chrome plated; shower hose, 1750 mm long, made of plastic silver, smooth
- Shower head bar, 1000 mm long, solid, made of stainless steel, fine matt finish, Ø 22 mm, with infinitely adjustable hand shower bracket made of stainless steel and plastic coated modular elements, with ergonomically curved handle for safe and easy single-handed height adjustment without twisting
- With wall bracket made from black-grey (RAL 7021) aluminium, Ø 70 mm, with fixing concealed by stainless steel cover panels with a fine matt finish, fixing hardware included for solid masonry
- Shower head bar already prefitted on shower panel

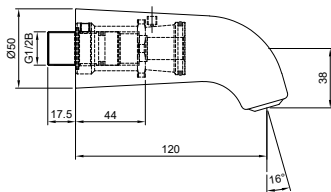
Connection: G 1/2
 Total length: 1000 mm

Type	Material/Colour	Order number
For wall mounting	Chrome	CONO040000
For shower panels	Chrome	CONO040010



Shower heads

CONHEAD Jet shower head

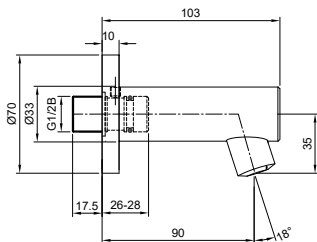
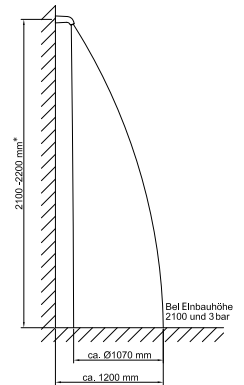


CONHEAD shower head GOLF, DN15

- Fixed shower head, heavy, solid, chrome plated brass design, with low maintenance single-jet nozzle, low aerosol
- Brass plug-in connection (prefitted for shower panels), with integral flow rate controller

Connection: G 1/2 B
 Flow rate: 0.15 l/s (Flow rate controller)
 Minimum flow pressure: 1.0 bar
 Water temperature (max.): 75 °C
 Projection: 120 mm
 Flow angle: 16°

Type	Material/Colour	Order number
For wall mounting	Chrome	CONO010000
For shower panels	Chrome	CONO010010

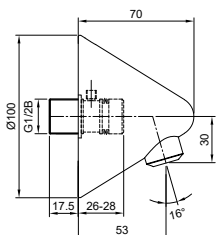
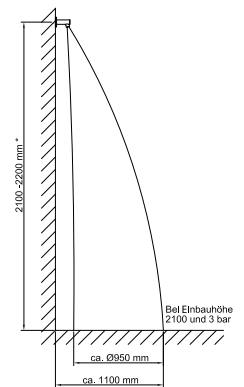


CONHEAD shower head CITY, DN15

- Fixed shower head, heavy, solid, chrome plated brass design, alternative 1.4404 stainless steel design, with integral swirl insert, low maintenance single-jet nozzle, low aerosol
- Brass plug-in connection (prefitted for shower panels), with integral flow rate controller
- Can be supplied with 0.1 l/s and 0.2 l/s flow rate controller

Connection: G 1/2 B
 Flow rate: 0.15 l/s (Flow rate controller)
 Minimum flow pressure: 1.0 bar
 Water temperature (max.): 75 °C
 Projection: 90 mm
 Flow angle: 18°

Type	Material/Colour	Order number
For wall mounting	Chrome	CONO050000
	Stainless steel	CONO051000
For shower panels	Chrome	CONO050010
	Stainless steel	CONO051010

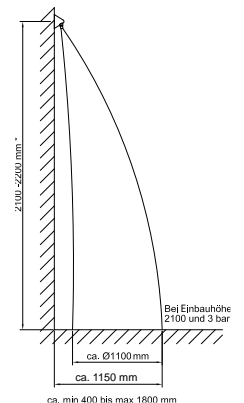


CONHEAD shower head VESUV, DN15

- Fixed shower head, heavy, solid, chrome plated brass design with integral swirl insert, low maintenance single-jet nozzle, low aerosol
- Brass plug-in connection (prefitted for shower panels), with integral flow rate controller

Connection: G 1/2 B
 Flow rate: 0.15 l/s (Flow rate controller)
 Minimum flow pressure: 1.0 bar
 Water temperature (max.): 75 °C
 Projection: 53 mm
 Flow angle: 16°

Type	Material/Colour	Order number
For wall mounting	Chrome	CONO060000
For shower panels	Chrome	CONO060010



Shower heads

Accessories

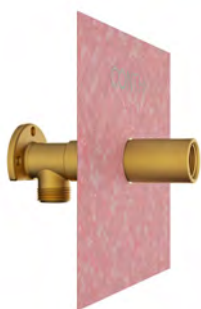


Wall elbow connector, DN15

Wall elbow connector, high-gloss chrome plated, intrinsically safe to DIN EN 1717, plastic designer casing.

Connection: G 1/2 B

Description	Material/Colour	Order number
Wall elbow connector	High-gloss chrome	CONO092000

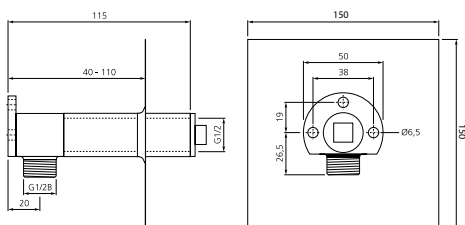


Wall outlet, DN15

- Waterproof wall outlet, designed as a wall plate
- With extension and sealing collar with flexible expansion zone as per DIN 18543

Connection Inlet: G 1/2 B
 Connection Outlet: G 1/2
 Sealing collar: 150x150 mm
 Total length: 115 mm

Description	Material/Colour	Order number
Wall outlet with sealing collar	Brass	CONO090000



Adaptor for plug-in connection for shower heads, DN15

Adaptor for plug-in connection (small) for retrofitting shower panels and CONHEAD GOLF and RAIN2 wall mounted shower heads.

- Brass base body, with grub screw for fixing in place

Length: 69 mm
 Diameter: 33 mm

Description	Material/Colour	Order number
Adaptor for shower heads GOLF und RAIN2	Brass	CONO094000

Shower heads

Accessories

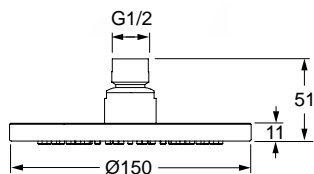


CONTI+ Water flow regulator set, DN15, 6 litres | 9 litres | 12 litres

Water flow regulator set, for use in plug-in connection 0960550 for shower heads SHORTY, CITY, VESUV and for plug-in connection adapter CONO094000 for shower heads GOLF and RAIN2. Made of plastic, with locking ring.

Description	Flow rate	Colour	Order number
Water flow regulator 3 pieces with locking ring	6 l	black	CONZ0690006
	9 l	orange	CONZ0690000
	12 l	red	CONZ0690012

CONWELL rain shower heads



CONWELL rain shower head round 150, DN15

For wall and ceiling mounting via shower tubing or shower head arm.

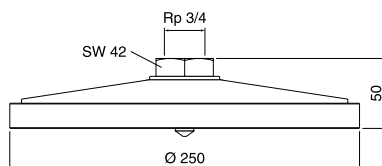
Includes:

- Multi-jet shower head for mounting on ceilings, made of brass, soft jet, low aerosol, with anti-scale nozzles, chrome plated
- With ball joint

Connection: G 1/2
 Diameter: 150 mm
 Flow rate: 0.4 l/s
 (3 bar flow pressure)
 Minimum flow pressure: 0.5 bar
 Water temperature (max.): 70 °C

Description	Diameter	Material/Colour	Order number
CONWELL rain shower head round	150 mm	Chrome	CONH04131000150

Spa & Wellness



CONWELL rain shower head round 250, DN20

For wall and ceiling mounting via shower tubing or shower head arm.

Includes:

- Multi-jet shower head, heavy, solid design, red brass housing, chrome plated
- Shower head base made of 1.4301 stainless steel, low aerosol, brushed finish
- With ball joint

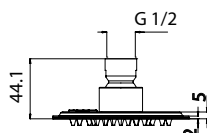
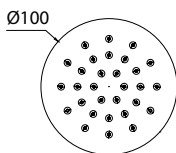
Connection: Rp 3/4
 Diameter: 250 mm
 Flow rate: 1.95 l/s
 (1 bar flow pressure)
 Minimum flow pressure: 0.5 bar
 Water temperature (max.): 75 °C

Description	Diameter	Material/Colour	Order number
CONWELL rain shower head round	250 mm	Chrome	CONH04231000250

Optional accessories	Nom. width	Material/Colour	Order number
Shower head arm with bracket	DN20	Chrome	CONO091451



CONWELL rain shower heads with safety valve



For wall and ceiling mounting via shower tubing or shower head arm:

- Round, lightweight and flat design
- Two-layer, stainless steel laser welding
- Patented safety valve

Includes:

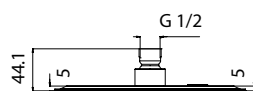
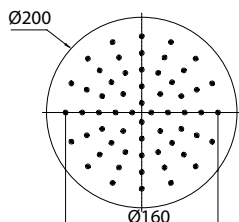
- Shower head: AISI 304 stainless steel, chrome plated
- Antibacterial anti-scale silicone nozzles
- Chrome plated ball joint connection

CONWELL rain shower head, round, 100, DN15

Minimum flow pressure: 1.0 bar
 Flow rate: 9 l/min (Flow rate controller)
 Water temperature (max.): 70 °C (briefly 80 °C for thermal disinfection)
 Empty weight: 0.4 kg
 Diameter: 100 mm
 Number of nubs: 30
 Connection: G 1/2

Water pressure (max.): 3 bar

Description	Diameter	Material/Colour	Order number
CONWELL rain shower head round	100 mm	Chrome plated	CONH14131000100

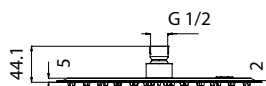
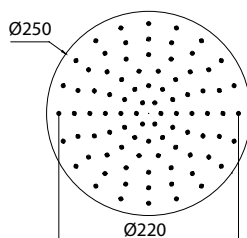


CONWELL rain shower head, round, 200, DN15

Minimum flow pressure: 1.0 bar
 Flow rate: 9 l/min (Flow rate controller)
 Water temperature (max.): 70 °C (briefly 80 °C for thermal disinfection)
 Empty weight: 0.8 kg
 Diameter: 200 mm
 Number of nubs: 60
 Connection: G 1/2

Water pressure (max.): 5 bar

Description	Diameter	Material/Colour	Order number
CONWELL rain shower head round	200 mm	Chrome plated	CONH14131000200



CONWELL rain shower head, round, 250, DN15

Minimum flow pressure: 1.0 bar
 Flow rate: 9 l/min (Flow rate controller)
 Water temperature (max.): 70 °C (briefly 80 °C for thermal disinfection)
 Empty weight: 1.0 kg
 Diameter: 250 mm
 Number of nubs: 88
 Connection: G 1/2

Water pressure (max.): 5 bar

Description	Diameter	Material/Colour	Order number
CONWELL rain shower head round	250 mm	Chrome plated	CONH14131000250

CONWELL rain shower heads with safety valve

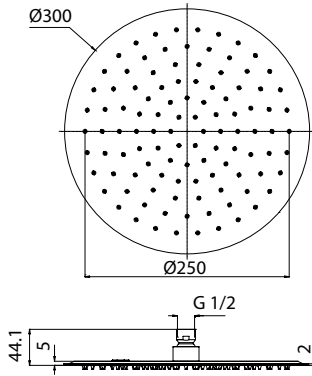


For wall and ceiling mounting via shower tubing or shower head arm:

- Round, lightweight and flat design
- Two-layer, stainless steel laser welding
- Patented safety valve

Includes:

- Shower head: AISI 304 stainless steel, chrome plated
- Antibacterial anti-scale silicone nozzles
- Chrome plated ball joint connection



CONWELL rain shower head, round, 300, DN15

Minimum flow pressure: 1.0 bar
 Flow rate: 15 l/min (Flow rate controller)
 Water temperature (max.): 70 °C (briefly 80 °C for thermal disinfection)
 Empty weight: 1.2 kg
 Diameter: 300 mm
 Number of nubs: 108
 Connection: G 1/2

Water pressure (max.): 5 bar

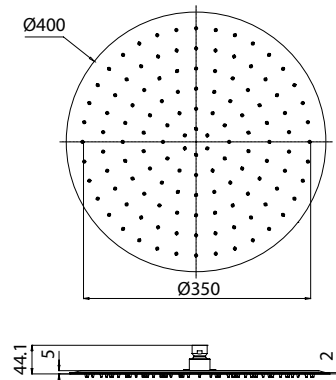
Description	Diameter	Material/Colour	Order number
CONWELL rain shower head round	300 mm	Chrome plated	CONH14131000300



CONWELL rain shower head, round, 400, DN15

Minimum flow pressure: 1.0 bar
 Flow rate: 15 l/min (Flow rate controller)
 Water temperature (max.): 70 °C (briefly 80 °C for thermal disinfection)
 Empty weight: 1.6 kg
 Diameter: 400 mm
 Number of nubs: 126
 Connection: G 1/2

Water pressure (max.): 5 bar



Description	Diameter	Material/Colour	Order number
CONWELL rain shower head round	400 mm	Chrome plated	CONH14131000400

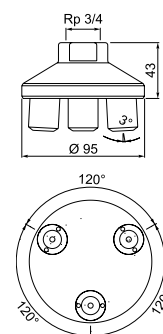
CONWELL jet shower heads



CONWELL jet shower heads MAXI, DN20

For ceiling mounting. Fixed shower head, heavy, solid brass design, with three single-jet nozzles, low maintenance, low aerosol, chrome plated.

Connection: Rp 3/4
 Diameter: 95 mm
 Flow rate: 0.46 l/s (1.0 bar Flow pressure)
 Minimum flow pressure: 1.0 bar
 Water temperature (max.): 75 °C



Description	Nom. width	Material/Colour	Order number
CONWELL jet shower heads MAXI	DN20	Chrome plated	CONH0313000003

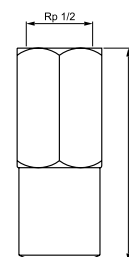
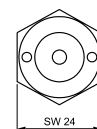


CONWELL jet shower heads MINI, DN15

For ceiling mounting. Fixed shower head, heavy, solid brass design, with integral flow rate controller, integral swirl insert and low maintenance single-jet nozzle, low aerosol, chrome plated.

Connection: Rp 1/2
 Flow rate: 0.15 l/s (Flow rate controller)
 Minimum flow pressure: 1.0 bar
 Water temperature (max.): 75 °C

Can be supplied with 0.1 l/s and 0.2 l/s flow rate controller.



Description	Nom. width	Material/Colour	Order number
CONWELL jet shower heads MINI	DN15	Chrome plated	CONH0313000001

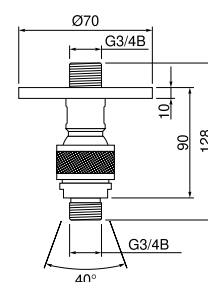


CONWELL shower head ball joint, external thread/external thread, DN20

Heavy, solid brass design, with collar, chrome plated

Connection Inlet: G 3/4 B
 Connection Outlet: G 3/4 B

Description	Nom. width	Material/Colour	Order number
CONWELL shower head ball joint ET/ET	DN20	Chrome plated	CONO092211



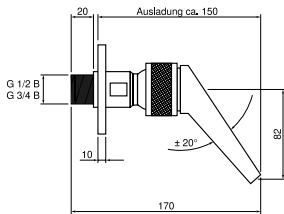
CONHEAD downpour shower heads



CONHEAD downpour shower head, DN15

Heavy, solid brass design, for wall mounting, with ball joint and collar, low aerosol, chrome plated.

Connection: G 1/2 B
 Flow rate: 0,66 l/s (1.0 bar)
 Minimum flow pressure: 0,5 bar
 Water temperature (max.): 75 °C
 Projection: 150 mm

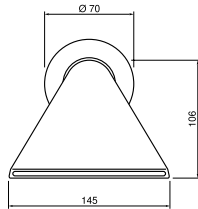


Description	Nom. width	Material/Colour	Order number
CONHEAD downpour shower head	DN15	Chrome plated	CONO070000

CONHEAD downpour shower head, DN20

Heavy, solid brass design, for wall mounting, with ball joint and collar, low aerosol, chrome plated.

Connection: G 3/4 B
 Flow rate: 0.73 l/s (1.0 bar)
 Minimum flow pressure: 0.5 bar
 Water temperature (max.): 75 °C
 Projection: 150 mm



Description	Nom. width	Material/Colour	Order number
CONHEAD downpour shower head	DN20	Chrome plated	CONO070001

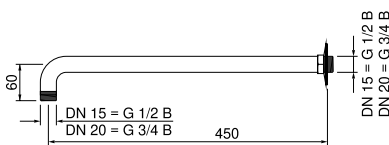
Shower head arms



For mounting shower heads to the wall. Heavy, solid brass design, with collar, chrome plated.

Shower head arm, DN15 | DN20

Connection DN15: G 1/2 B
 Connection DN20: G 3/4 B
 Projection: 450 mm

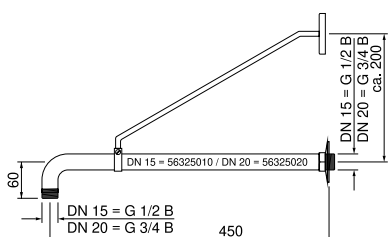


Description	Nom. width	Material/Colour	Order number
Shower head arm	DN15	Chrome plated	CONO090450
	DN20	Chrome plated	CONO090451



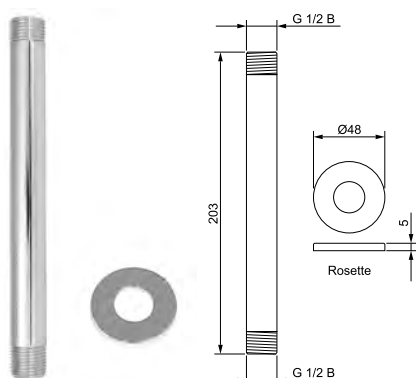
Shower head arm with bracket, DN15 | DN20

Connection DN15: G 1/2 B
 Connection DN20: G 3/4 B
 Projection: 450 mm



Description	Nom. width	Material/Colour	Order number
Shower head arm with bracket	DN15	Chrome plated	CONO091450
	DN20	Chrome plated	CONO091451

Ceiling shower arm



For mounting shower heads to the ceiling.
Heavy, solid brass design, with collar, chrome plated

Connection: G 1/2 B
Length: 203 mm
Collar: Ø 48 mm

Description	Length	Material/Colour	Order number
Shower arm, DN15	203 mm	Chrome plated	CONO092200

CONWELL bucket downpour shower



Includes:

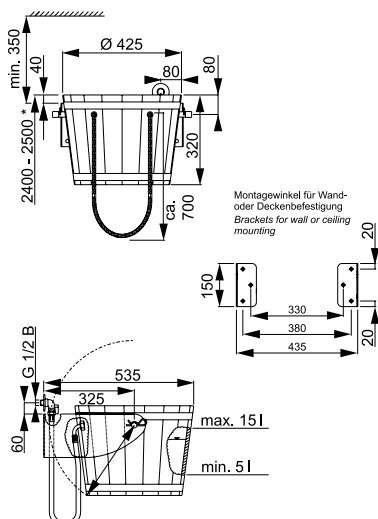
- Wooden bucket made of Iroko (Kambala); strong, white plastic pull cord
- Suspension device made of 1.4301 stainless steel
- For wall or ceiling mounting
- Terminal set with angle valve, flexible connection hose and automatic fill valve
- Water volume adjustable at fill valve

Connection: G 1/2
Capacity (min.): 5 l
Capacity (max.): 15 l
Empty weight: 11 kg

CONWELL bucket downpour shower for indoors, DN15

With transparent coating on the inside and outside.

Description	Type	Order number
CONWELL bucket downpour shower	for indoors	CONH05000001000



CONWELL bucket downpour shower for outdoors, DN15

With weather-resistant glazing on the outside, blue sanitary seal on the inside.

Description	Type	Order number
CONWELL bucket downpour shower	for outdoors	CONH05000000000

CONWELL Kneipp kits with angle stop valve



CONWELL power shower kit, with angle stop valve, DN15 | DN20

Hydrotherapy kit for power showers with angle stop valve, white hose, hose length 1500 mm, for wall mounting.

Includes:

- 1 angle stop valve with ceramic head and designer handle, entirely made of chrome plated brass
- 1 special hose for power showers in white, 1500 mm, with white plastic power nozzle
- 1 connector fitting, chrome plated, with integral check valve
- 1 hose holder, chrome plated plastic

Hose length 1500 mm

Description	Nom. width	Colour	Order number
CONWELL power shower kit, with angle stop valve	DN15	White	CONH21136000000
	DN20	White	CONH21236000000



CONWELL Kneipp affusion kit, with angle stop valve, DN15 | DN20

Hydrotherapy kit for Kneipp affusions with angle stop valve, white hose, for wall mounting.

Includes:

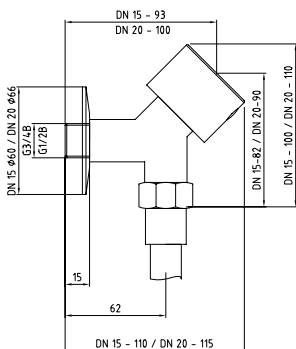
- 1 angle stop valve with ceramic head and designer handle, entirely made of chrome plated brass
- 1 special hose for Kneipp affusions in white
- 1 connector fitting, chrome plated, with integral check valve
- 1 hose holder, chrome plated plastic

Hose length 1500 mm

Description	Nom. width	Colour	Order number
CONWELL Kneipp affusion kit, with angle stop valve	DN15	White	CONH22136000150
	DN20	White	CONH22236000150

Hose length 2400 mm

Description	Nom. width	Colour	Order number
CONWELL Kneipp affusion kit, with angle stop valve	DN15	White	CONH22136000240
	DN20	White	CONH22236000240



Technical data

Connection DN15:	G 1/2 B
Connection DN20:	G 3/4 B
Operating pressure (max.):	6.0 bar
Flow rate 1 bar:	0.13 l/s
Flow rate 3 bar:	0.36 l/s

CONWELL Kneipp kits with ball connector



CONWELL power shower kit, with ball valve, DN15 | DN20

Hydrotherapy kit for power showers with wall elbow connector (ball shape), white hose, hose length 1500 mm, for wall mounting.

Includes:

- 1 wall elbow connector, brass housing and collar, chrome plated
- 1 special hose for power showers in white, 1500 mm, with white plastic power nozzle
- 1 connector fitting, chrome plated, with integral check valve
- 1 hose holder, chrome plated plastic

Hose length 1500 mm

Description	Nom. width	Colour	Order number
CONWELL power shower kit, with ball valve	DN15	White	CONH21137000000
	DN20	White	CONH21237000000



CONWELL Kneipp affusion kit, with ball valve, DN15 | DN20

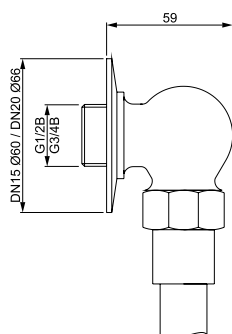
Hydrotherapy kit for Kneipp affusion with wall elbow connector (ball shape), white hose, for wall mounting.

Includes:

- 1 wall elbow connector, brass housing and collar, chrome plated
- 1 special hose for Kneipp affusion in white, with white plastic power nozzle
- 1 connector fitting, chrome plated, with integral check valve
- 1 hose holder, chrome plated plastic

Hose length 1500 mm

Description	Nom. width	Colour	Order number
CONWELL Kneipp affusion kit, with ball valve	DN15	White	CONH22137000150
	DN20	White	CONH22237000150



Hose length 2400 mm

Description	Nom. width	Colour	Order number
CONWELL Kneipp affusion kit, with ball valve	DN15	White	CONH22137000240
	DN20	White	CONH22237000240

Technical data

Connection DN15:	G 1/2 B
Connection DN20:	G 3/4 B
Operating pressure (max.):	6.0 bar
Flow rate 1 bar:	0.13 l/s
Flow rate 3 bar:	0.36 l/s

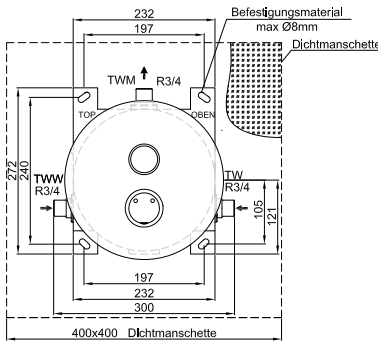
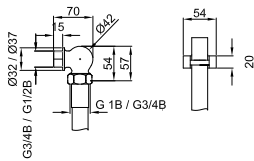
CONWELL concealed kit, Kneipp affusion, DN20



Hydrotherapy kit for Kneipp affusions, with anti-scald protection and integral stop valve, with manual thermal disinfection option, 2400 mm hose, white, for wall mounting, for connection to cold and hot water.

Includes:

- 1 stop valve, DN20, with ceramic head
- 1 thermostatic mixer faucet, solid metal design, brass housing and actuating element, integral non-return valves (DVGW-certified) and stainless steel strainers in easy-to-maintain cartridge design, temperature setting range 10 - 50 °C, safety lock with fixed end-stop, stop valve and anti-scald protection in case of cold water failure, chrome plated
- 1 recessed wall mounting enclosure made of ABS, dimensions (WxHxD): 232x272x96 mm, mounting straps for on-site fixing hardware with max. 8 mm diameter, trim to tile front edge, 230 mm wall outlet diameter, condensate drain slop
- Sealing collar: PE, dimensions (WxH): 400x400 mm, with flexible expansion zone as per DIN 18534-3, sealed inlets and outlets, hygienically checked for leaks
- 1 round cover plate, 1.4301 stainless steel, brushed finish, as a plug-in system, with concealed anti-theft proof fixing and sealing system
- 1 wall elbow connector (ball shape), chrome plated brass housing and collar, for on-site mounting
- 1 special hose for Kneipp affusions in white, chrome plated connector fitting, with integral check valve
- With integral check valve, 1 hose holder, chrome plated plastic

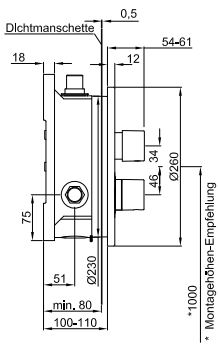


Hose length 2400 mm

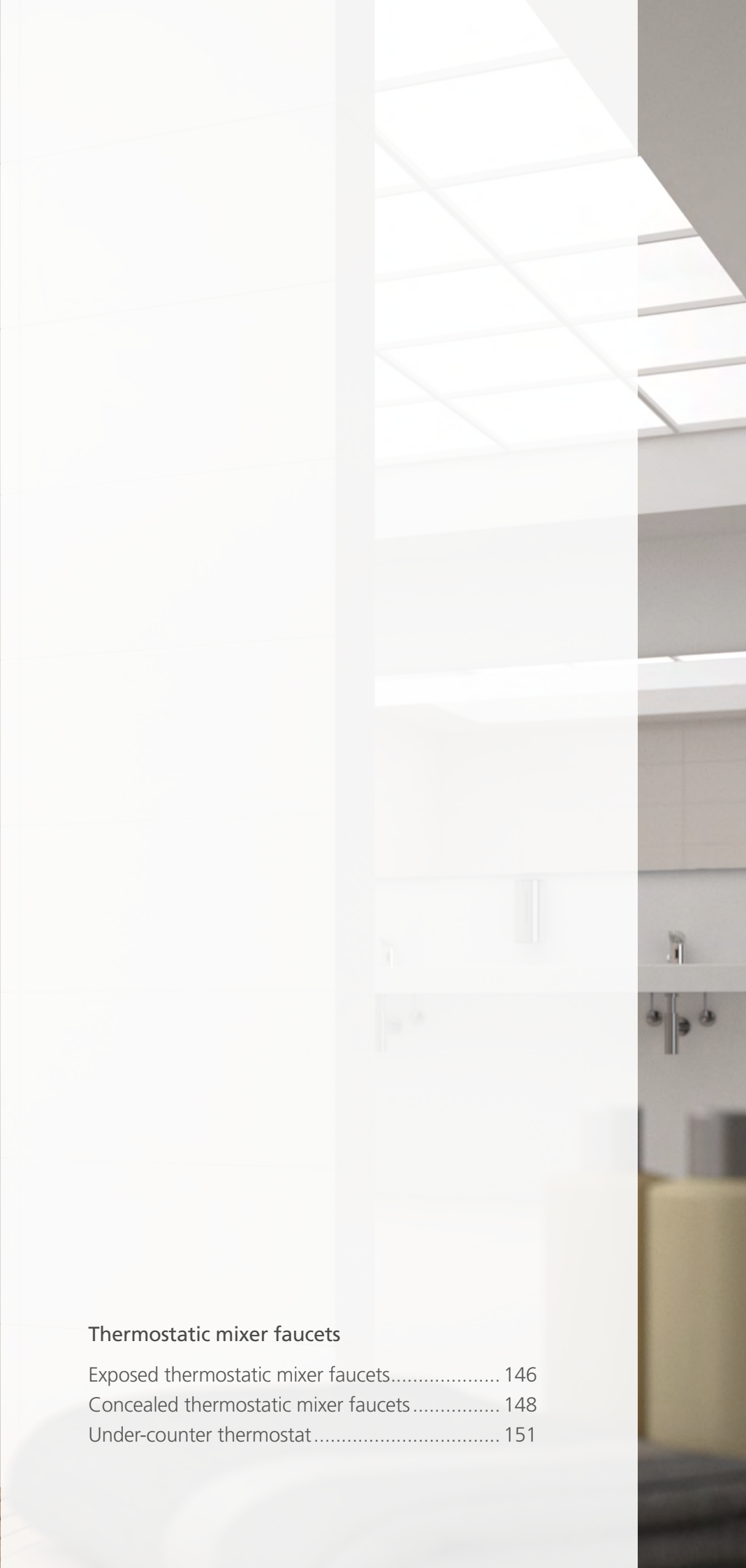
Description	Nom. width	Colour	Order number
CONWELL concealed kit, Kneipp affusion	DN20	White	CONH2922200000

Technical data

Mounting depth (min./max.): 100 / 110 mm
 Connections: R 3/4 (Thermostatic mixer faucet)
 G 3/4 B (Ball connector)
 Flow rate: 0.16 l/s (1 bar Flow pressure)
 0.36 l/s (3 bar Flow pressure)
 Operating pressure (max.): 6.0 bar
 Dimensions (ØxD): 250x11 mm







Thermostatic mixer faucets

Exposed thermostatic mixer faucets..... 146
Concealed thermostatic mixer faucets..... 148
Under-counter thermostat..... 151

CONTHERM exposed thermostatic mixer faucets



CONTHERM thermostatic mixer faucet fitting, exposed, DN15–DN40

Thermostatic mixer faucet with anti-scald protection, for providing hot water at a constant temperature, for wall mounting, with fittings.

Includes:

- 1 thermostatic mixer faucet, red brass housing, working part designed as a cartridge system on a bi-metal basis with pressure compensation system for higher temperature stability, with temperature selector for fixed or limited settings and degree scale, 30 - 70 °C (blue handle), with non-return valves and strainers, chrome plated
- 3 fittings, chrome plated

Technical data

Connections: DN15 DN20 DN25 DN32 DN40
 R 1/2 R 3/4 R 1 R 1 1/4 R 1 1/2

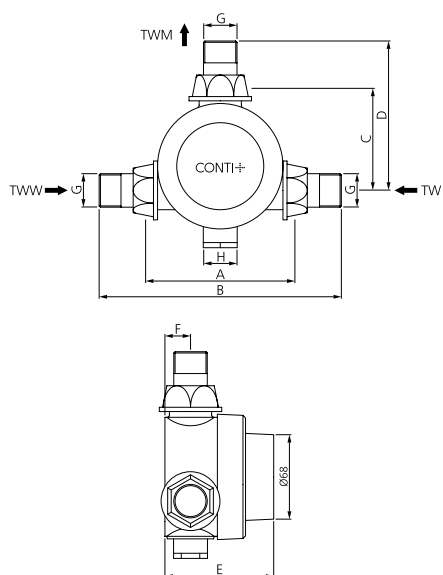
Flow rate: 0.46 l/s 1.33 l/s 2.00 l/s 2.91 l/s 4.33 l/s

Operating pressure (max.): 6.0 bar

Differential pressure (max.): Domestic hot water to cold drinking water: 1.5 bar

Domestic hot water (max.): 85 °C

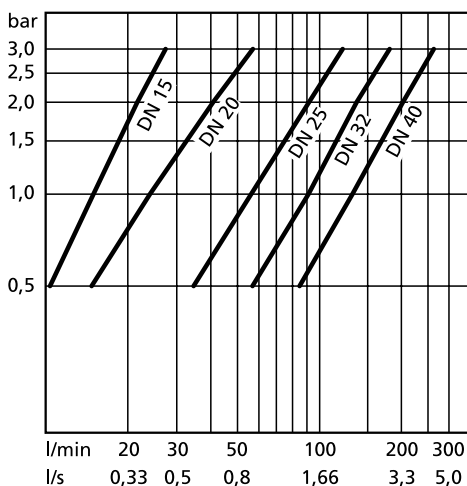
Domestic hot water (min.): Mixed drinking water + 5 K



DN	A	B	C	D	E	F	G	H
15	103	177	52	89	100	17,5	R 1/2	
20	117	197	82	122	93	18	R 3/4	G 3/4 B
25	133	223	94,5	139,5	101	23	R 1	G 3/4
32	176	306	111,5	176,5	116	24	R 1 1/4	G 3/8
40	217	241	134	196	127	32	R 1 1/2	G 3/8

Nom. diameter	Connection	Temperature setting range	Order number
DN15	R 1/2	15–50 °C	CONM92604000015
DN20	R 3/4	30–70 °C	CONM92604000020
DN25	R 1	30–70 °C	CONM92604000025
DN32	R 1 1/4	30–70 °C	CONM92604000032
DN40	R 1 1/2	30–70 °C	CONM92604000040

Flow diagram



Thermostatic mixer faucets

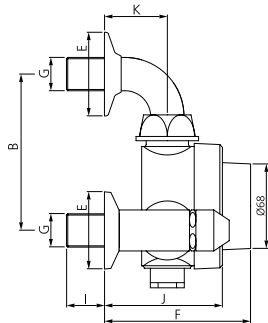
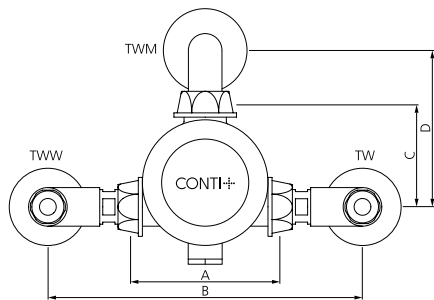


CONTHERM thermostatic mixer faucet angle fitting, exposed, DN15 – DN20

Thermostatic mixer faucet, with anti-scald protection, for providing hot water at a constant temperature, for wall mounting, with angle fittings.

Includes:

- 1 thermostatic mixer faucet, red brass housing, working part designed as a cartridge system on a bi-metal basis with pressure compensation system for higher temperature stability, with temperature selector for fixed or limited settings and degree scale, with non-return valves and strainers, chrome plated
- 3 angle fittings, inlets with shut-off, chrome plated



Technical data

Connections: DN15 DN20
R 1/2 R 3/4

Flow rate: 0.46 l/s 1.33 l/s

Operating pressure (max.): 6.0 bar

Differential pressure (max.): Domestic hot water to cold drinking water: 1.5 bar

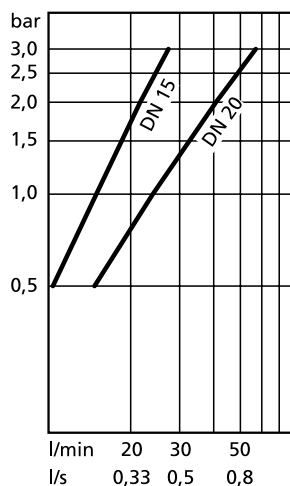
Domestic hot water (max.): 85 °C

Domestic hot water (min.): Mixed drinking water + 5 K

DN	A	B	C	D	E	F	G	I	J	K
15	103	157 ± 20	52	96	Ø 70	115	R 1/2	25	65	45
20	117	270 ± 5	82	124	Ø 70	118	R 3/4	30	68	45

Nom. diameter	Connection	Temperature setting range	Order number
DN15	R 1/2	15–50 °C	CONM92604001015
DN20	R 3/4	30–70 °C	CONM92604001020

Flow diagram



CONTHERM concealed thermostatic mixer faucets



CONTHERM 40 °C thermostatic mixer faucet, DN15–DN50

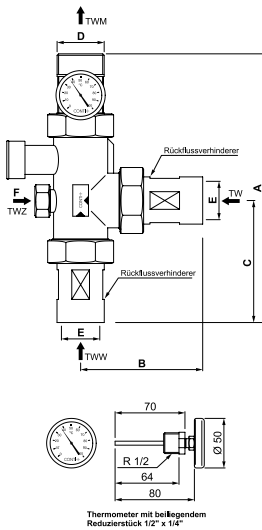
Thermostatic mixer faucet, with anti-scald protection, for providing hot water at a constant temperature.

Includes:

- 1 thermostatic mixer faucet, red brass housing, working part on an expanding material basis, socket wrench operation and 30 – 45 °C standard temperature setting range
- 2 fittings with integral non-return valve
- 1 outlet fitting
- Bi-metal dial thermometer, 0 – 100 °C, G 1/4 B threaded connector, 75 mm sensor well

Technical data

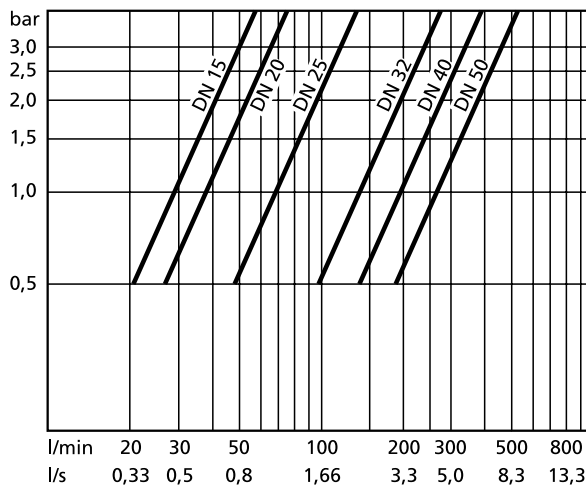
Operating pressure (max.): 6,0 bar
 Temperature setting range: 30–45 °C (Factory setting 40 °C)
 Domestic hot water (max.): 80 °C



DN	A	B	C	D	E	F	Weight (kg)
15	153	75,5	75,5	Rp 1/2	Rp 1/2	-/-	1.10
20	215	92	92	R 1	Rp 3/4	G 1/2 B	1,50
25	253	116	116	R 1 1/4	Rp 1	G 3/4 B	2.24
32	275	124	124	R 1 1/2	R 1 1/4	G 3/4 B	3.90
40	265	139	139	R 1 1/2	R 1 1/2	G 3/4 B	4.42
50	306	159	159	R 2	Rp 2	G 3/4 B	7.16

Nom. diameter	Connection	Temperature setting range	Order number
DN15	R 1/2	30–45 °C	CONM92504002015
DN20	R 3/4	30–45 °C	CONM92504002020
DN25	R 1	30–45 °C	CONM92504002025
DN32	R 1 1/4	30–45 °C	CONM92504002032
DN40	R 1 1/2	30–45 °C	CONM92504002040
DN50	R 2	30–45 °C	CONM92504002050

Flow diagram



Thermostatic mixer faucets



CONTHERM 55 °C thermostatic mixer faucet, DN15–DN50

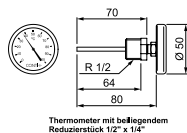
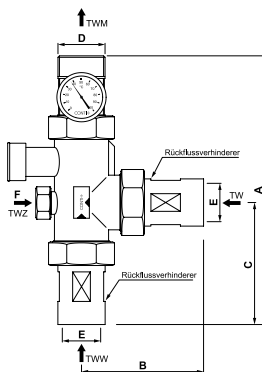
Thermostatic mixer faucet, with anti-scald protection, for providing hot water at a constant temperature.

Includes:

- 1 thermostatic mixer faucet, red brass housing, working part on an expanding material basis, socket wrench operation and 45 – 65 °C standard temperature setting range
- 2 fittings with integral non-return valve
- 1 outlet fitting
- Bi-metal dial thermometer, 0 – 100 °C, G 1/4 B threaded connector, 75 mm sensor well

Technical data

Operating pressure (max.): 6.0 bar
 Temperature setting range: 45–65 °C (Factory setting 55 °C)
 Domestic hot water (max.): 80 °C

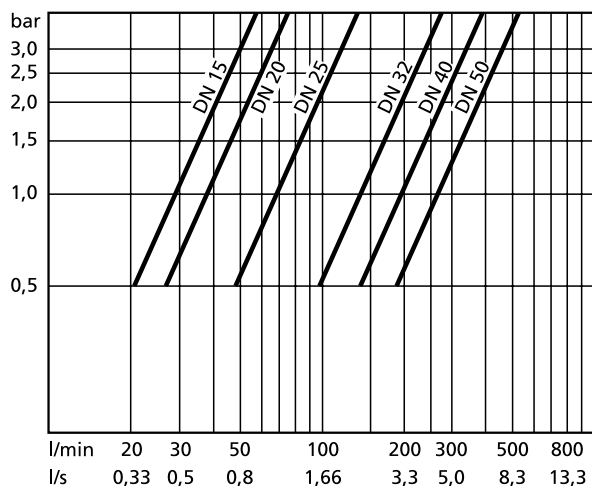


Thermometer mit beiliegendem Reduzierstück 1/2" x 1/4"

DN	A	B	C	D	E	F	Weight (kg)
15	153	75.5	75.5	Rp 1/2	Rp 1/2	-/-	1.10
20	215	92	92	R 1	Rp 3/4	G 1/2 B	1.50
25	253	116	116	R 1 1/4	Rp 1	G 3/4 B	2.24
32	275	124	124	R 1 1/2	R 1 1/4	G 3/4 B	3.90
40	265	139	139	R 1 1/2	R 1 1/2	G 3/4 B	4.42
50	306	159	159	R 2	Rp 2	G 3/4 B	7.16

Nom. diameter	Connection	Temperature setting range	Order number
DN15	R 1/2	45–65 °C	CONM92504001015
DN20	R 3/4	45–65 °C	CONM92504001020
DN25	R 1	45–65 °C	CONM92504001025
DN32	R 1 1/4	45–65 °C	CONM92504001032
DN40	R 1 1/2	45–65 °C	CONM92504001040
DN50	R 2	45–65 °C	CONM92504001050

Flow diagram



Thermostatic mixer faucets



CONTHERM under-counter thermostat

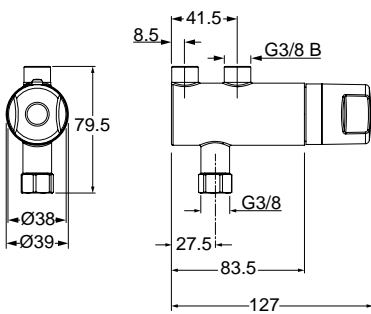


CONTHERM under-counter thermostat, DN15, with connection kit

- For installation under the countertop
 - For connection to cold and hot water
 - Intrinsically safe
 - With anti-scald protection
 - Safety stop and "legionella handle" for easy manual thermal disinfection
 - Housing and temperature selector element made of chrome plated brass
 - With integral non-return valves
- Includes:
 - 1 thermostatic mixer faucet
 - 1 connection kit for mounting on existing angle valves

Technical data

Operating pressure:	5.0 bar
Flow rate:	0.2 l/s (1 bar Flow rate)
Water temperature (max.):	75 °C
Temperature setting range:	30–70 °C
Inlet connection:	G 3/8 B
Outlet connection:	G 3/8



Description	Design	Order number
CONTHERM under-counter thermostat	with connection kit	CONM9164000000



WASHROOM SOLUTIONS

Washbasin- & Urinal faucets | Wash basins | Sanitary room equipment







Electronic washbasin faucets

Washroom solutions at a glance.....	156
Functional options	158
Connecting options	160

Touch-free washbasin faucets

ultra.....	163
lino	171
lumino	178
Senso.....	185
iQ	186
loopino	188
maxx.....	190
umaxx.....	193

Washbasin faucets with start/stop button

tipolino	182
----------------	-----

Concealed wall mounted washbasin faucets

ultra	195
lino	196
iQ	198
CONGENIAL FIT	200

Exposed wall mounted washbasin faucets

lino	204
------------	-----

Multiple faucet units

lino	209
CONGENIAL	210

Accessories

Faucet accessories.....	239
-------------------------	-----

CONTI+ Washbasin faucets

Washroom solutions at a glance



Faucet series ultra

- Touch-free, electronically controlled
- For cold and hot water or premixed water
- With or without mixing
- IR sensor | Dual IR sensor technology
- With integral stop valve (TwistStop)
- Various types in 3 heights
- Chrome plated or in 3 other colours



Faucet PRIMUS

- Touch-free, electronically controlled
- For cold and hot water connection, flexible connection lines
- Electronic anti-scalding protection (DIN EN 1111)
- IR sensor | IR sensor technology
- Thermostat-E electronic mixer
- Separate sanitary rinse
- Chrome plated



Faucet series lino | lumino | tipolino

- Touch-free, electronically controlled or start/stop button
- For cold and hot water or premixed water
- With | without mixing | non-pressurised
- IR sensor | IR sensor technology
- Fully automatic self-calibration
- lino AS with anti-scalding protection
- Chrome plated or in 3 other colours



Faucet series loopino

- Touch-free, electronically controlled
- For cold and hot water, premixed water or open vented hot water heater
- With | without mixing | non-pressurised
- Dual IR sensor technology
- Chrome plated



Faucet series maxx | umaxx

- Touch-free, electronically controlled
- For cold and hot water or premixed water
- With or without mixing
- IR sensor with touch control
- Temperature limit adjustable
- Chrome plated



Wall mounted faucet ultra

- Touch-free, electronically controlled
- For cold or premixed water
- Without mixing
- Dual IR sensor technology
- With integral stop valve (TwistStop)
- Chrome plated



Faucets with instant water heater

- Hot water is produced directly under the washbasin
- The electronic temperature control "HCFS" automatically heats the right amount of water to the required temperature
- Power supply: Mains operation
- lumino+ L10c incl. Colour ring indicator



Faucet Senso

- Touch-free, electronically controlled
- Water connection with flexible pressure lines (mixer directly on angle valve)
- Electronic mixing unit with motor drive
- IR sensor technology
- Electronic touch control
- Water jet illumination
- Chrome plated



Faucet series iQ

- Touch-free, electronically controlled
- For cold and hot water, premixed water or open vented hot water heater
- With | without mixing | non-pressurised
- Dual IR sensor technology
- Chrome plated



Wall mounted faucet CONGENIAL FIT

- Touch-free, electronically controlled
- For cold and hot water connection
- With mixing / thermostat
- IR-Sensor or piezo push button
- Fully fitted kit, angular
- Projection: 170 | 220 mm
- Stainless steel or chrome plated



Wall mounted faucet lino W-series

- Touch-free, electronically controlled or start/stop button (W45)
- Flush-mounted | Spout fixed
- With thermostat
- Dual IR sensor technology
- Chrome plated





Faucets mechanical (SofTouch)

- Mechanical, hydraulically controlled
- For cold and hot water or premixed water
- With | without mixing
- Shut-off faucet with smooth actuation
- CONTI+ self-closing cartridge technology
- Stainless steel or chrome plated

Functional options

Overview of washbasin faucets (Not all functions can be combined)

FUNCTIONAL CHARACTERISTICS											
Faucets	Water flow actuation				Resource-saving functions				Function key		
	Self-closing function, electronic		Self-closing function, mechanical	Mechanical	Adjustable water flow time	Optional valve units: reduced flow rate	Solar module	Turbine			Function key Touch
	IR sensor	Piezo switch	Water-hydraulics	Single-lever					Function key Click	Function key Click-Plus	
LAVATORY FAUCETS											
Senso	•										•
ultra	•				•	•	•	•			•
lino	•				•		•		•	•	
lumino	•				•				•	•	
lumino+	•				•				•	•	
iQ	•				•				•	•	
loopino	•				•				•	•	
maxx	•				•						•
umaxx	•				•						•
tipolino		•			•						
SofTouch			•								
CONWASH			•		•						
CONMED				•							
CONCEALED WALL-MOUNTED FAUCETS											
CONGENIAL FIT	•	•			•						
ultra	•				•	•	•				•
lino WW	•				•				•	•	
iQ	•				•				•	•	
EXPOSED WALL-MOUNTED FAUCETS											
lino K	•				•				•	•	
lino W	•				•						•
CONWASH			•		•						
CONMED				•							

•: Standard function | •*: Function possible | ○¹⁾: When integrated into CNX ▼²⁾: lino AS

Faucets electronic

Can't find the faucet you want in the catalogue?

Faucets **with waste set** or **with optional Click-plus function** can still be found on our website.

Simply scan the QR code!



Service functions							Hygiene and safety functions									
Temporary-off-cleaning stop	Continuous-on-filling mode	TwistStop: shut-off valve in the faucet	Self-adapting sensor sensitivity	Thermostatic mixing	VARIOconnect	Service APP	Touchless operation	Sanitary rinse	Adjustable hot water limitation	Display/indicator water temperature	Combination with instant water heater	Manual thermal sanitary rinse with thermostatic mixer (thermal disinfection)	Electronic thermal hygienic flush CNX (thermal disinfection)	Cold water rinse	terminal anti-scalding protection	CNX WMS & Service APP
•	•	•	•		•	•	•	•	•	•	•*	•				•
•	•	•	•		•	•	•	•	•	•	•*	•				•
•	•		•	▼ ²⁾	•	•	•	•	•		•*	•	◆ ³⁾	▼ ²⁾	▼ ²⁾	•
•	•		•			•	•	•	•		•*	•				•
•	•		•				•	•	•		•	•				
•	•		•		•	•	•	•	•		•*	•				•
•	•		•		•	•	•	•	•		•*	•				•
•	•		•		•	•	•	•	•		•*	•				•
•	•		•		•	•	•	•	•		•*	•				•
o ¹⁾					•	•		•			•*	•				
												•				
												•				
o ¹⁾		•	•			•	•	•					•			•
•	•		•		•		•	•								◆ ⁴⁾
•	•		•		•	•	•	•								•
•	•		•		•	•	•	•								◆ ⁵⁾
•	•		•			•	•	•								◆ ⁴⁾
•	•		•				•	•								◆ ⁴⁾

◆³⁾: lino PRIMUS L40 faucet | ◆⁴⁾: Service APP, only in combination with BLE Converter possible | ◆⁵⁾: only in combination with CNX Converter

Connecting options

For more than 10 smart faucet series

CONTI+ CONGENIAL FIT

	①		6 V/DC	1 Faucet connection	6 V/DC battery operation (single installation) ① Battery solution for single installation option. Can also be used if no electric cable is available.
	②		12 V/DC	1 – 20 Faucets connection	12 V/DC mains operation (individual & multiple installations) ② Classic power supply via a power supply unit
	③		30 V/DC	1 – 150 Faucets connection	30/24 V/DC V/DC central power supply & control unit (CNX) ③ Central control via the CONTI+ CNX water management system with all its operational and monitoring benefits


Multifunction interface VARIOconnect


Faucets
electronic


<p>Example faucet lino</p> <p>Cable Length 850 mm</p>	①		6 V/DC	1 Faucet connection		Battery included in the box 6 V/DC Battery
	②		6 V/DC	1 Faucet connection		230 V/DC Plug-in power supply
	③		6 V/DC	1 Faucet connection		230 V/DC Central mains receiver concealed
	④		6 V/DC	1 – 30 Faucets connection		12/6 V/DC Splitter concealed
	⑤		6 V/DC	1 – 150 Faucets connection		230/6 V/DC all faucets 230/12 V/DC lino Primus L40 CNX Converter


CONTI+ washbasin faucets – variations
One CONTI+ washbasin faucet – five connecting options:
a wide range of possibilities for perfectly equipping your
washroom in a resource-saving, hygienic, robust and
safe way.


ELECTRONIC CONNECTION OPTIONS | Power supply

 **6 V/DC battery operation** (single installation)
Battery solution for single station option.
Can also be used if no electric cable is available


 **Mains operation** (individual & multiple installations)
Classic mains connection via a power supply unit
(has to be ordered separately)


 **Central mains supply 30 V/DC (CNX)**
Central control via CONTI+ CNX water management system
with all the advantages of operation and
monitoring


 **VARIOconnect**
The multifunctional interface VARIOconnect offers a
variety of connection options for power supplies and data
connection


 **Individual option battery 6 V** (washbasin faucet)
Single station installation battery solution. Service life time
up to four years. Batteries included in delivery



 **Individual option Mains operation 230/6 V/DC**
The classic power supply via a plug-in unit, included in the
scope of delivery, in combination with a 230 V socket

 **Individual option Mains operation 230/6 V/DC**
Concealed power supply. Power supply unit is included in
the scope of delivery

 **Washbasin faucets Solar**
Battery solution (battery included). Up to eight years of
battery life time thanks to the optional solar module, which
can also generate energy from artificial light sources

 **Washbasin faucets Turbine**
Battery solution (battery included). Up to eight years of bat-
tery life time with the optional turbine: A mini power station
generates electricity from the running water

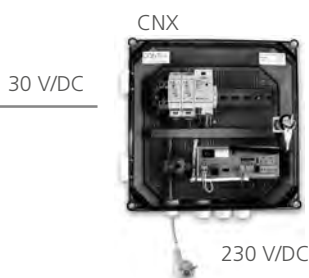
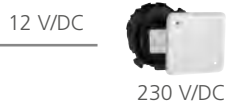
Single station battery option 6 V | ①
The adjacent battery solution (with external battery) can be used if,
despite planning, no electric cable has been laid.

Single station power supply option 230/6 V/DC | ②
The classic mains connection with a plug-in power supply unit
combined with a 230 V socket.

Single station power supply option (concealed) 230/6 V/DC | ③
The best mains connection if appearance and safety are the main
priorities.

Central power supply (concealed) 230/12/6 V/DC | ④
Up to 30 faucets can be powered by a concealed central mains
receiver. Direct connection via a flush mounted splitter set for
multiple installations makes this a more cost effective version
than the single station option.

Central power supply (CNX) 230/30 V/DC | ⑤
Up to 150 faucets can be connected to the control centre of the
CONTI+ CNX water management system, with all its control and
monitoring benefits, in combination with the flush mounted CNX
converters.



Modular

CONTI+ ultra: for every application

CONTI+ ultra – Resource-saving technology

The CONTI+ ultra with its technology that has been tried and tested thousands of times over ensures many years of reliable operation. The vandal-resistant components are robust and absolutely safe. Should servicing ever become necessary, the OneTool service and the modular design make maintenance particularly easy and convenient from above. Low water and energy consumption set the highest standards, and reliable hygiene functions make the faucet a smart solution for the washroom.

Faucets
electronic



All variants available in all sizes of the CONTI+ ultra family

CONTI+ ultra

Washbasin faucet, with IR sensor without | with temperature control

Touch-free, electronically controlled washbasin faucet:

Without temperature control:

- For cold or premixed water with flexible pressure hose, strainer (integral)

With temperature control:

- For cold and hot water connection with flexible pressure hoses, check valves and strainers (integral)
- Temperature selectable or pre-selectable (vandal-proof cover)
- (Mechanically) adjustable hot water lock

All ultra versions:

- Modular monobloc without base, robust metal housing, chrome plated
- Dual infrared sensor technology (fully automatic adjustment), microprocessor electronics
- Functionally reliable ROBUST solenoid valve (with low water pressure protection)
- Integrated battery unit (except ultra GS Public)
- Vandal-proof aerator (can be replaced using integral tool)
- Integrated, fully automatic water shut-off for servicing and strainer cleaning (no angle valve required as stop valve)
- One-tool servicing – all components accessible from above
- 12 or 24-hour sanitary rinse (activated via touch control)
- Compatible with the Service APP: possible to monitor saved operating data, adjust settings and control functions
- Can be integrated into the CNX water management system



Technical data

Battery:	4 x 1.5 V alkaline AA batteries; service life time of up to 4 years
Mains operation wall-mounted:	Plug-in power supply unit 230 V/AC / 6 V/DC
VARIOconnect:	for single and multiple power supply, data connection
Solar:	Photovoltaic cell in combination with 4 x 1.5 V alkaline AA batteries (backup batteries) – commercially available; service life time of up to 8 years
Turbine:	Integral turbine in combination with 4 x 1.5 V alkaline AA batteries (backup batteries) – commercially available; service life time of up to 8 years
Operating pressure:	0.3–10 bar
Flow rate (approx.):	5.7 l/min (3 bar)
Water temperature (max.):	80 °C
Aerator:	RC
Pressure hoses:	350 mm
Angle valve connections:	G 3/8"
Strainers:	0.5 mm mesh width
Sensor sensitivity:	Continuous automatic self-calibration
Water run-on time:	Preset to 1 s (adjustable to 0 – 10 s via touch control)
Continuous on function and sanitary rinse time:	Preset to 2 min (adjustable from 0.5 to 20 min with function key)
Temporary off function:	2 min (fixed)
Standards:	DIN EN 200; CE

Type options

- Without | with temperature control
- Three different sizes GS | GM | GH
- Energy options PUBLIC, PUBLIC Solar, Solar EXPERT, Turbine
- Flow rate 5.7 l/min or 1.9 l/min*
- Chrome plated or three specific colours PVD (GM 10 | GM 20)



Note (VARIOconnect):

BLE Converter to be ordered separately for connection via Service APP.

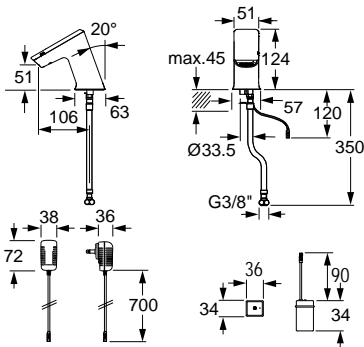
The CNX Converter must be ordered separately for integration into the CNX water management system.

* The valve unit 1.9 l/min with spray controller has to be ordered separately. Retrofitting also possible with already installed faucets.

ultra washbasin faucet GS PUBLIC



ultra GS20 PUBLIC, without temperature control, chrome plated



Type: battery | 4 x 1.5 V alkaline AA batteries

Description	Order number
Multifunction interface VARIOconnect incl. battery box	161.040.11



Type: mains | plug-in power supply unit 230 V/DC / 6 V/DC

Description	Order number
Multifunction interface VARIOconnect	161.050.11

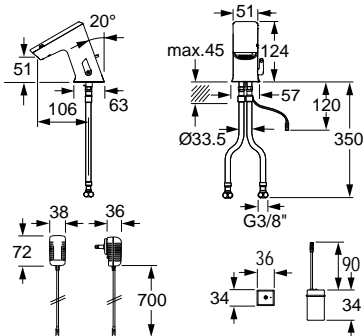


Type: VARIOconnect | for single and multiple power supply, data connection

Description	Order number
Multifunction interface VARIOconnect	161.056.11



ultra GS10 PUBLIC, with temperature control, chrome plated



Type: battery | 4 x 1.5 V alkaline AA batteries

Description	Order number
Multifunction interface VARIOconnect incl. battery box	161.000.11



Type: mains | plug-in power supply unit 230 V/DC / 6 V/DC

Description	Order number
Multifunction interface VARIOconnect	161.010.11



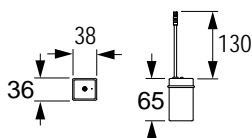
Type: VARIOconnect | for single and multiple power supply, data connection

Description	Order number
Multifunction interface VARIOconnect	161.016.11

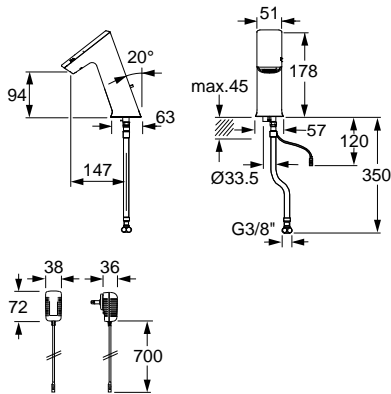
External battery box for ultra GS washbasin faucets



Description	Order number
External battery box incl. batteries	CONZ8239158



ultra washbasin faucet GM20 PUBLIC



ultra GM20 PUBLIC, without temperature control, chrome plated



Type: battery | 4 x 1.5 V alkaline AA batteries

Description	Order number
Multifunction interface ☁ VARIOconnect	162.040.11



Type: mains | plug-in power supply unit 230 V/DC / 6 V/DC

Description	Order number
Multifunction interface ☁ VARIOconnect	162.050.11



Type: VARIOconnect | for single and multiple power supply, data connection

Description	Order number
Multifunction interface ☁ VARIOconnect	162.056.11



Type: solar | combined with 4 x 1.5 V alkaline AA batteries

Description	Order number
Multifunction interface ☁ VARIOconnect	162.048.11
Automatic energy saving function (solar)	



Type: turbine | combined with 4 x 1.5 V alkaline AA batteries

Description	Order number
Multifunction interface ☁ VARIOconnect	162.078.11
Integral turbine	

ultra GM20 PUBLIC, without temperature control, PVD



Type: battery | 4 x 1.5 V alkaline AA batteries

Description	Order number
Multifunction interface ☁ VARIOconnect	

Colour	Order number
Brushed nickel 	162.040.00
Polished gold brass 	162.040.22
Brushed chrome 	162.040.44

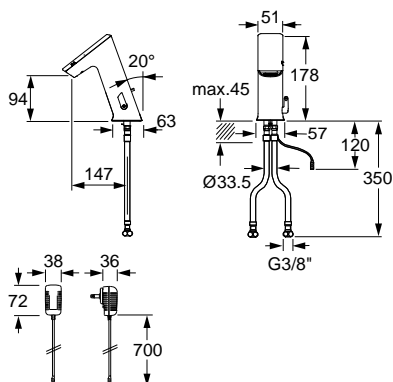


Type: VARIOconnect | for single and multiple power supply, data connection

Description	Order number
Multifunction interface ☁ VARIOconnect	

Colour	Order number
Brushed nickel 	162.056.00
Polished gold brass 	162.056.22
Brushed chrome 	162.056.44

ultra washbasin faucet GM10 PUBLIC



ultra GM10 PUBLIC, with temperature control, chrome plated



Type: battery | 4 x 1.5 V alkaline AA batteries

Description	Order number
Multifunction interface ☁ VARIOconnect	162.000.11



Type: mains | plug-in power supply unit 230 V/DC / 6 V/DC

Description	Order number
Multifunction interface ☁ VARIOconnect	162.010.11



Type: VARIOconnect | for single and multiple power supply, data connection

Description	Order number
Multifunction interface ☁ VARIOconnect	162.016.11



Type: solar | combined with 4 x 1.5 V alkaline AA batteries

Description	Order number
Multifunction interface ☁ VARIOconnect	162.008.11
Automatic energy saving function (solar)	



Type: turbine | combined with 4 x 1.5 V alkaline AA batteries




Description	Order number
Multifunction interface ☁ VARIOconnect	162.068.11
Integral turbine	

ultra GM10 PUBLIC, with temperature control, PVD



Type: battery | 4 x 1.5 V alkaline AA batteries




Description	Order number
Multifunction interface ☁ VARIOconnect	

Colour	Order number
Brushed nickel 	162.000.00
Polished gold brass 	162.000.22
Brushed chrome 	162.000.44

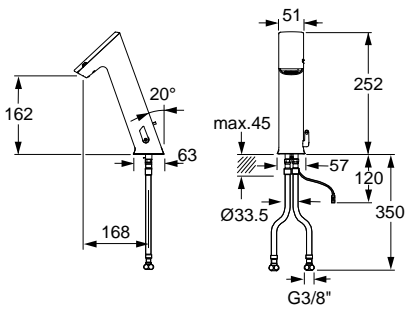


Type: VARIOconnect | for single and multiple power supply, data connection

Description	Order number
Multifunction interface ☁ VARIOconnect	

Colour	Order number
Brushed nickel 	162.016.00
Polished gold brass 	162.016.22
Brushed chrome 	162.016.44

ultra washbasin faucet GH10 PUBLIC



ultra GH10 PUBLIC, with temperature control, chrome plated



Type: battery | 4 x 1.5 V alkaline AA batteries

Description	Order number
Multifunction interface VARIOconnect	163.000.11



Type: mains | plug-in power supply unit 230 V/DC / 6 V/DC

Description	Order number
Multifunction interface VARIOconnect	163.010.11



Type: VARIOconnect | for single and multiple power supply, data connection

Description	Order number
Multifunction interface VARIOconnect	163.016.11



Type: solar | combined with 4 x 1.5 V alkaline AA batteries

Description	Order number
Multifunction interface VARIOconnect Automatic energy saving function (solar)	163.008.11



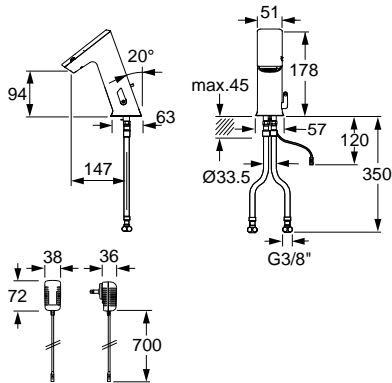
Type: turbine | combined with 4 x 1.5 V alkaline AA batteries

Description	Order number
Multifunction interface VARIOconnect Integral turbine	163.068.11

Optional accessories (VARIOconnect) Order number

BLE Converter 2. Generation	CONO270000
CNX control centre	CONO214641

ultra washbasin faucet EXPERT Solar



ultra GM10 EXPERT, with temperature control, chrome plated

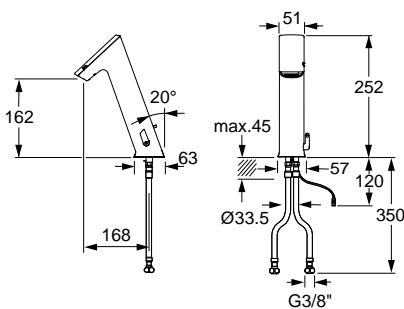


Type: solar | combined with 4 x 1.5 V alkaline AA batteries

Description	Order number
-------------	--------------

Multifunction interface ☼ VARIOconnect	162.108.11
--	-------------------

- Automatic energy saving function (solar)
- LCD display: temperature and water running time shown
- Water running time-Countdown
- Integrated start/stop function
- Safety switch-off can be activated



ultra GH10 EXPERT, with temperature control, chrome plated



Type: solar | combined with 4 x 1.5 V alkaline AA batteries

Description	Order number
-------------	--------------

Multifunction interface ☼ VARIOconnect	163.108.11
--	-------------------

- Automatic energy saving function (solar)
- LCD display: temperature and water running time shown
- Water running time-Countdown
- Integrated start/stop function
- Safety switch-off can be activated

Resource-efficient technology

Save energy & water with solar at 1.9 l/min

CONTI+ ultra – solar module for extended battery life time

The CONTI+ ultra offers maximum convenient operation and a high level of safety thanks to intelligent, well-engineered technology. Low water and energy consumption set the highest standards, reliable hygiene functions and high-quality materials make the faucet the smart solution for constant water quality in the washroom.

The touch-free function of the CONTI+ ultra saves up to 80% water, as water only runs when it is needed. This also reduces energy consumption for water heating. The optional solar module or the turbine integrated into the faucet generates as much energy as needed to extend the battery life time to up to 8 years - saving the user water and energy costs.

Water saving



Reduced water consumption of up to 80 % due to economical flow rates of only 1.9 to 5.7 l/min, courtesy of optional aerators. Water run-on times can also be shortened for even greater water savings.

Solar



A battery life time of up to eight years is made possible thanks to the optional solar module which can also harness energy from artificial light sources. Ideal for use in semi-public settings.



1.9 l/min valve unit with spray regulator
(Can be retrofitted to existing installed ultra faucets)

Order the following retrofit kit:

- 577.070.00** Valve unit GS ultra 1.9 l/min
- 577.072.00** Valve unit GM ultra 1.9 l/min
- 577.074.00** Valve unit GH ultra 1.9 l/min



Plus in hygiene and safety

Unique hygiene standard for faucets

CONTI+ lino PRIMUS L40 – Intelligent electronics for washbasin faucets

Our CONTI+ lino PRIMUS faucet brings you a washbasin faucet with an entirely unique hygiene function: the proportional valve technology of the electronically controlled thermostat enables separate flushing of cold, mixed and hot water (in combination with the CONTI+ CNX water management system or the CONTI+ Service APP). In addition to sanitary rinsing and thermal disinfection (hot water), separate flushing of the cold water line can therefore also be carried out.

The CONTI+ lino PRIMUS faucet is ideal for public, semi-public and commercial environments, as these areas have to meet particularly high standards of functional safety, as well as hygiene and maintenance.

CONTI+ lino PRIMUS washbasin faucet L40

Touch-free, electronically controlled thermostatic washbasin faucet, mains operation, chrome plated

Economy aerator
Self-cleaning

Infrared sensor technology with fully automatic self-calibration

Faucet management with integration into the CNX water management system and control via the Service APP

Thermostat-E
Fully electronic mixer (free of dead space), enables separate cold water flushing, sanitary rinsing and thermal disinfection (hot water) with selectable target temperature

Hot water connection with flexible hose incl. strainers

Click function key "Temporary off" (cleaning stop) and "continuous on" (filling mode) functions, sensor sensitivity, water run-on time, sanitary rinse time and intervals of 12, 24 or 48 hours can be activated and adjusted

Temperature adjustment lever for electronic mixer



Thermostat-E electronic mixer (box) for temperature control in installation under the countertop (on hanger bolts or mounting set)

Electronic motorised temperature and volume control

Safety shutdown if the cold water supply fails (electronic anti-scalding protection based on DIN EN 1111)

Cold water connection with flexible hose incl. strainers



CONTI+ lino PRIMUS L40

L40 faucet, with IR sensor and Thermostat-E electronic mixer

Electronic washbasin faucet with separate cold water rinse, sanitary rinse and thermal disinfection.

Touch-free, electronically controlled thermostatic washbasin faucet:

- Infrared sensor technology with fully automatic self-calibration
- Thermostat-E electronic mixer for temperature control for installation under the countertop on hanger bolts or installation kit
- Servomotors for temperature and volume control
- Electronic anti-scalding protection based on DIN EN 1111
- Temperature-controlled sanitary flush via the Service APP or integration into the CNX water management system, documentation included
- Connection of cold and hot water, with flexible hoses incl. strainers
- "Temporary off" function (cleaning) and "continuous on" function (filling) (activated via function key)
- Sensor sensitivity, economy aerator (self-cleaning)
- Can be controlled via the Service APP
- Can be integrated into the CNX water management system



Type: mains | plug-in power supply unit 230 V/DC / 6 V/DC

Description

Order number

Multifunction interface VARIOconnect

CONE8150308538



Technical data

Mains operation, exposed:

Plug-in power supply unit 230 V / 12 V

Operating pressure:

0.3 – 10 bar

Flow rate (approx.):

3.8 l/min (3 bar)

Water temperature at inlet (max.):

80 °C

Temperature limit (max.):

42 °C

Pressure hoses:

350 mm

Angle valve connections:

G 3/8

Strainers:

0.5 mm mesh width

Water run-on time:

Preset to 1 s (adjustable to 0 – 12 s with function key)

Continuous on function

and sanitary rinse time:

Preset to 2 min (adjustable from 0.5 to 20 min with function key)

Electronic anti-scalding protection:

If the cold water pipe fails, the water flow is stopped when it reaches 48 °C (factory setting – adjustable via Service APP and CNX; observe maximum water temperature)

Temporary off function:

2 min (fixed)

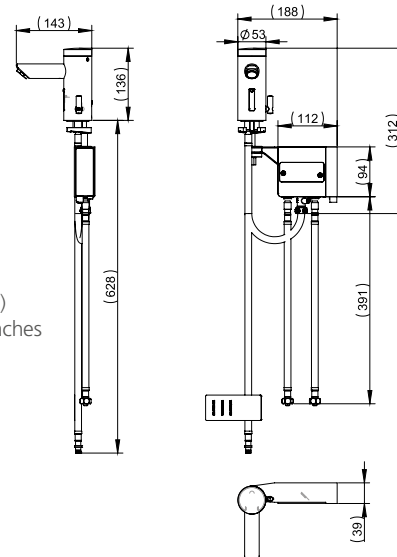
Standards:

DIN EN 200, Noise class I, P-IX 9575 / IA; C€

Note:

BLE Converter to be ordered separately for connection via Service APP.

The CNX Converter must be ordered separately for integration into the CNX water management system.



CONTI+ lino AS

lino AS L13 washbasin faucet, with thermostatic anti-scalding protection

A key aspect of the electronic washbasin faucet with patented, thermostatically controlled anti-scalding protection is increased safety in the case of cold water system failure or pressure fluctuations in the cold/hot water system. The integrated thermostatic mixer shaft controls the water temperature while also ensuring thermostatically controlled anti-scalding protection compliant with the relevant standards (EN 1111).

Touch-free, electronically controlled washbasin faucet, infrared sensor technology.

- Fully automatic self-calibration
- Thermostatic temperature selection
- Thermostatic anti-scalding protection based on DIN EN 1111
- Connection of cold and hot water, with flexible hoses incl. strainers
- Please note: cold/hot water connections must be swapped on installation
- Functionally reliable ROBUST solenoid valve, bistable
- Economy aerator (self-cleaning)
- "Temporary off" function (cleaning) and "continuous on" function (filling) (activated via function key)
- Sensor sensitivity, water run-on time, sanitary rinse time and intervals of 12, 24 or 48 hours can be activated and adjusted
- Compatible with the Service APP: possible to monitor saved operating data, adjust settings and control functions
- Can be integrated into the CNX water management system

Not suitable for use in conjunction with instant water heaters.



Technical data

Battery: 6 V lithium CRP2 - commercially available;
service life time of up to 4 years

Mains operation, exposed: Plug-in power supply unit 230 V/DC / 6 V/DC

Operating pressure: 0.3–10 bar

Flow rate (approx.): 3.8 l/min (3 bar)

Flow rate: Cold water 1.9 l/min (3 bar)
mixed water approx. 6 l/min (3 bar)

Temperature range: 43 °C

Water temperature (max.): 80 °C

Pressure hoses: 350 mm

Angle valve connections: G 3/8

Strainers: 0.5 mm mesh width

Water run-on time: Preset to 1 s (adjustable to 0 – 10 s with function key)

Continuous on function
and sanitary rinse time: Preset to 2 min (adjustable from 0.5 to 20 min with function key)

Temporary off function: 2 min (fixed)

Standards: DIN EN 200; Noise class I; PA-IX 28707 / IO; CE

Note (mains): BLE Converter to be ordered separately for connection
via Service APP.

The CNX Converter must be ordered separately for integration
into the CNX water management system.





lino AS L13



Type: battery | 6 V lithium battery CRP2

Description

Order number

CONE8150208100



Type: mains | plug-in power supply unit 230 V/DC / 6 V/DC

Description

Order number

Multifunction interface  VARIOconnect

CONE8150208200

Optional accessories

Länge (x)

Order number

Faucet extension kit
for lino washbasin faucets

56 mm

550.034.12

177 mm

550.034.11

Optional accessories (VARIOconnect)

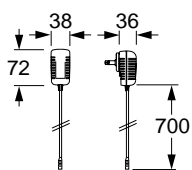
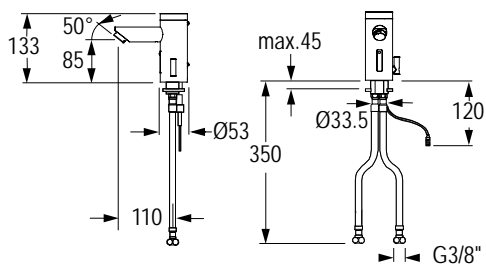
Order number

 BLE Converter 2. Generation

CONO270000

 CNX control centre

CONO214641



CONTI+ lino

Washbasin faucet, with IR sensor, without | with temperature control | non-pressurised

Touch-free, electronically controlled washbasin faucet:

Without temperature control:

- For cold or premixed water with flexible pressure hose, strainer (integral)

With temperature control:

- For cold and hot water connection with flexible pressure hoses, check valves and strainers (integral)
- Temperature selectable or pre-selectable (vandal-proof cover)
- Adjustable hot water lock

Non-pressurised:

- For open vented hot water heaters
- For cold water connection for decentralised water heating (hot water tank)
- with flexible pressure hoses, check valves and strainers (integral)
- Temperature selectable or pre-selectable (vandal-proof cover)
- Adjustable hot water lock

All versions lino:

- Monoblock version without base, robust brass housing
- Dual infrared sensor technology (fully automatic adjustment), microprocessor electronics
- Type battery: integrated battery can be replaced via inspection cover
- Functionally reliable ROBUST solenoid valve (with low water pressure protection) and economy aerator
- "Continuous on" function and sanitary rinse time (adjustable via function key)
- Water run-on time, sensor sensitivity (adjustable via function key)
- 12, 24 or 48-hour sanitary rinse (adjustable via function key)
- Installed in the same way as a conventional single-lever mixer
- Compatible with the Service APP: possible to monitor saved operating data, adjust settings and control functions
- Can be integrated into the CNX water management system



Technical data

Battery:	6 V lithium CRP2 - commercially available; service life time of up to 4 years
Mains operation, exposed:	Plug-in power supply unit 230 V/DC / 6 V/DC
VARIOconnect:	for single and multiple power supply, data connection
Solar:	Photovoltaic cell in combination with 6 V Lithium CRP2 batterie (backup batterie) – commercially available; service life time of up to 6 years
Operating pressure:	0.3–10 bar
Flow rate L20, L10 (approx.):	6 l/min (3 bar)
Flow rate L30 (approx.):	5 l/min (3 bar)
Water temperature (max.):	80 °C
Aerator:	Economy aerator, cascade (self-cleaning)
Pressure hoses L20, L10:	350 mm
Pressure hoses L30:	2x500 mm / 1x350 mm
Angle valve connection:	G 3/8"
Strainer:	0.5 mm mesh width
Sensor sensitivity:	Continuous automatic self-calibration
Water run-on time:	Preset to 1 s (adjustable to 0 – 10 s with function key)
Continuous on function and sanitary rinse time:	Preset to 2 min (adjustable from 0.5 to 20 min with function key)
Temporary off function:	2 min (fixed)
Standards:	DIN EN 200; Noise class I; PA-IX 28707 / IO; CE

Type options

- with I without temperature control | non-pressurised
- Energy options Battery, mains operation, VARIOconnect, solar
- Chrome-plated or three special PVD colours

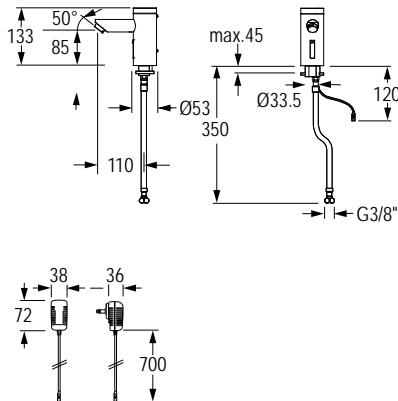


Note (VARIOconnect):

BLE Converter to be ordered separately for connection via Service APP.

The CNX Converter must be ordered separately for integration into the CNX water management system.

lino washbasin faucet L20



lino L20, without temperature control, chrome plated



Type: battery | 6 V lithium battery CRP2

Description	Order number
	120.040.11



Type: mains | plug-in power supply unit 230 V/DC / 6 V/DC

Description	Order number
Multifunction interface ☁ VARIOconnect	120.050.11



Type: VARIOconnect | for single and multiple power supply, data connection

Description	Order number
Multifunction interface ☁ VARIOconnect	120.056.11



Type: solar | Photovoltaic cell in combination with 6 V lithium CRP2

Description	Order number
Automatic energy saving function (solar)	120.048.11

Optional accessories	Length (x)	Order number
Faucet extension kit for lino washbasin faucets	56 mm	550.034.12
	177 mm	550.034.11

lino L20, without temperature control, PVD



Type: battery | 6 V lithium battery CRP2

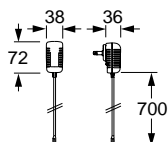
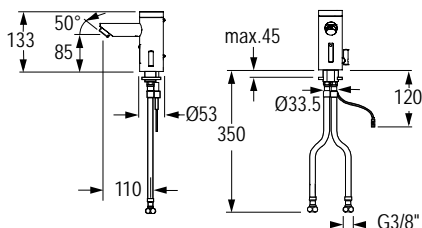
Description	Order number
Colour	Order number
Brushed nickel	120.040.00
Polished gold brass	120.040.22
Brushed chrome	120.040.44



Type: VARIOconnect | for single and multiple power supply, data connection

Description	Order number
Multifunction interface ☁ VARIOconnect	
Colour	Order number
Brushed nickel	120.056.00
Polished gold brass	120.056.22
Brushed chrome	120.056.44

lino washbasin faucet L10



lino L10, with temperature control, chrome plated



Type: battery | 6 V lithium battery CRP2

Description	Order number
	120.000.11



Type: mains | plug-in power supply unit 230 V/DC / 6 V/DC

Description	Order number
Multifunction interface VARIOconnect	120.010.11



Type: VARIOconnect | for single and multiple power supply, data connection

Description	Order number
Multifunction interface VARIOconnect	120.016.11



Type: solar | Photovoltaic cell in combination with 6 V lithium CRP2

Description	Order number
Automatic energy saving function (solar)	120.008.11

Optional accessories	Length (x)	Order number
Faucet extension kit for lino washbasin faucets	56 mm	550.034.12
	177 mm	550.034.11

lino L10, with temperature control, PVD



Type: battery | 6 V lithium battery CRP2

Description	Order number
Colour	Order number
Brushed nickel	120.000.00
Polished gold brass	120.000.22
Brushed chrome	120.000.44



Type: VARIOconnect | for single and multiple power supply, data connection

Description	Order number
Multifunction interface VARIOconnect	
Colour	Order number
Brushed nickel	120.016.00
Polished gold brass	120.016.22
Brushed chrome	120.016.44

lino washbasin faucet L30



lino L30, non-pressurised, chrome plated



Type: battery | 6 V lithium battery CRP2

Description	Order number
	120.020.11



Type: mains | plug-in power supply unit 230 V/DC / 6 V/DC

Description	Order number
Multifunction interface VARIOconnect	120.030.11



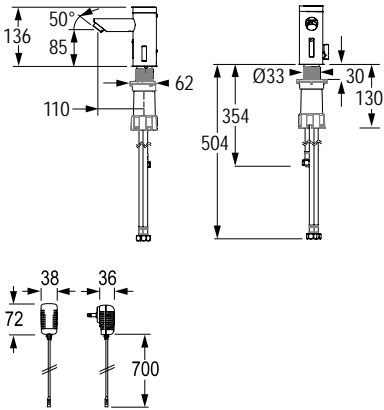
Type: VARIOconnect | for single and multiple power supply, data connection

Description	Order number
Multifunction interface VARIOconnect	120.036.11



Type: solar | Photovoltaic cell in combination with 6 V lithium CRP2

Description	Order number
Automatic energy saving function (solar)	120.028.11



Accessories for lino faucets



Faucet extension kit for lino washbasin faucets

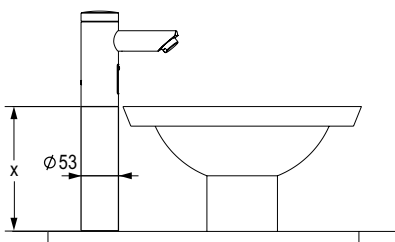
Extension, suitable for L10, L13, L20, L10i:

- Robust brass housing

Kit includes:

- Extension
- Threaded rod
- Connection hoses and filters

Only suitable for faucets without waste set!



Description	Length (x)	Order number
Faucet extension kit	56 mm	550.034.12
Faucet extension kit for lino washbasin faucets	177 mm	550.034.11

CONTI+ lumino L10i

L10i washbasin faucet, with IR sensor,
with temperature control, chrome plated

Touch-free, electronically controlled washbasin faucet:

- With LED illuminated ring temperature selection display
- Monoblock version without base, robust brass housing, chrome plated
- Functionally reliable ROBUST solenoid valve (with low water pressure protection) and economy aerator
- Cold and hot water connection with flexible pressure hoses
- Temperature selectable or pre-selectable (vandal-proof cover)
- Check valves and strainers (integral)
- Adjustable hot water lock
- With integral illuminated ring temperature selection display in the faucet head
- Light ring with switchable colour series (red-white-blue or red-violet-blue)
- Ambient lighting (permanent white light in standby) can be activated, adjustable intensity
- Colours can be calibrated when the hot water lock is set
- Dual infrared sensor technology (fully automatic adjustment), microprocessor electronics
- "Continuous on" function and sanitary rinse time (adjustable via function key)
- Water run-on time, sensor sensitivity (adjustable via function key)
- 12, 24 or 48-hour sanitary rinse (adjustable via function key)
- Installed in the same way as a conventional single-lever mixer



Technical data

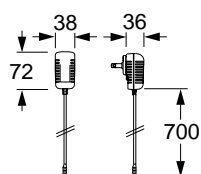
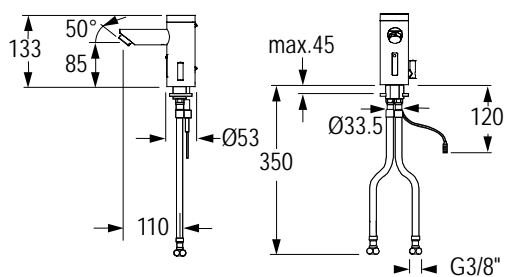
Mains operation, exposed: Plug-in power supply unit 230 V/DC / 6 V/DC

Operating pressure:	0.3–10 bar
Flow rate (approx.):	6.5 l/min (3 bar)
Water temperature (max.):	80 °C
Aerator:	Economy aerator, cascade (self-cleaning)
Pressure hoses:	350 mm
Angle valve connections:	G 3/8"
Strainers:	0.5 mm mesh width
Sensor sensitivity:	Continuous automatic self-calibration
Water run-on time:	Preset to 1 s (adjustable to 0 – 10 s with function key)
Continuous on function and sanitary rinse time:	Preset to 2 min (adjustable from 0.5 to 20 min with function key)
Temporary off function:	2 min (fixed)
Standards:	DIN EN 200; Noise class I; PA-IX 28707 / IO; CE





lumino L10i



Type: mains | plug-in power supply unit 230 V/DC / 6 V/DC

Description	Order number
Multifunction interface VARIOconnect	121.010.11

Optional accessories	Length (x)	Order number
Faucet extension kit	56 mm	550.034.12
for lino washbasin faucets	177 mm	550.034.11



Small instant water heater

Decentralised water heating

CONTI+ lumino+ washbasin faucet L10c - energy and water saving with a colourful effect

With the lumino+ L10c with small instantaneous water heater, hot water is available immediately and without preheating time - whether at individual washing areas without a hot water system (power connection required) or in buildings with a decentralised hot water supply. The technically harmonised unit ensures a constant flow of water and a constant water temperature at all times. The installation works like a conventional single-lever mixer, and the instantaneous water heater only requires a power connection and is available with two heating outputs: 3.5 kW (plug-in) or 6.5 kW (fixed connection).

Electronically controlled instant water heater

- Pressure-resistant design
- Water connection with flexible pressure hose
- Effective bare-wire heating system IES®
- Temperature control via lumino washbasin faucet
- Flow rate can be preset in the appliance (factory setting approx. 38 °C)
- Rated output: MBX3i: 3.5 kW (230 V/AC) or MBX7i: 6.5 kW (400 V/AC)

Mains operation MBX3i: Safety plug 230 V/AC, 3 x 1,5 mm², 15 A, 3,5 kW
2 sockets required, optional accessory: double socket unit

Mains operation MBX7i: 2-phase fixed connection 400 V/AC, 3 x 2,5 mm², 16 A, 6,5 kW



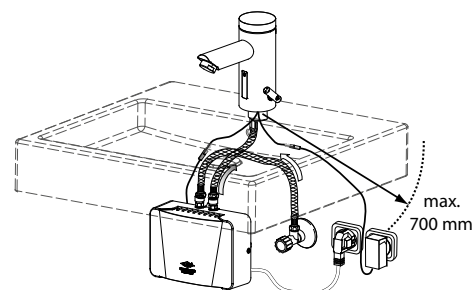
Technical data of electronic instant water heater MBX3i:

Operating pressure:	1-5 bar
Rated voltage:	230 VAC
Rated output:	3.5 kW
Rated current:	15 A
Cable diameter:	1.5 mm ²
Connecting hoses:	1x500 mm
Hose connections:	G 3/8
Inlet temperature:	max. 60 °C
Electronic IP protection:	IP24
Standards:	CE

Max. temperature increase at power rating and flow rate:

2,0 l/min - 25 K | 2,5 l/min - 20 K | 3,0 l/min - 17 K | 3,5 l/min - 14 K

Temperature increase (K) + incoming cold water temperature (°C) = max. hot water temperature



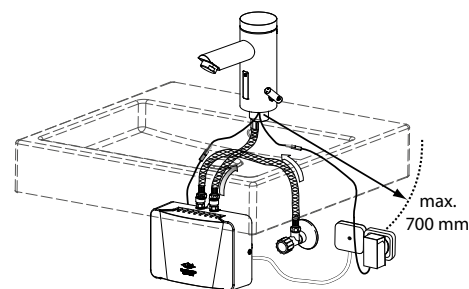
Technical data of electronic instant water heater MBX7i:

Operating pressure:	1-5 bar
Rated voltage:	400 VAC
Rated output:	6.5 kW
Rated current:	15 A
Cable diameter:	2.5 mm ²
Connecting hoses:	1x500 mm
Hose connections:	G 3/8
Inlet temperature:	max. 60 °C
Electronic IP protection:	IP24
Standards:	CE

Max. temperature increase at power rating and flow rate:

2,0 l/min - 46 K | 2,5 l/min - 37 K | 3,0 l/min - 31 K | 3,5 l/min - 26 K

Temperature increase (K) + incoming cold water temperature (°C) = max. hot water temperature



CONTI+ lumino+ L10c

L10c washbasin faucet, with IR sensor, with small instant water heater, chrome plated

Touch-free, electronically controlled washbasin faucet:

- With LED illuminated ring temperature selection display
- Monoblock version without base, robust brass housing, chrome plated
- Dual infrared sensor technology (fully automatic adjustment), microprocessor electronics
- Functionally reliable ROBUST solenoid valve (with low water pressure protection) and economy aerator
- Cold and hot water connection with flexible pressure hoses
- Check valves and strainers (integral)
- Temperature selectable or pre-selectable (vandal-proof cover)
- Adjustable hot water lock
- "Continuous on" function and sanitary rinse time (adjustable via function key)
- Water run-on time, sensor sensitivity (adjustable via function key)
- 12, 24 or 48-hour sanitary rinse (adjustable via function key)
- Installed in the same way as a conventional single-lever mixer



Type: mains | Clage MBX3i; 15 A, 3.5 kW

Description	Order number
Multifunction interface VARIOconnect	121.028.11



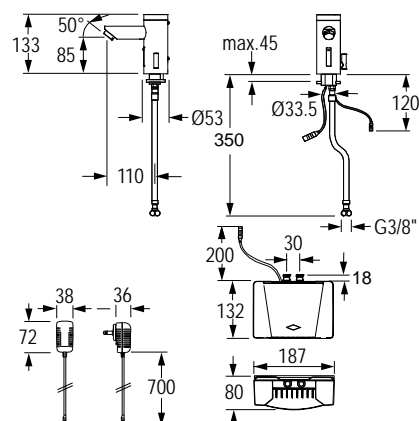
Type: mains | Clage MBX7i; 16 A, 6.5 kW

Description	Order number
Multifunction interface VARIOconnect	121.038.11



Technical data

Mains operation:	Plug-in power supply unit 230 V/DC / 6 V/DC
Operating pressure:	0.3–10 bar
Flow rate:	MBX3i approx. 2.0 l/min MBX7i approx. 3.7 l/min
Water temperature (max.):	70 °C
Aerator:	MBX3i Spray aerator MBX7i Economy aerator
Pressure hoses:	350 mm
Angle valve connections:	G 3/8"
Strainers:	0.5 mm mesh width
Sensor sensitivity:	Continuous automatic self-calibration
Water run-on time:	Preset to 1 s (adjustable to 0 – 10 s with function key)
Continuous on function and sanitary rinse time:	Preset to 2 min (adjustable from 0.5 to 20 min with function key)
Temporary off function:	2 min (fixed)
Standards:	DIN EN 200; Noise class I; PA-IX 28707 / IO; CE



CONTI+ tipolino

Automatic shut-off faucet, electronic start/stop button, chrome plated without | with temperature control

Automatic shut-off faucet with electronic start/stop button.

L25P | Without temperature control:

- For cold or premixed water with flexible pressure hose, strainer (integral)

L15P | With temperature control:

- For cold and hot water connection with flexible pressure hoses, check valves and strainers (integral)
- Temperature selectable or pre-selectable (vandal-proof cover)
- Adjustable hot water lock

All tipolino versions:

- Monoblock version without base, robust brass housing, chrome plated
- Electronic microprocessor
- Type battery: integrated battery can be replaced via inspection cover
- Functionally reliable ROBUST solenoid valve (with low water pressure protection) and economy aerator
- Installed in the same way as a conventional single-lever mixer
- Water run-on time (adjustable via start/stop button)
- 12, 24, 48-hour sanitary rinse (activated via start/stop button)
- Mains operation: single and multiple power supply
- Compatible with the Service APP: possible to monitor saved operating data, adjust settings and control functions
- Can be integrated into the CNX water management system

Technical data

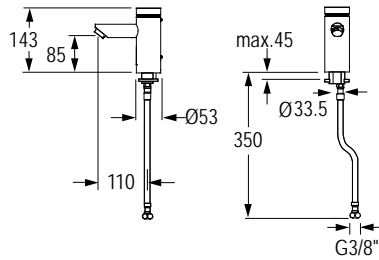
Battery:	6 V lithium CRP2 - commercially available; service life time of up to 4 years
Mains operation, exposed:	Plug-in power supply unit 230 V/DC / 6 V/DC
VARIOconnect:	For single and multiple power supply, data connection
Operating pressure:	0.3–10 bar
Flow rate (approx.):	6 l/min (3 bar)
Water temperature (max.):	80 °C
Aerator:	Economy aerator, cascade (self-cleaning)
Pressure hoses:	350 mm
Angle valve connection:	G 3/8"
Strainer:	0.5 mm mesh width
Water running time:	Preset to 7 s (can be manually adjusted from 3 to 180 s)
Sanitary rinse time:	30 s
Standards:	DIN EN 200; CE

Note: BLE Converter to be ordered separately for connection via Service APP.

The CNX Converter must be ordered separately for integration into the CNX water management system.



tipolino automatic shut-off faucet



tipolino L25P without temperature control



Type: battery | 6 V lithium battery CRP2

Description	Order number
	120.081.11



Type: mains | plug-in power supply unit 230 V/DC / 6 V/DC

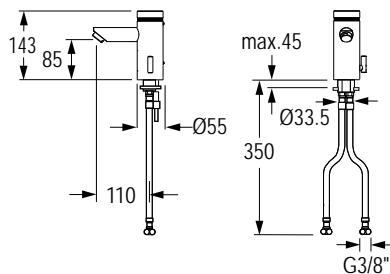
Description	Order number
Multifunction interface VARIOconnect	120.084.11



Type: VARIOconnect | for single and multiple power supply, data connection

Description	Order number
Multifunction interface VARIOconnect	120.086.11

Optional accessories	Length (x)	Order number
Faucet extension kit for lino washbasin faucets	56 mm	550.034.12
	177 mm	550.034.11



tipolino L15P with temperature control



Type: battery | 6 V lithium battery CRP2

Description	Order number
	120.071.11



Type: mains | plug-in power supply unit 230 V/DC / 6 V/DC

Description	Order number
Multifunction interface VARIOconnect	120.074.11



Type: VARIOconnect | for single and multiple power supply, data connection

Description	Order number
Multifunction interface VARIOconnect	120.076.11

Optional accessories	Length (x)	Order number
Faucet extension kit for lino washbasin faucets	56 mm	550.034.12
	177 mm	550.034.11

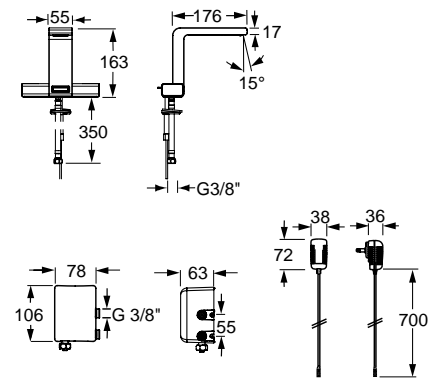


CONTI+ Senso

Washbasin faucet, with IR sensor, chrome plated with electronic temperature control

Touch-free, electronically controlled washbasin faucet:

- Electronic mixer with motor drive (directly on angle valve)
- Robust, chrome plated brass housing
- Functionally reliable ROBUST solenoid valve (with low water pressure protection)
- Water connection with flexible pressure hoses
- Temperature selectable
- Convenient water saving flow via sensitive raindrop aerator
- Illumination provided by high grade LED technology
- Water flow illuminated white
- Electronic touch operation – temperature adjustment through simple touch of the buttons
- Illuminated indicator bars (red, white, blue) for the temperature selection display, which changes when the touch-operated buttons are pressed
- Welcome function (remote detection), light elements light up white
- Dual infrared sensor technology (fully automatic adjustment)
- Microprocessor electronics
- Adjustable water run-on time and sensor sensitivity
- Adjustable "continuous on" and "temporary off" functions
- Installed in the same way as a conventional single-lever mixer



Type: mains | plug-in power supply unit 230 V/DC / 6 V/DC

Description	Order number
With IR sensor and electronic temperature control	155.010.11

Technical data

Mains operation, exposed: 230 V/DC / 12 V/DC Plug-in power supply unit

Operating pressure:	0.3–10 bar
Flow rate (approx.):	2 l/min 2-row aerator (3 bar) (delivered condition) 4 l/min 3-row aerator (3 bar)
Water temperature (max.):	80 °C
Aerator:	Raindrop aerator
Pressure hoses:	350 mm
Angle valve connection:	G 3/8
Strainers:	0.5 mm mesh width
Sensor sensitivity:	Continuous automatic self-calibration
Water run-on time:	Preset to 2 s (can be adjusted from 1 to 7 s)
Continuous on function time:	Preset to 2 min (can be adjusted from 1 to 7 min)
Temporary off function:	2 min (can be adjusted from 1 to 7 min)
Standards:	DIN EN 200; CE



reddot design award
honourable mention 2010

CONTI+ iQ

Washbasin faucet, with IR sensor, chrome plated, without | with temperature control | non-pressurised

Touch-free, electronically controlled washbasin faucet:

Without temperature control:

- For cold or premixed water with flexible pressure hose, strainer (integral)

With temperature control:

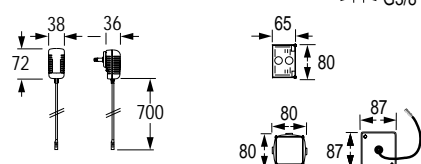
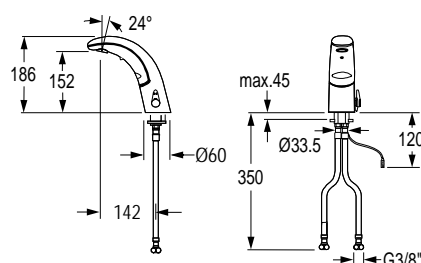
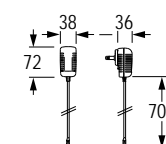
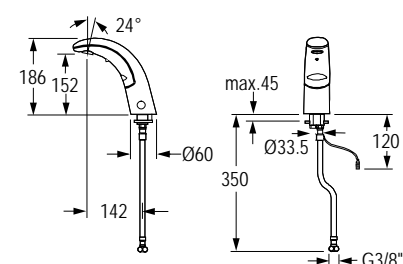
- For cold and hot water connection with flexible pressure hoses, check valves and strainers (integral)
- Temperature selectable or pre-selectable (vandal-proof cover)
- Adjustable hot water lock

Non-pressurised:

- For open vented hot water heaters
- For cold water connection for decentralised water heating (hot water tank)
- With flexible pressure hoses, flow limiter and strainer
- Temperature selectable or pre-selectable (vandal-proof cover)
- Adjustable hot water lock

All versions iQ :

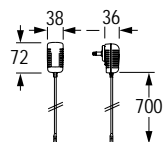
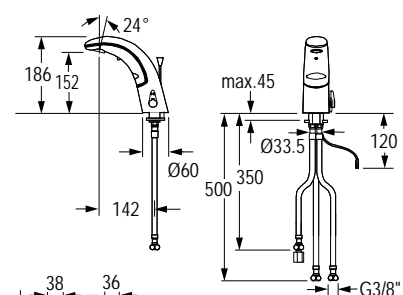
- Monoblock version without base, robust brass housing
- Type battery: integrated battery can be replaced via inspection cover
- Dual infrared sensor technology (fully automatic adjustment), microprocessor electronics
- Functionally reliable ROBUST solenoid valve (with low water pressure protection) and economy aerator
- „Continuous on“ function and sanitary rinse time (adjustable via function key)
- Water run-on time, sensor sensitivity (adjustable via function key)
- 12, 24 or 48-hour sanitary rinse (adjustable via function key)
- Installed in the same way as a conventional single-lever mixer
- Compatible with the Service APP: possible to monitor saved operating data, adjust settings and control functions
- Can be integrated into the CNX water management system



Technical data

Battery:	6 V lithium CRP2 - commercially available; service life time of up to 4 years
Mains operation, exposed:	Plug-in power supply unit 230 V/DC / 6 V/DC
Mains operation, concealed:	Concealed power supply unit 230 V/AC / 6 V/DC with installation box and cover
VARIOconnect:	for single and multiple power supply, data connection

Operating pressure:	0.3–10 bar
Flow rate A20, A10 (approx.):	6 l/min (3 bar)
Flow rate A30 (approx.):	5 l/min (3 bar)
Water temperature (max.):	80 °C
Aerator:	Economy aerator, cascade (self-cleaning)
Pressure hoses A20, A10:	350 mm
Pressure hoses A30:	2x500 mm / 1x350 mm
Angle valve connection:	G 3/8"
Strainer:	0.5 mm mesh width
Sensor sensitivity:	Continuous automatic self-calibration
Water run-on time:	Preset to 1 s (adjustable to 0 – 10 s with function key)
Continuous on function and sanitary rinse time:	Preset to 2 min (adjustable from 0.5 to 20 min with function key)
Temporary off function:	2 min (fixed)
Standards:	DIN EN 200; Noise class I; PA-IX 28706 / IO; CE



Note (mains and CNX): BLE Converter to be ordered separately for connection via Service APP.

The CNX Converter must be ordered separately for integration into the CNX water management system.



iQ washbasin faucet



iQ washbasin faucet A20, without temperature control



Type: battery | 6 V lithium battery CRP2

Description	Order number
	100.040.11



Type: mains | plug-in power supply unit 230 V/DC / 6 V/DC

Description	Order number
Multifunction interface VARIOconnect	100.050.11



Type: VARIOconnect | for single and multiple power supply, data connection

Description	Order number
Multifunction interface VARIOconnect	100.056.11



iQ washbasin faucet A10, with temperature control



Type: battery | 6 V lithium battery CRP2

Description	Order number
	100.000.11



Type: mains | plug-in power supply unit 230 V/DC / 6 V/DC

Description	Order number
Multifunction interface VARIOconnect	100.010.11



Type: VARIOconnect | for single and multiple power supply, data connection

Description	Order number
Multifunction interface VARIOconnect	100.016.11



Type: concealed power supply unit | 230 V/DC / 6 V/DC

Description	Order number
Multifunction interface VARIOconnect	100.060.11



iQ washbasin faucet A30, non-pressurised



Type: battery | 6 V lithium battery CRP2

Description	Order number
	100.020.11



Type: mains | plug-in power supply unit 230 V/DC / 6 V/DC

Description	Order number
Multifunction interface VARIOconnect	100.030.11



Type: VARIOconnect | for single and multiple power supply, data connection

Description	Order number
Multifunction interface VARIOconnect	100.036.11



CONTI+ loopino

Washbasin faucet, with IR sensor, chrome plated without | with temperature control | non-pressurised

Touch-free, electronically controlled washbasin faucet:

Without temperature control:

- For cold or premixed water with flexible pressure hose, strainer (integral)

With temperature control:

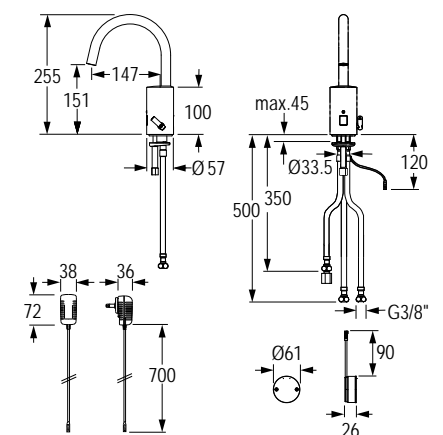
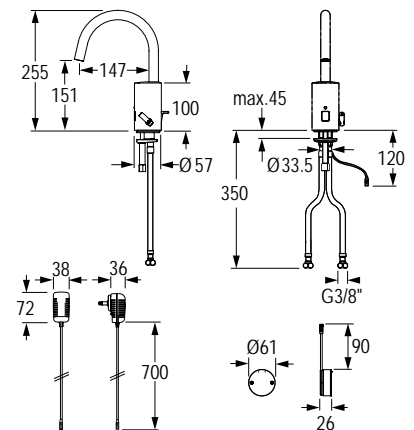
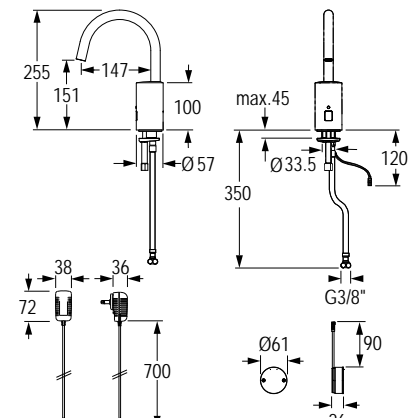
- For cold and hot water connection with flexible pressure hoses, check valves and strainers (integral)
- Temperature selectable or pre-selectable (vandal-proof cover)
- Adjustable hot water lock

Non-pressurised:

- For open vented hot water heaters
- For cold water connection for decentralised water heating (hot water tank)
- With flexible pressure hoses, flow limiter and strainer
- Temperature selectable or pre-selectable (vandal-proof cover)
- Adjustable hot water lock

All loopino versions:

- Fixed spout
- Monoblock version without base, robust brass housing, chrome plated
- Dual infrared sensor technology (fully automatic adjustment), microprocessor electronics
- Functionally reliable ROBUST solenoid valve (with low water pressure protection) and economy aerator
- Type battery: external battery box under the washbasin
- "Temporary off" function (cleaning) and „continuous on“ function (filling) (activated via function key)
- "Continuous on" function and sanitary rinse time (adjustable via function key)
- Water run-on time, sensor sensitivity (adjustable via function key)
- 12, 24 or 48-hour sanitary rinse (adjustable via function key)
- Installed in the same way as a conventional single-lever mixer
- Compatible with the Service APP: possible to monitor saved operating data, adjust settings and control functions
- Can be integrated into the CNX water management system



Technical data

Battery: 6 V lithium CRP2 - commercially available; life time of up to 4 years
 Mains operation, exposed: Plug-in power supply unit 230 V/DC / 6 V/DC
 VARIOconnect: for single and multiple power supply, data connection

Operating pressure: 0.3–10 bar
 Flow rate G20, G10 (approx.): 6 l/min (3 bar)
 Flow rate G30 (approx.): 5 l/min (3 bar)
 Water temperature (max.): 80 °C
 Aerator: Economy aerator, cascade (self-cleaning)
 Pressure hoses G20, G10: 350 mm
 Pressure hoses G30: 2x500 mm / 1x350 mm
 Angle valve connection: G 3/8"
 Strainer: 0.5 mm mesh width
 Sensor sensitivity: Continuous automatic self-calibration
 Water run-on time: Preset to 1 s (adjustable to 0 – 10 s with function key)
 Continuous on function and sanitary rinse time: Preset to 2 min (adjustable from 0.5 to 20 min with function key)
 Temporary off function: 2 min (fixed)
 Standards: DIN EN 200; Noise class I; PA-IX 28706 / IO; CE

Note: BLE Converter to be ordered separately for connection via Service APP.

The CNX Converter must be ordered separately for integration into the CNX water management system.



loopino washbasin faucet



loopino G20 washbasin faucet, without temperature control



Type: battery | 6 V lithium battery CRP2

Description	Order number
-------------	--------------

Multifunction interface ☁ VARIOconnect incl. battery box	150.040.11
---	-------------------



Type: mains | plug-in power supply unit 230 V/DC / 6 V/DC

Description	Order number
-------------	--------------

Multifunction interface ☁ VARIOconnect	150.050.11
--	-------------------



Type: VARIOconnect | for single and multiple power supply, data connection

Description	Order number
-------------	--------------

Multifunction interface ☁ VARIOconnect	150.056.11
--	-------------------



loopino G10 washbasin faucet, with temperature control



Type: battery | 6 V lithium battery CRP2

Description	Order number
-------------	--------------

Multifunction interface ☁ VARIOconnect incl. battery box	150.000.11
---	-------------------



Type: mains | plug-in power supply unit 230 V/DC / 6 V/DC

Description	Order number
-------------	--------------

Multifunction interface ☁ VARIOconnect	150.010.11
--	-------------------



Type: VARIOconnect | for single and multiple power supply, data connection

Description	Order number
-------------	--------------

Multifunction interface ☁ VARIOconnect	150.016.11
--	-------------------



loopino G30 washbasin faucet, non-pressurised



Type: battery | 6 V lithium battery CRP2

Description	Order number
-------------	--------------

Multifunction interface ☁ VARIOconnect incl. battery box	150.020.11
---	-------------------



Type: mains | plug-in power supply unit 230 V/DC / 6 V/DC

Description	Order number
-------------	--------------

Multifunction interface ☁ VARIOconnect	150.030.11
--	-------------------

CONTI+ maxx

Washbasin faucet, with IR sensor, chrome plated, without | with temperature control

Touch-free, electronically controlled washbasin faucet:

Without temperature control:

- For cold or premixed water with flexible pressure hose, strainer (integral)

With temperature control:

- For cold and hot water connection with flexible pressure hoses, check valves and strainers (integral)
- Temperature selectable or pre-selectable (vandal-proof cover)
- Adjustable hot water lock

All maxx versions:

- Monoblock version without base, robust brass housing, chrome plated
- Type battery: integrated battery can be replaced via inspection cover
- Dual infrared sensor technology (fully automatic adjustment), microprocessor electronics
- Functionally reliable ROBUST solenoid valve (with low water pressure protection) and economy aerator
- Water connection with flexible pressure hose, strainer (integral)
- "Temporary off" function (cleaning) and "continuous on" function (filling) (activated via touch control)
- "Continuous on" function and sanitary rinse time (adjustable via touch control)
- Water run-on time, sensor sensitivity (adjustable via touch control)
- 12, 24 or 48-hour sanitary rinse (activated via touch control)
- Installed in the same way as a conventional single-lever mixer
- Compatible with the Service APP: possible to monitor saved operating data, adjust settings and control functions
- Can be integrated into the CNX water management system



Technical data

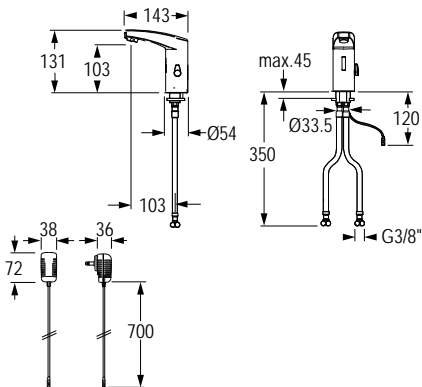
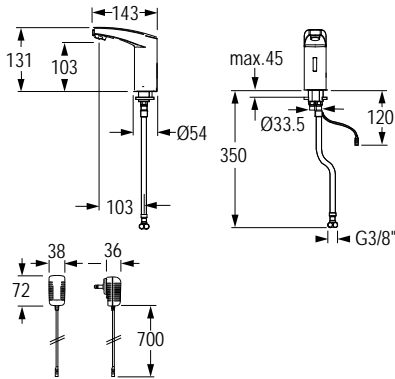
Battery:	6 V lithium CRP2 - commercially available; service life time of up to 4 years
Mains operation, exposed:	Plug-in power supply unit 230 V/DC / 6 V/DC
VARIOconnect:	for single and multiple power supply, data connection
Operating pressure:	0.3 – 10 bar
Flow rate (approx.):	6 l/min (3 bar)
Water temperature (max.):	80 °C
Aerator:	Economy aerator, cascade (self-cleaning)
Pressure hoses:	350 mm
Angle valve connections:	G 3/8"
Strainer:	0.5 mm mesh width
Sensor sensitivity:	Continuous automatic self-calibration
Water run-on time:	Preset to 1 s (adjustable to 0 – 10 s via touch control)
Continuous on function and sanitary rinse time:	Preset to 2 min (can be adjusted from 0.5 to 20 min via touch control)
Temporary off function:	2 min (fixed)
Standards:	DIN EN 200; Noise class I; PA-IX 28707 / IO; CE

Note: (mains and VARIOconnect) BLE Converter to be ordered separately for connection via Service APP.

The CNX Converter must be ordered separately for integration into the CNX water management system.



maxx washbasin faucet



maxx M20 washbasin faucet, without temperature control



Type: battery | 6 V lithium battery CRP2

Description	Order number
-------------	--------------

131.040.11



Type: mains | plug-in power supply unit 230 V/DC / 6 V/DC

Description	Order number
-------------	--------------

Multifunction interface VARIOconnect

131.050.11



Type: VARIOconnect | for single and multiple power supply, data connection

Description	Order number
-------------	--------------

Multifunction interface VARIOconnect

131.056.11

maxx M10 washbasin faucet, with temperature control



Type: battery | 6 V lithium battery CRP2

Description	Order number
-------------	--------------

131.000.11



Type: mains | plug-in power supply unit 230 V/DC / 6 V/DC

Description	Order number
-------------	--------------

Multifunction interface VARIOconnect

131.010.11



Type: VARIOconnect | for single and multiple power supply, data connection

Description	Order number
-------------	--------------

Multifunction interface VARIOconnect

131.016.11

Optional accessories (VARIOconnect)

Optional accessories (VARIOconnect)	Order number
-------------------------------------	--------------

BLE Converter 2. Generation

CONO270000

CNX control centre

CONO214641



Accessories for umaxx

Wall mounting kit for external valve unit

Kit includes:

- 1 wall bracket HU20
- 2 screws
- 1 armoured hose G 3/8"
- 1 twin connector, cyl., external thread 3/8"
- Suitable for umaxx



Description

Order number

umaxx wall mounting kit

550.071.00

CONTI+ umaxx

umaxx M21, washbasin faucet with IR sensor, chrome plated, without temperature control

Touch-free, electronically controlled washbasin faucet:

- For cold or premixed water
- Robust metal housing, chrome plated
- Infrared sensor technology (fully automatic adjustment), microprocessor electronics
- Small external valve unit with functionally reliable ROBUST solenoid valve (with low water pressure protection), for direct mounting on the angle valve or wall mounted (optional)
- Strainer (integral)
- Integral waterproof battery box or cable connection to the power supply
- "Temporary off" function (cleaning) and "continuous on" function (filling) (activated via touch control)
- "Continuous on" function and sanitary rinse time (adjustable via touch control)
- Water run-on time, sensor sensitivity (adjustable via touch control)
- 12, 24 or 48-hour sanitary rinse (activated via touch control)
- Installed in the same way as a conventional single-lever mixer
- Compatible with the Service APP: possible to monitor saved operating data, adjust settings and control functions



Type: battery | 6 V lithium battery CRP2

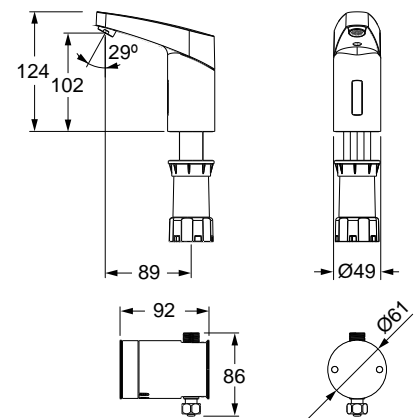
Description	Order number
Multifunction interface  VARIOconnect	133.040.11

Type: mains | plug-in power supply unit 230 V/DC / 6 V/DC

Description	Order number
Multifunction interface  VARIOconnect	133.050.11

Type: VARIOconnect | for single and multiple power supply, data connection

Description	Order number
Multifunction interface  VARIOconnect	133.056.11



Faucets
electronic

Technical data

Battery: 6 V lithium CRP2 - commercially available; service life time of up to 4 years
 Mains operation, exposed: Plug-in power supply unit 100–250 V/AC / 6 V/DC; 50–60 Hz
 VARIOconnect: For single and multiple power supply, data connection

Operating pressure: 0.3–10 bar
 Flow rate (approx.): 3,5 l/min (3 bar)
 Water temperature (max.): 80 °C
 Aerator: Economy aerator, cascade (self-cleaning)
 Pressure hose: 550 mm
 Angle valve connection: G 3/8"
 Strainer: 0.5 mm mesh width
 Sensor sensitivity: Continuous automatic self-calibration
 Water run-on time: 1 s voreingestellt (mit Touch einstellbar)
 Continuous on function and sanitary rinse time: Preset to 2 min (can be adjusted from 0.5 to 20 min via touch control)
 Temporary off function: 2 min (fixed)
 Standards: DIN EN 200; **CE**

Note: Service APP only available in combination with BLE converter, no permanent evaluation option.

BLE Converter to be ordered separately for connection via Service APP.





U3U framing kit, for GW20 concealed wall mounted faucets

Includes:

- Concealed installation box, stop valve and protection cover
- Valve body with integral shut-off device (TwistStop)
- Special flush-connector

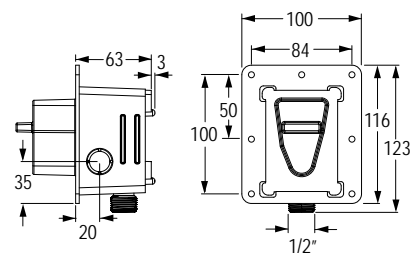


Description

Order number

ultra Framing kit U3U

220.060.00



ultra GW20 wall mounted faucet with IR sensor, without temperature control – finishing kit

Touch-free, electronically controlled washbasin faucet:

- For cold or premixed water
- Robust metal housing
- Dual infrared sensor technology (fully automatic adjustment), microprocessor electronics
- Functionally reliable ROBUST solenoid valve (with low water pressure protection)
- Vandal-proof aerator (can be replaced using integral tool)
- Strainer (integral)
- Integrated, fully automatic water shut-off (TwistStop) for servicing and strainer cleaning (no stop valve required)
- One-tool servicing – all components accessible from above
- 12 or 24-hour sanitary rinse (activated via touch control)
- Integrated battery unit for VARIOconnect type, backup function in version with battery, prepared for conversion to mains operation
- Automatic energy saving function (solar) and safety switch-off can be activated
- Installed in combination with U3U ultra installation box (not included in the standard delivery)
- Can be integrated into the CNX water management system



Type: battery | 6 V lithium battery CRP2

Description	Order number
	164.040.11



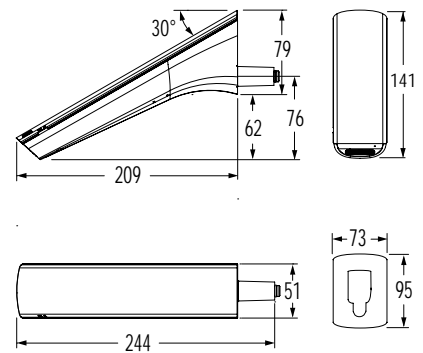
Type: VARIOconnect | for single and multiple power supply, data connection

Description	Order number
Multifunction interface VARIOconnect	164.056.11



Type: solar | Photovoltaic cell in combination with 6 V lithium CRP2

Description	Order number
Automatic energy saving function (solar)	164.048.11



Technical data

Battery:	6 V lithium CRP2 - commercially available; service life time of up to 4 years
VARIOconnect:	for single and multiple power supply, data connection
Solar:	Photovoltaic cell in combination with 6 V Lithium CRP2 batterie (backup batterie) – commercially available; service life time of up to 6 years

Operating pressure:	0.3–10 bar
Flow rate (approx.):	5.7 l/min (3 bar) controlled
Water temperature (max.):	80 °C
Aerator:	RC
Connection:	G 1/2
Strainer:	0.5 mm mesh width
Sensor sensitivity:	Continuous automatic self-calibration
Water run-on time:	Preset to 1 s (adjustable to 0 – 10 s via touch control)
Continuous on function and sanitary rinse time:	Preset to 2 min (can be adjusted from 0.5 to 20 min via touch control)
Temporary off function:	2 min (fixed)
Standards:	DIN EN 200; CE

Note: The CNX Converter must be ordered separately for integration into the CNX water management system.



Required accessories	Order number
Framing kit U3U	220.060.00

CONTI+ lino

Concealed wall mounted faucet, with IR sensor,
chrome plated – fully fitted kit
without | with temperature control

Touch-free, electronically controlled washbasin faucet for concealed installation – fully fitted kit:

Without temperature control:

- For cold or premixed water

With temperature control:

- For cold and hot water connection
- Adjustable hot water lock
- Temperature selectable

All Versions:

- Robust design: chrome plated metal front panel and spout
- Functionally reliable ROBUST solenoid valve (with low water pressure protection)
- Dual infrared sensor technology (fully automatic adjustment), microprocessor electronics
- Check valves and strainers (integral)
- "Continuous on" function and sanitary rinse time (adjustable via function key)
- Water run-on time, sensor sensitivity (adjustable via function key)
- 12, 24 or 48-hour sanitary rinse (adjustable via function key)
- Simple installation in combination with HANSAVAROX basic unit (framing kit) (not included in the standard delivery)
- Compatible with the Service APP: possible to monitor saved operating data, adjust settings and control functions
- Can be integrated into the CNX water management system

Technical data

Battery:	6 V lithium CRP2 - commercially available; service life time of up to 4 years
VARIOconnect:	for single and multiple power supply, data connection
Operating pressure:	0.3–10 bar
Flow rate (approx.):	6 l/min (3 bar)
Water temperature (max.):	80 °C
Aerator:	Economy aerator, cascade (self-cleaning)
Strainers:	0.3 mm mesh width
Sensor sensitivity:	Continuous automatic self-calibration
Water run-on time:	Preset to 1 s (adjustable to 0 – 10 s with function key)
Continuous on function and sanitary rinse time:	Preset to 2 min (adjustable from 0.5 to 20 min with function key)
Temporary off function:	2 min (fixed)
Standards:	DIN EN 200; Noise class I; CE

Note:	Service APP only available in combination with BLE converter, no permanent evaluation option.
	BLE Converter to be ordered separately for connection via Service APP.
	The CNX Converter must be ordered separately for integration into the CNX water management system.

Type options

- without or with temperature control
- Projection 120 | 170 | 220 mm



Required accessories	Order number
Framing kit HANSAVAROX U3V	220.027.00
Special flush-connector	550.024.00

lino concealed wall mounted faucet

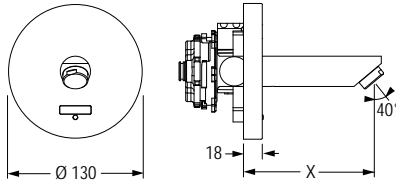


lino WW20, without temperature control



Type: battery | 6 V lithium battery CRP2

Description		Order number
Projection (x)	120 mm	120.331.11
Projection (x)	170 mm	120.330.11
Projection (x)	220 mm	120.332.11



VARIOconnect | for single and multiple power supply, data connection

Description		Order number
Multifunction interface ☞ VARIOconnect		
Projection (x)	120 mm	120.341.11
Projection (x)	170 mm	120.340.11
Projection (x)	220 mm	120.342.11

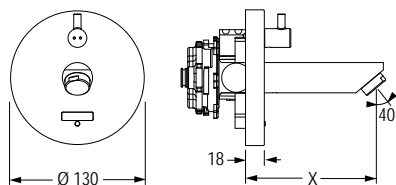


lino WW10, with temperature control



Type: battery | 6 V lithium battery CRP2

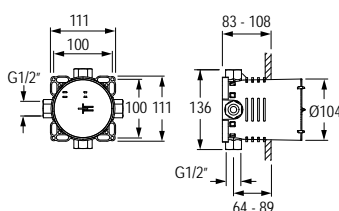
Description		Order number
Projection (x)	120 mm	120.371.11
Projection (x)	170 mm	120.370.11
Projection (x)	220 mm	120.372.11



VARIOconnect | for single and multiple power supply, data connection

Description		Order number
Multifunction interface ☞ VARIOconnect		
Projection (x)	120 mm	120.381.11
Projection (x)	170 mm	120.380.11
Projection (x)	220 mm	120.382.11

HANSAVAROX U3V basic unit, compact solution, DN15 – framing kit



- Concealed body, mounting depth: 83 – 108 mm, suitable for drywall
- Connection unit: dezincification-resistant brass (MS 63)
- Installation box and protective cover made of plastic
- Sealing collar
- Multifix fixing system, all connections G 1/2" (1 plug included)
- Without stop valve
- B-Lock special pressure test plug (prefitted)
- Intrinsically safe against backflow for residential use (in accordance with DIN EN 1717)
- Flushing to DIN 1988 with B-Lock special flush-connector (see accessories)
- Standard: CE

Description	Order number
HANSAVAROX basic unit U3V	220.027.00



Technical data

Battery:	6 V lithium CRP2 - commercially available; service life time of up to 4 years
VARIOconnect:	For single and multiple power supply, data connection
Operating pressure:	0.3–10 bar
Flow rate (approx.):	6 l/min (3 bar)
Water temperature (max.):	80 °C
Aerator:	Economy aerator, cascade (self-cleaning)
Strainers:	0.5 mm mesh width
Sensor sensitivity:	Continuous automatic self-calibration
Water run-on time:	Preset to 1 s (adjustable to 0 – 10 s with function key)
Continuous on function and sanitary rinse time:	Preset to 2 min (can be adjusted from 0.5 to 20 min with function key)
Temporary off function:	2 min (fixed)
Standards:	DIN EN 200; Noise class I; CE

Note: Service APP only available in combination with BLE converter, no permanent evaluation option.

BLE Converter to be ordered separately for connection via Service APP.

The CNX Converter must be ordered separately for integration into the CNX water management system.

Type options

- Projection 120 | 170 | 220 mm



Required accessories

Framing kit U3A

Order number

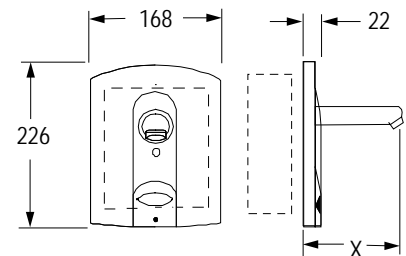
200.027.00

CONTI+ iQ

A50 concealed wall mounted faucet with IR sensor, without temperature control – fully fitted kit

Touch-free, electronically controlled wall spout for concealed installation:

- For cold or premixed water
- Robust design; brushed stainless steel front panel and spout
- Functionally reliable ROBUST solenoid valve (with low water pressure protection) and economy aerator
- Dual infrared sensor technology (fully automatic adjustment), microprocessor electronics
- "Temporary off" function (cleaning) and "continuous on" function (filling) (can be activated with Click-plus)
- "Continuous on" function time (adjustable via function key)
- Water run-on time, sensor sensitivity (adjustable via function key)
- 12, 24 or 48-hour sanitary rinse (adjustable via function key)
- Variable installation in combination with installation kit (U3A, U2A)
- Compatible with the Service APP: possible to monitor saved operating data, adjust settings and control functions
- Can be integrated into the CNX water management system



Type: battery | 6 V lithium battery CRP2

Description		Order number
Projection (x)	120 mm	100.331.00
Projection (x)	170 mm	100.330.00
Projection (x)	220 mm	100.332.00



VARIOconnect | for single and multiple power supply, data connection

Description		Order number
Multifunction interface ☞ VARIOconnect		
Projection (x)	120 mm	100.347.00
Projection (x)	170 mm	100.346.00
Projection (x)	220 mm	100.348.00



Faucets electronic

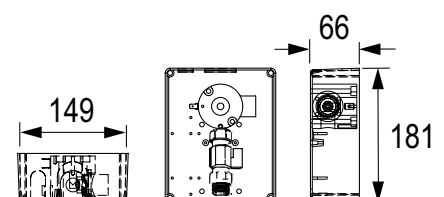
U3A framing kit, for A50 concealed wall mounted faucets

Framing kit U3A

- Concealed installation box, stop valve and protection cover
- Valve body, stop valve (3/4 swivel nut) and mounting plate
- Solenoid valves, already fitted



Description	Order number
Framing kit U3A	200.027.00



CONTI+ CONGENIAL FIT

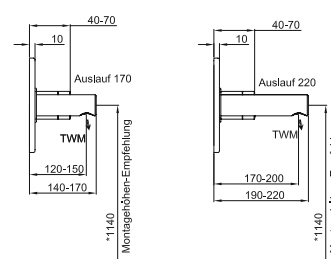
Concealed wall mounted faucet, thermostat, IR sensor, DN15 – fully fitted kit

Fully fitted kit for an electronic wall mounted faucet for washbasins, designed as a concealed wall mounted faucet with DN15 nominal diameter. With thermostatic mixer for connection to cold and hot water. For new build and refurbishment projects in public, semi-public and commercial washrooms.

- Fully fitted kit with angular cover plate for wall mounted faucets for concealed washbasins
- Concealed anti-theft proof fixing, robust 2-way locking system, multiple sealing system with condensation drain outlet
- Cover plate: 1.4301 stainless steel, all visible surfaces: stainless steel brushed or chrome plated
- Support frame for cover plate
- Apertures for function elements and thermostat, including EPDM sealing rings
- Multifunctional tool for maintenance work
- CONGENIAL adaptive multifunctional water inlet with 6 V/DC ROBUST solenoid valve, bistable
- Upgrade and conversion functionalities
- Faucet body: dezincification-resistant pressed brass, as high grade thermostatic mixer faucet, thermostat handle: chrome plated brass
- Visible components made from solid, high-gloss chrome plated brass, with safety stop
- Choice of temperature setting range
- Integral non-return valves in the bypass and non-return valves and strainer cartridges for water inlets
- All working parts removable without dismantling the faucet body during maintenance work
- Electronic, touch-free operation of the wash function via IR sensor, dual IR sensor technology, fully automatic adjustment
- Water running time can be adjusted using the Click function key



* Example with accessories
outlet 170 / 220 mm



Technical data

Connection voltage (battery):	6 V/DC
Connection voltage (mains):	12 V/DC
Connection voltage (CNX):	30 V/DC
Operating pressure:	1.5–5.0 bar
Water temperature in standard mode (max.):	70 °C
Water temperature for thermal disinfection:	briefly 80 °C for thermal disinfection
Flow rate DN15:	0.15 l/s (Flow rate controller)
Flow rate for thermal disinfection DN15:	0.05 l/s (Flow rate controller)
Water running time setting range (max.):	3–180 s
Water running time factory setting:	30 s
Sanitary rinse factory setting:	Preset to 2 min (can be adjusted from 0.5 to 20 min with a click)
Electronic IP protection:	IP68
Angular dimensions (WxHxD):	225x170x10 mm

Type options

- All visible surfaces: stainless steel brushed or chrome plated
- Spout with 170 mm or 220 mm Length



Note:

BLE Converter to be ordered separately for connection via Service APP.

The CNX Converter must be ordered separately for integration into the CNX water management system.

Required accessories	Order number
Framing kit	CONR5112
Spout 170 mm, chrome plated	CONO820170
Spout 220 mm, chrome plated	CONO820220
Key switch	see accessories
Power supply unit	CONO511000
Power supply unit alternative	CONO512000
CNX control centre	see CNX
Optional accessories	Order number
BLE Converter 2. Generation	CONO270000
Electronic thermal disinfection retrofit kit	CONO322000
Extension kit 30 mm	CONO672200

CONGENIAL FIT wall mounted faucet, angular



Brushed stainless steel cover plate



Type: battery | 6 V lithium battery CRP2

Functions	Order number
Sanitary rinse	CONE7116218100



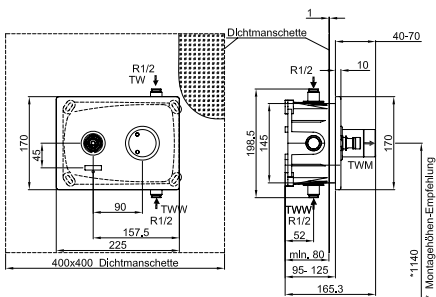
Type: mains | 12 V/DC power supply unit, exposed design

Functions	Order number
Sanitary rinse	CONE7116218200



Type: CNX | 30 V/DC power supply unit to CNX control centre

Functions	Order number
Sanitary rinse cleaning stop CNX mains operation	CONE7116218336



Chrome plated stainless steel cover plate



Type: battery | 6 V lithium battery CRP2

Functions	Order number
Sanitary rinse	CONE7156218100



Type: mains | 12 V/DC power supply unit, exposed design

Functions	Order number
Sanitary rinse	CONE7156218200



Type: CNX | 30 V/DC power supply unit to CNX control centre

Functions	Order number
Sanitary rinse cleaning stop CNX mains operation	CONE7156218336

CONTI+ CONGENIAL FIT

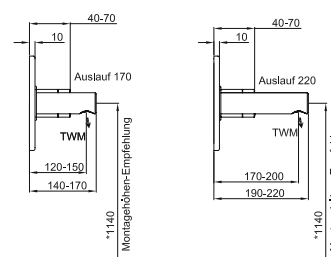
Concealed wall mounted faucet, thermostat, piezo push button, DN15 – fully fitted kit

Fully fitted kit for an electronic wall mounted faucet for washbasins, designed as a concealed wall mounted faucet with DN15 nominal diameter. With thermostatic mixer for connection to cold and hot water. For new build and refurbishment projects in public, semi-public and commercial washrooms.

- Fully fitted kit with angular cover plate for wall mounted faucets for concealed washbasins
- Concealed anti-theft proof fixing, robust 2-way locking system, condensation drain outlet
- Cover plate: 1.4301 stainless steel
- All visible surfaces: stainless steel brushed or chrome plated
- Support frame for cover plate
- Apertures for function elements and thermostat, including EPDM sealing rings
- Multifunctional tool for maintenance work
- CONGENIAL adaptive multifunctional water inlet with 6 V/DC ROBUST solenoid valve, bistable
- Upgrade and conversion functionalities
- Faucet body: dezincification-resistant pressed brass, as high grade thermostatic mixer faucet, thermostat handle: chrome plated brass
- Visible components made from solid, high-gloss chrome plated brass, with safety stop
- Choice of temperature setting range
- Integral non-return valves in the bypass and non-return valves and strainer cartridges for water inlets
- All working parts removable without dismantling the faucet body during maintenance work
- Electronic operation of the shower function via start/stop piezo push button; piezo push button: ring coloured red, high-gloss chrome plated collar
- Water running time can be adjusted with piezo push button



* Example with accessories outlet 170 / 220 mm



Technical data

Connection voltage (battery):	6 V/DC
Connection voltage (mains):	12 V/DC
Connection voltage (CNX):	30 V/DC
Operating pressure:	1.5–5.0 bar
Water temperature (max.):	70 °C (briefly 80 °C for thermal disinfection)
Flow rate DN15:	0.15 l/s (Flow rate controller)
Flow rate for thermal disinfection DN15:	0.05 l/s (Flow rate controller)
Water running time setting range (max.):	3–180 s
Water running time factory setting:	30 s
Sanitary rinse setting range:	12, 24 or 72 h, or can be disabled – all via piezo push button setting; other sanitary rinse intervals can be set via Service APP or CNX
Sanitary rinse factory setting:	12 h after the water flow was last triggered, 30 s water running time
Electronic IP protection:	IP68
Angular dimensions (WxHxD):	225x170x10 mm

Type options

- All visible surfaces: stainless steel brushed or chrome plated
- Spout with 170 mm or 220 mm Length



Note:

BLE Converter to be ordered separately for connection via Service APP.

The CNX Converter must be ordered separately for integration into the CNX water management system.

Required accessories	Order number
Framing kit	CONR5112
Spout 170 mm, chrome plated	CONO820170
Spout 220 mm, chrome plated	CONO820220
Key switch	see accessories
Power supply unit	CONO511000
Power supply unit alternative	CONO512000
CNX control centre	see CNX
Optional accessories	Order number
BLE Converter 2. Generation	CONO270000
Electronic thermal disinfection retrofit kit	CONO322000
Extension kit 30 mm	CONO672200

CONGENIAL FIT wall mounted faucet, angular



Brushed stainless steel cover plate



Type: battery | 6 V lithium battery CRP2

Functions	Order number
Sanitary rinse	CONE7116211100



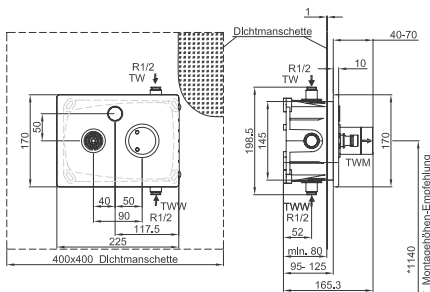
Type: mains | 12 V/DC power supply unit, exposed design

Functions	Order number
Sanitary rinse	CONE7116211200



Type: CNX | 30 V/DC power supply unit to CNX control centre

Functions	Order number
Sanitary rinse cleaning stop CNX mains operation	CONE7116211336
Sanitary rinse cleaning stop CNX mains operation Thermal disinfection CNX	CONE7116211360



Chrome plated stainless steel cover plate



Type: battery | 6 V lithium battery CRP2

Functions	Order number
Sanitary rinse	CONE7156211100



Type: mains | 12 V/DC power supply unit, exposed design

Functions	Order number
Sanitary rinse	CONE7156211200



Type: CNX | 30 V/DC power supply unit to CNX control centre

Functions	Order number
Sanitary rinse cleaning stop CNX mains operation	CONE7156211336
Sanitary rinse cleaning stop CNX mains operation Thermal disinfection CNX	CONE7156211360

CONTI+ lino

Exposed wall mounted faucet, with IR sensor, stainless steel, without | with temperature control | with thermostat – fully fitted kit

Touch-free, electronically controlled wall mounted faucet for exposed installation:

K20 | without temperature control:

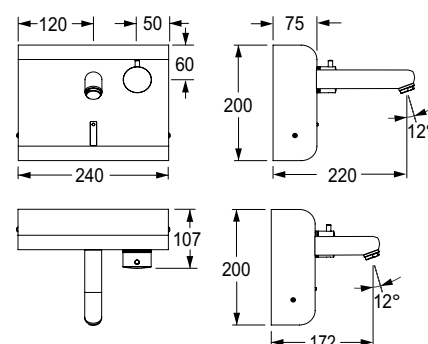
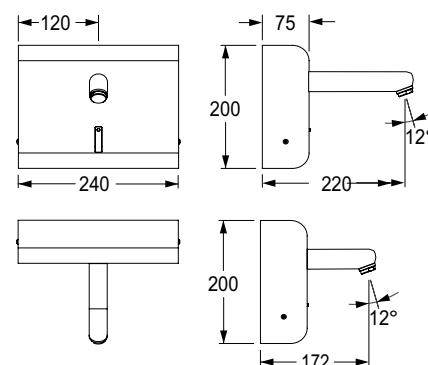
- For cold or premixed water
- Water connection with flexible pressure hose, strainer (integral)

K10 | K30 | with temperature control:

- Cold and hot water connection with flexible pressure hoses, check valves and strainers (integral)

All versions:

- Robust stainless steel housing with fixed spout (cannot be swivelled)
- Dual infrared sensor technology (fully automatic adjustment), microprocessor electronics
- Functionally reliable ROBUST solenoid valve (with low water pressure protection) and economy aerator
- "Temporary off" function (cleaning) and "continuous on" function (filling) (activated via function key)
- "Continuous on" function and sanitary rinse time (adjustable via function key)
- Water run-on time, sensor sensitivity (adjustable via function key)
- 12, 24 or 48-hour sanitary rinse (adjustable via function key)
- Installation: mounted to the wall by means of a mounting frame; hinged to the front
- Compatible with the Service APP: possible to monitor saved operating data, adjust settings and control functions
- Can be integrated into the CNX water management system



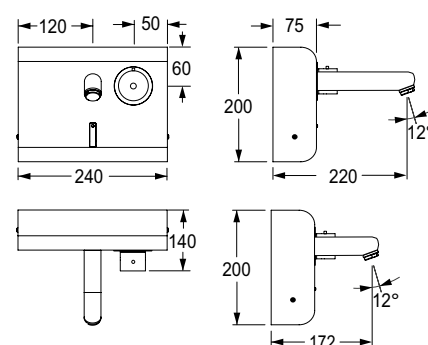
Optional accessories	Type	Order number
Temperature control conversion kit with fixed temperature limit at 42 °C	For model K30	550.067.11

Technical data

Battery:	6 V lithium CRP2 - commercially available; life time of up to 4 years
Mains operation, concealed:	Power supply unit 230 V/DC / 6 V/DC
Operating pressure:	0.3 – 10 bar
Flow rate (approx.):	6,5 l/min (3 bar)
Water temperature (max.):	80 °C
Aerator:	Economy aerator, cascade (self-cleaning)
Pressure hose:	350 mm
Angle valve connections:	G 3/8"
Strainers:	0.5 mm mesh width
Sensor sensitivity:	Continuous automatic self-calibration
Water run-on time:	Preset to 1 s (adjustable to 0 – 10 s with function key)
Continuous on function and sanitary rinse time:	Preset to 2 min (adjustable from 0.5 to 20 min with function key)
Temporary off function:	2 min (fixed)
Standards:	DIN EN 200; Noise class I; CE

Note: BLE Converter to be ordered separately for connection via Service APP.

The CNX Converter must be ordered separately for integration into the CNX water management system.



Type options

- Projection 172 | 220 mm



lino exposed wall mounted faucet



lino K20, without temperature control

**Type: battery** | 6 V lithium battery CRP2

Description	Order number	
Projection (x) 172 mm	172 mm	110.230.00
Projection (x) 220 mm	220 mm	110.230.01

**Type: mains** | concealed power supply unit 230 V/DC / 6 V/DC

Description	Order number	
Multifunction interface VARIOconnect		
Projection (x) 172 mm	172 mm	110.240.00
Projection (x) 220 mm	220 mm	110.240.01



lino K10, with temperature control

**Type: battery** | 6 V lithium battery CRP2

Description	Order number	
Projection (x) 172 mm	172 mm	110.270.00
Projection (x) 220 mm	220 mm	110.270.01

**Type: mains** | concealed power supply unit 230 V/DC / 6 V/DC

Description	Order number	
Multifunction interface VARIOconnect		
Projection (x) 172 mm	172 mm	110.280.00
Projection (x) 220 mm	220 mm	110.280.01



lino K30, with thermostat

**Type: battery** | 6 V lithium battery CRP2

Description	Order number	
Projection (x) 172 mm	172 mm	110.271.00
Projection (x) 220 mm	220 mm	110.271.01

**Type: mains** | concealed power supply unit 230 V/DC / 6 V/DC

Description	Order number	
Multifunction interface VARIOconnect		
Projection (x) 172 mm	172 mm	110.281.00
Projection (x) 220 mm	220 mm	110.281.01

CONTI+ lino

Exposed wall mounted faucet, with thermostat, chrome plated

Touch-free, electronically controlled wall mounted faucet for exposed installation:

W35 | With IR sensor:

- "Continuous on" function time (adjustable via function key)
- Water run-on time, sensor sensitivity (adjustable via function key)
- 12, 24 or 48-hour sanitary rinse (activated via function key)

W45 | With touch-free start/stop function (proximity sensor):

- "Temporary off" function (cleaning) and "continuous on" function (filling) (activated via touch control)
- „Continuous on“ function and sanitary rinse time (adjustable via touch control)
- Water run-on time, sensor sensitivity (adjustable via touch control)
- 12, 24 or 48-hour sanitary rinse (activated via touch control)

Both versions:

- For cold and hot water connection
- Robust design, chrome plated brass faucet body
- Fixed spout and sensor
- Dual infrared sensor technology (proximity sensor), microprocessor electronics
- Functionally reliable ROBUST solenoid valve (with low water pressure protection) and economy aerator
- Temperature selectable (via functionally reliable thermostatic cartridge)
- With anti-scalding and auto-thermal protection
- 3/4" S connections and collars included (shut-off device optional)



Technical data

Battery:	6 V lithium CRP2 - commercially available; service life time of up to 4 years
Operating pressure:	0.3–10 bar
Flow rate (approx.):	5 l/min (3 bar)
Water temperature (max.):	80 °C
Aerator:	Economy aerator, cascade (self-cleaning)
Strainer:	0.5 mm mesh width
Sensor sensitivity:	Continuous automatic self-calibration
Water run-on time W35:	Preset to 1 s (adjustable to 0 – 10 s with function key)
Water running time W45:	Preset to 7 s (adjustable to 1 – 30 s via touch control)
Continuous on function time:	Preset to 2 min (can be adjusted from 0.5 to 20 min with function key)
Sanitary rinse time:	Preset to 2 min (adjustable to 3 s – 20 min with function key)
Temporary off function:	2 min (fixed)
Standards:	DIN EN 200; CE

Note: Service APP only available in combination with BLE converter, no permanent evaluation option.

BLE Converter to be ordered separately for connection via Service APP.

Optional accessories

Order number

S connection with shut-off, chrome plated

550.016.11

Temperature control conversion kit with fixed temperature limit at 42 °C for W35/W45 models

CONZ8139729

Type options

- With IR sensor or touch-free start/stop function
- Projection 200 | 260 mm



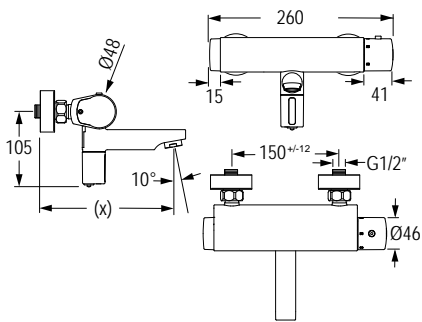
lino exposed wall mounted faucet

lino W35, with IR sensor



Type: battery | 6 V lithium battery CRP2

Description		Order number
Projection (x)	200 mm	110.305.11
Projection (x)	260 mm	110.306.11

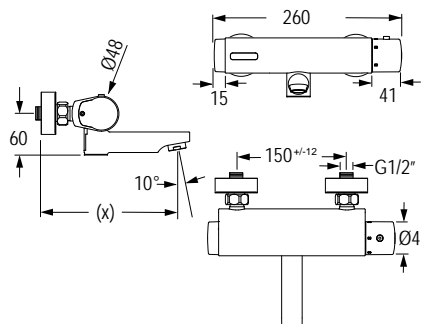


lino W45, with touch-free start/stop function



Type: battery | 6 V lithium battery CRP2

Description		Order number
Projection (x)	200 mm	110.307.11
Projection (x)	260 mm	110.308.11



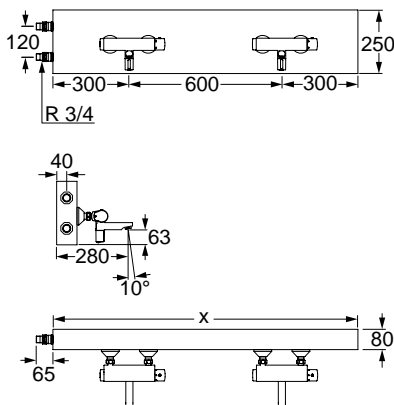


lino W35 multiple faucet distributor, with IR sensor, with thermostat



Pre-assembled faucet unit with lino W35 touch-free exposed wall mounted faucet, chrome plated, and complete distribution line in an exposed stainless steel distributor, for wall mounting.

- Robust design
- Fixed spout and sensor
- Dual infrared sensor technology (fully automatic adjustment), microprocessor electronics
- Functionally reliable ROBUST solenoid valve (with low water pressure protection) and economy aerator
- Temperature selectable (via functionally reliable thermostatic cartridge)
- With anti-scalding and auto-thermal protection
- "Temporary off" function (cleaning) and "continuous on" function (filling) (can be activated with Click-plus)
- "Continuous on" function time (adjustable via function key)
- Water run-on time, sensor sensitivity (adjustable via function key)
- 12, 24 or 48-hour sanitary rinse (activated via function key)
- 3/4" S connections and collars included (shut-off device optional)
- Compatible with the Service APP: possible to monitor saved operating data, adjust settings and control functions



Type: battery | 6 V lithium battery CRP2

Description	Length	Order number
2 Faucet units	1200 mm	CONE7352218100
3 Faucet units	1800 mm	CONE7353218100
4 Faucet units	2400 mm	CONE7354218100
5 Faucet units	3000 mm	CONE7355218100
6 Faucet units	3600 mm	CONE7356218100

Technical data

Battery:	6 V lithium CRP2 - commercially available; service life time of up to 4 years				
Operating pressure:	0.3 – 10 bar				
Flow rate (approx.):	5 l/min (3 bar) per faucet				
Water temperature (max.):	80 °C				
Aerator:	Economy aerator, cascade (self-cleaning)				
Strainers:	0.5 mm mesh width				
Sensor sensitivity:	Continuous automatic self-calibration				
Water run-on time:	Preset to 1 s (adjustable to 0 – 10 s with function key)				
Continuous on function:	Preset to 2 min (adjustable from 0.5 to 20 min with function key)				
Sanitary rinse time:	2 min (fixed) (adjustable to 3 s – 20 min with function key)				
Temporary off function:	2 min (fixed)				
Projection:	280 mm / 10 °				
Mounting height:	350 – 450 mm above washbasin/wash trough				
Number of washbasins:	2	3	4	5	6
Structural width (x):	1200	1800	2400	3000	3600 mm
Dimensions (HxD):	250x80 mm				
Faucet distance:	600 mm				
Connection:	R 3/4				
Standards:	DIN EN 200; CE				



CONGENIAL stainless steel multiple faucet assembly kit, thermostat, piezo push button, DN15

Multiple faucet assembly kit with two or three electronic wall mounted faucets for washbasins, designed with DN15 nominal diameter. With thermostatic mixer for connection to cold and hot water. For new build and refurbishment projects in public, semi-public and commercial washrooms.




- Multiple faucet assembly kit with angular cover; fixed in place using countersunk screws
- Cover: 1.4301 stainless steel, all visible surfaces: brushed stainless steel
- Flexible hoses as connecting line
- Multifunctional tool for maintenance work
- CONGENIAL adaptive multifunctional water inlet with 6 V/DC ROBUST solenoid valve, bistable
- Upgrade and conversion functionalities
- Faucet body: dezincification-resistant pressed brass, as high grade thermostatic mixer faucet, thermostat handle: chrome plated brass
- Visible components made from solid, high-gloss chrome plated brass, with safety stop
- Choice of temperature setting range
- Integral non-return valves in the bypass and non-return valves and strainer cartridges for water inlets
- All working parts removable without dismantling the faucet body during maintenance work
- Electronic operation of the triggering of the water flow via start/stop piezo push button; piezo push button: ring coloured red, high-gloss chrome plated collar
- Water running time can be adjusted with piezo push button or Service APP

Examples with accessories spout



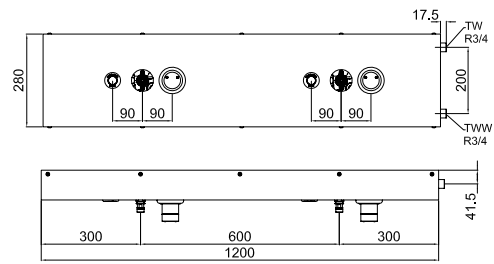
Technical data

Connection voltage (mains):	12 V/DC
Connection voltage (CNX):	30 V/DC
Operating pressure:	1.5–5.0 bar
Water temperature (max.):	70 °C (briefly 80 °C for thermal disinfection)
Flow rate DN15:	0.15 l/s (Flow rate controller)
Flow rate for thermal disinfection DN15:	0.05 l/s (Flow rate controller)
Water run-on time:	Preset to 30 s (adjustable to 3–180 s)
Sanitary rinse setting range:	12, 24 or 72 h, or can be disabled – all via piezo push button setting; other sanitary rinse intervals can be set via the Service APP
Sanitary rinse factory setting:	12 h after the water flow was last triggered, 30 s water running time
Electronic IP protection:	IP68
Two-station dimensions (WxHxD):	1200x280x90 mm
Three-station dimensions (WxHxD):	1700x280x90 mm
Faucet distance:	600 mm

Required accessories	Order number
Spout 170 mm, chrome plated	CONO820170
Spout 220 mm, chrome plated	CONO820220
Key switch	see 118
 Power supply unit	CONO511000
 Power supply unit alternative	CONO512000
 CNX control centre	see CNX

Optional accessories	Order number
BLE Converter 2. Generation	CONO270000
Electronic thermal disinfection retrofit kit	CONO322000



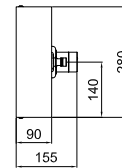


CONGENIAL double faucet assembly kit



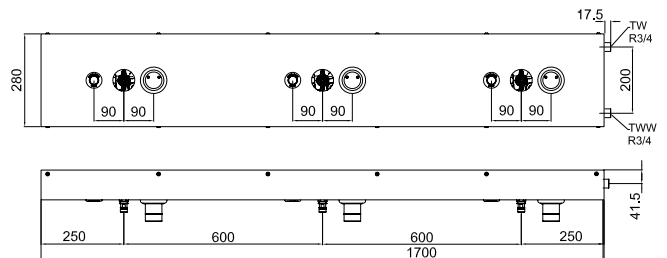
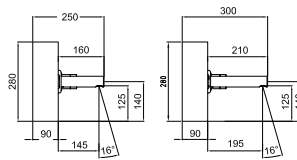
Type: mains | 12 V/DC power supply unit, exposed design

Functions	Order number
Sanitary rinse	CONE7312201200



Type: CNX | 30 V/DC power supply unit to CNX control centre

Functions	Order number
Sanitary rinse cleaning stop CNX mains operation	CONE7312201336
Sanitary rinse cleaning stop CNX mains operation Thermal disinfection CNX	CONE7312201360



CONGENIAL triple faucet assembly kit



Type: mains | 12 V/DC power supply unit, exposed design

Functions	Order number
Sanitary rinse	CONE7313201200



Type: CNX | 30 V/DC power supply unit to CNX control centre

Functions	Order number
Sanitary rinse cleaning stop CNX mains operation	CONE7313201336
Sanitary rinse cleaning stop CNX mains operation Thermal disinfection CNX	CONE7313201360





Sink faucet

Hybrid kitchen faucet H10 214

CONTI+ H10

Hybrid kitchen faucet, single-lever mixer with IR sensor, chrome plated

Touch-free H10 kitchen faucet with temperature control.

- Monobloc without base, robust brass housing, chrome-plated
- Battery version: external battery box under the washbasin
- Cold and hot water connection with flexible pressure hoses
- Check valves and strainers (integral)
- Installed in the same way as a conventional kitchen faucet
- Single-lever kitchen faucet with a high spout that can be swivelled through 360°, temperature and volume selectable via lever with reliable ceramic cartridge and adjustable hot water lock
- Touch-free, electronic operation of the kitchen faucet or convenient operation via lever; temperature adjustment for sensor operation via lever position in closed state
- Dual infrared sensor technology (fully automatic adjustment), microprocessor electronics
- Turn to adjust the position of the infrared sensor for alignment with the basin (centre, left, right)
- "Temporary off" function (cleaning) and "continuous on" function (filling) (activated via function key)
- "Continuous on" function time (adjustable via function key)
- Water run-on time, sensor sensitivity (adjustable via function key)
- 12 or 24-hour sanitary rinse (activated via function key)



Technical data

Battery:	6 V lithium CRP2 - commercially available; service life time of up to 4 years
Mains operation, exposed: VARIOconnect:	Plug-in power supply unit 230 V / 6 V for single and multiple power supply
Operating pressure:	0.3 – 10 bar
Flow rate (approx.):	Single-lever mixer: 11 l / min (3 bar); sensor: 5 l/min (1 – 5 bar)
Pressure hoses:	350 mm
Angle valve connection:	G 3/8
Strainers:	0.5 mm mesh width
Sensor sensitivity:	Continuous automatic self-calibration
Sensor range:	Object detection (approx. 250 mm) via proximity sensor (approx. 50 mm)
Water run-on time:	Preset to 1 s (adjustable to 0 – 10 s with function key)
Continuous on function and sanitary rinse time:	Preset to 2 min
Temporary off function:	2 min (fixed)
Standards:	DIN EN 200; CE

Note: BLE Converter to be ordered separately for connection via Service APP.

The CNX Converter must be ordered separately for integration into the CNX water management system.

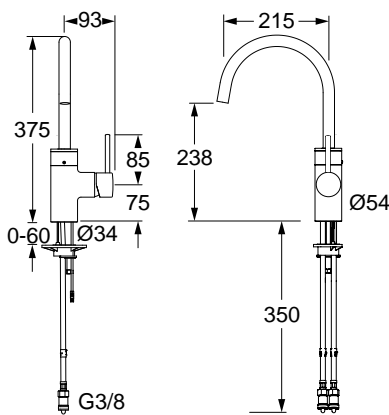
Optional accessories	Order number
Swivel restraint	CONO890000
BLE Converter 2. Generation	CONO270000
 CNX Converter	CONO214641

Kitchen faucet H10, with temperature control



Type: battery | 6 V lithium battery CRP2 resp. DL 223 A

Functions	Order number
Hybrid without waste set sanitary rinse Click-plus function key Multifunction interface VARIOconnect	131.800.11CO



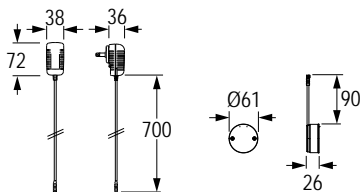
Type: mains | Plug-in power supply unit 230 V / 6 V

Functions	Order number
Hybrid without waste set sanitary rinse Click-plus function key Multifunction interface VARIOconnect	131.810.11CO



Type: VARIOconnect | for single and multiple power supply

Functions	Order number
Hybrid without waste set sanitary rinse Click-plus function key Multifunction interface VARIOconnect	131.816.11CO



An innovation in the kitchen

The H10 single-lever kitchen faucet offers a variety of ways to make cooking even easier. The practical additional functions "short-off" and "pot-filling mode", which can be triggered via the function key, make cleaning and filling the washbasin easier. The 12- or 24-hour hygiene rinse is also easy to set with this button. The high swivelling spout makes it comfortable to work under

the faucet and, thanks to the rotating IR sensor, the faucet ensures optimum triggering of the water jet even with a double washbasin. The IR sensor also includes a close-up detection, which ensures that the water flow does not start immediately when a pot is placed underneath. It is only triggered when an object or hand comes within a few centimetres of the sensor.





Mechanical faucets

Free-standing and wall-mounted

lino SofTouch	220
CONWASH	222

Actuation made easy

CONTI+ self-closing faucets with patented cartridge technology

CONTI+ SofTouch – Smooth-running operation

Mechanical automatic shut-off faucets are the ideal addition to the CONTI+ portfolio of electronic faucets. Robust, simple to operate and particularly resistant to any form of vandalism – the mechanical automatic shut-off faucet is a dependable solution for public washrooms. Water delivery begins at the press of a button and – unlike with single-lever mixers – is reliably stopped thanks to the fully automatic shut-off mechanism. Automatic shut-off faucets use up to 55 % less water than single-lever mixers, since water is only provided as needed.



Pushbutton (easy to press)

Smooth actuation of the mechanical automatic shut-off function over the entire pressure range

Actuation of the water flow
Maximum actuating force 15 N = 1.5 kg

Integral technology

The new patented, reliable CONTI+ automatic shut-off cartridge technology enables smooth actuation, independent of the water pressure



Hygienic
Germ-inhibiting materials



Robust body
Stainless steel/chrome plated stainless steel. Hygienic, robust and vandal-proof



Water saving

The CONTI+ automatic shut-off cartridge technology saves water by automatically limiting the water running time



Temperature-adjusting lever
Can be removed to lock the temperature setting



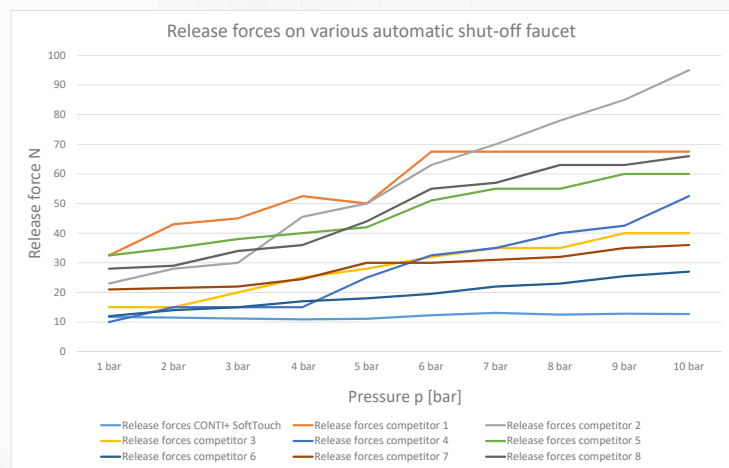
Intuitive
Temperature-adjusting lever for temperature control

Upright faucet connection options

Cold and hot water connection (with temperature control)
Cold or premixed water (without temperature control)



The new CONTI+ lino SofTouch features the patented CONTI+ automatic shut-off cartridge technology, for uniquely smooth actuation of the mechanical automatic shut-off function over the entire pressure range. This means the faucet can be used very easily by children and those with impaired movement.



Only very gentle pressure is needed to start the water flow. Unlike with single-lever mixers, water delivery stops completely automatically. Automatic shut-off faucets use up to 55% less water since water is only provided as needed.

Hygiene and a vandal-proof actuating cap also play a major role in the CONTI+ lino SofTouch mechanical automatic shut-off faucet. Germ-inhibiting materials made from stainless steel and chrome plated stainless steel, together with the CONTI+ hygiene concept, mean that the drinking water supply is fully safeguarded. The faucet is therefore perfectly suited for use in highly frequented public and semi-public facilities.

CONTI+ lino SofTouch

Automatic shut-off faucet without I with temperature control

Hydraulically controlled automatic shut-off faucet:

- Mechanical, hydraulically controlled automatic shut-off faucet with smooth actuation
- Running time 6 – 10 s for a typical actuation duration of 0.2 s
- Functionally reliable pressure cartridge
- Hydraulic cartridge protected against vandalism through restricted travel of the actuating cap

Technical data

Operating pressure:	0.5–10 bar
Flow rate:	6 l/min (3 bar)
Water temperature (max.):	80 °C
Triggering force (max.):	15 N (independent of operating pressure)
Pressure hoses:	approx. 350 mm
Angle valve connections:	G 3/8
Strainers:	0.5 mm mesh width

Flow angle:	40°
Spout height:	73 mm
Projection:	90 mm
Standards:	DIN EN 200, DIN EN 816; CE

Type options

- without or with temperature control
- stainless steel or chrome plated stainless steel



lino SofTouch

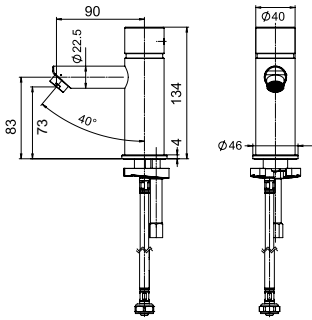


lino SofTouch ST20, without temperature control



- For connection to cold or premixed water
- Housing and actuating cap: stainless steel | chromed stainless steel

Description	Material / Colour	Order number
lino SofTouch ST20	Stainless steel	CONM8110104000
	Chrome	CONM8150104000

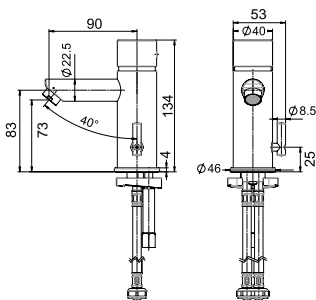


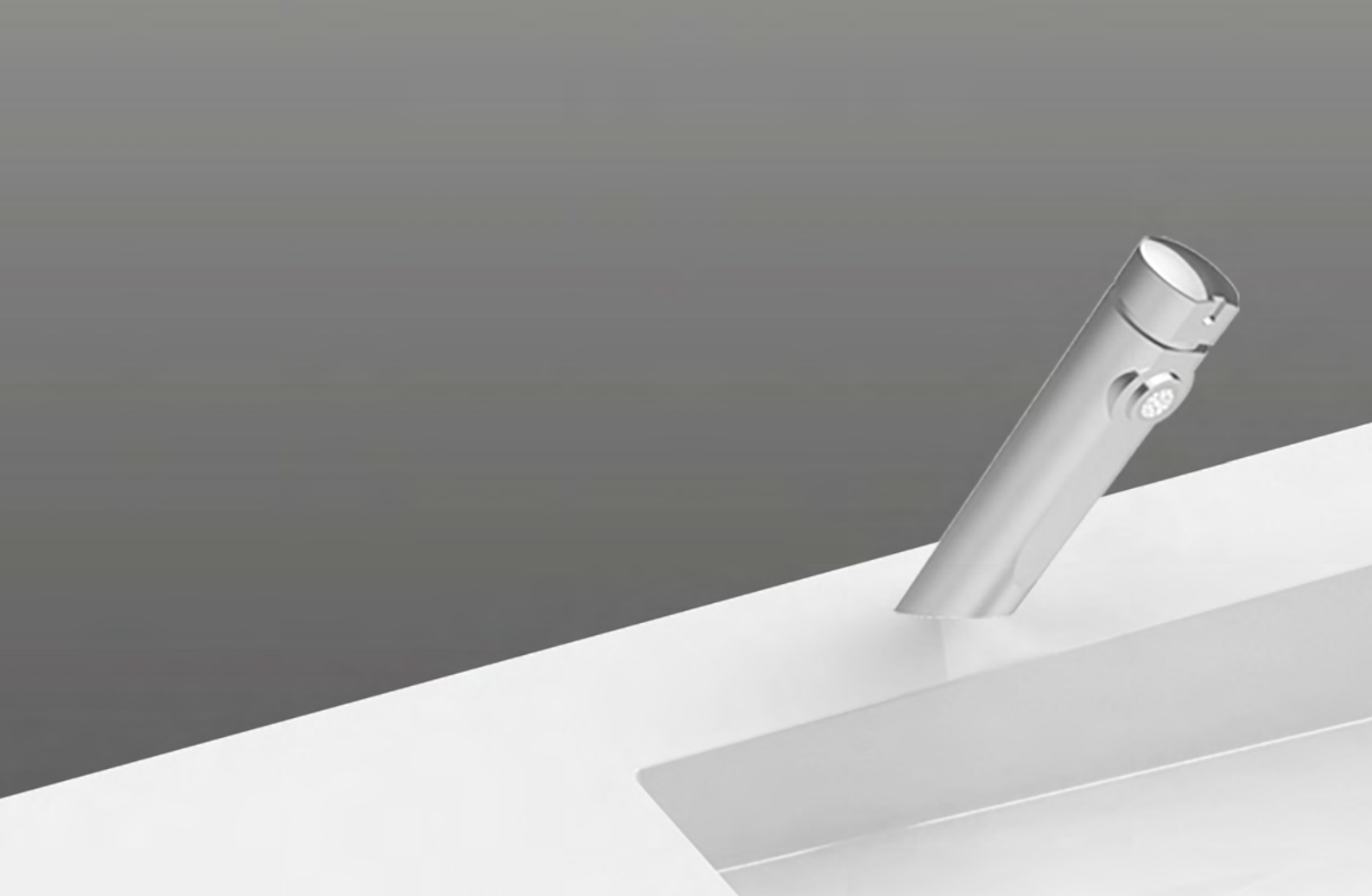
lino SofTouch ST10, with temperature control



- For connection to cold and hot water
- Housing and actuating cap: stainless steel | chromed stainless steel

Description	Material / Colour	Order number
lino SofTouch ST10	Stainless steel	CONM8110204000
	Chrome	CONM8150204000



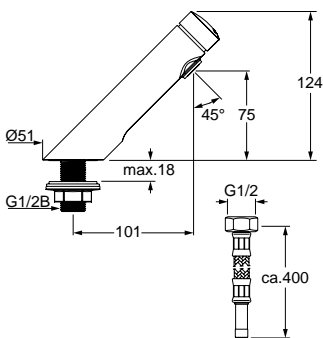


CONWASH washbasin mounted automatic shut-off valve, DN15



- For connection to cold or premixed water
- Solid metal design
- Housing and actuating cap: chromed stainless steel
- Without temperature control
- Adjustable flow rate
- Hygienic aerator
- Two plastic clips: Red and blue plastic clip for indicating cold or mixed water

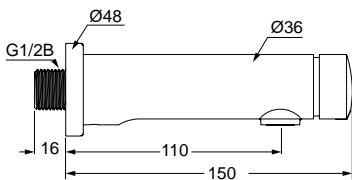
Operating pressure: 1.0–5.0 bar
 Flow rate: 0.05 l/s (0.05 – 0.25 l/s adjustable, 3 bar flow pressure)
 Water temperature (max.): 50 °C (briefly 70 °C for thermal disinfection)
 Pressure hoses: With flexible 400 mm connection line, inner tube material certified to DVGW W 543 and DVGW W 270 as well as KTW A (outer stainless steel mesh) and filter seal
 Connection: Pipe for compression fitting Ø 10 mm
 Water running time: approx. 7 s, according to DIN EN 816
 Spout height: 75 mm
 Projection: 101 mm / 45°
 Standard: Noise class I



Description	Colour	Order number
CONWASH washbasin mounted automatic shut-off valve	Chrome	CONM3364100000



CONWASH wall mounted automatic shut-off valve, DN15



- For connection to cold or premixed water
- Housing and actuating cap: chromed stainless steel
- Without temperature control
- Adjustable flow rate
- Hygienic aerator
- Collar Ø 48 mm
- Two plastic clips: Red and blue plastic clip for indicating cold or mixed water

Operating pressure: 1.0–5.0 bar
 Flow rate: 0.05 l/s (0.05 – 0.25 l/s adjustable, 3 bar flow pressure)
 Water temperature (max.): 50 °C (briefly 70 °C for thermal disinfection)
 Connection: G 1/2 B
 Water running time: approx. 7 s, according to DIN EN 816
 Projection: 110 mm
 Standard: Noise class I

Description	Colour	Order number
CONWASH wall mounted automatic shut-off valve	Chrome	CONM4664100000





Urinal flush valves

Functional options 226

Concealed urinal flush valves

ultra..... 228

iQ 229

lino 230

Siphon regulator 231

Concealed urinal accessories 232

Exposed urinal flush valves

lino 234

Retrofitting sets

Retrofitting sets urinals 235

Accessories

Urinals Accessories 239

CONTI+ urinal flush valves

At a glance (Not all functions can be combined)

Urinal flush valves	FUNCTIONAL CHARACTERISTICS		
	Water flow actuation		Resource-saving functions
	Self-closing function, electronic	IR sensor	Adjustable water flow time
CONCEALED URINAL FLUSH VALVES			
ultra	•	•	•
iQ	•	•	•
lino	•	•	•
EXPOSED URINAL FLUSH VALVES			
lino	•	•	•
SIPHON REGULATOR			
S10	•	•	•



- Urinal flush valve series ultra**
- Concealed urinal valve
 - Touchless, electronically controlled
 - Double infrared sensor system
 - Fully fitted kit
 - Front panel: toughened glass, white or black
 - Mounting frame, chrome



- Urinal flush valve series iQ**
- Concealed urinal valve
 - Touchless, electronically controlled
 - Double infrared sensor system
 - Fully fitted kit
 - Stable front panel: brushed stainless steel
 - Mounting frame: chrome plated brass

Service functions										Hygiene and safety functions		
Temporary-off - cleaning stop	Short-on - manual flush	Stadium mode - 1 flush per minute	Overflow protection	Self-adapting sensor sensitivity	Function key Click	Function key Touch	VARIOconnect	Service APP	Touchless operation	Touchless operation	Service APP	CNX Water Management System
•	•	•		•		•	•	•	•	•	•	•
•	•	•		•		•	•	•	•	•	•	•
•	•	•		•		•	•	•	•	•	•	•
•	•	•		•	•				•	•	✦	
			•						•	•		

•: Standard function | ✦: Service APP, just possible in combination with BLE Converter



Urinal flush valve series lino

- Concealed urinal valve
- Touchless, electronically controlled
- IR sensor
- Fully fitted kit
- Panel: chrome / window: white
- Panel: white / window: white



Urinal flush valve series lino

- Exposed urinal valve
- Touchless, electronically controlled
- IR sensor
- Exposed installation without electrical wiring
- Stop valve with dirt filter and collar
- Robust brass housing, polished
- Chrome

Urinal flush valves

ultra U18 concealed urinal flush valve, with IR sensor – fully fitted kit

Touch-free, electronically controlled urinal flush valve for concealed installation:

- Front panel: toughened glass, white or black
- Support frame: chrome plated brass
- Dual infrared sensor technology (fully automatic adjustment), microprocessor electronic
- Functionally reliable ROBUST solenoid valve (with low water pressure protection)
- Dynamic sensor: continually adjusts the optimum range
- "Temporary off" function (cleaning) and "short on" function (flushing) (activated via touch control)
- Flush duration and sensor sensitivity (adjustable via touch control)
- 24 or 48-hour forced flushing and pre-flushing (activated via touch control)
- Variable installation in combination with framing kit (U2L, U3L) (not included in the standard delivery)
- Can be integrated into the CNX water management system
- Compatible with the Service APP: possible to monitor saved operating data, adjust settings and control functions

Type: battery | 6 V lithium battery CRP2

Material/Colour	Order number
Front panel: glass white	260.000.31
Front panel: glass black	260.000.71

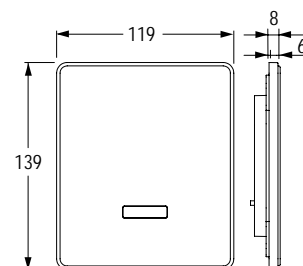
Type: mains | concealed power supply unit 230 V/DC / 6 V/DC

Material/Colour	Order number
Front panel: glass white	260.010.31
Front panel: glass black	260.010.71

Type: VARIOconnect | for single and multiple power supply, data connection

Material/Colour	Order number
Front panel: glass white	260.016.31
Front panel: glass black	260.016.71

Required accessories	Order number
Framing kit U3L	220.022.00



Technical data

Connection voltage (battery):	6 V lithium CRP2 - commercially available
Connection voltage (mains)	Power supply unit 230 V/6 V
VARIOconnect:	for single and multiple power supply, data connection
Operating pressure:	0.3–10 bar
Flow rate (approx.):	20 l/min (3 bar)
Strainer:	0.5 mm mesh width
Sensor sensitivity:	Continuous automatic self-calibration
Flush duration (approx.):	Preset to 7 s (adjustable from 2 to 30 s via touch control)
Temporary off function (approx.):	2 min (fixed)
Residence time (approx.):	10 s (fixed)
Standard:	DIN EN 200; CE
Dimensions (WxHxD):	119x139x6 mm

Type options

- with white or black front plate

Note:

BLE Converter to be ordered separately for connection via Service APP.

The CNX Converter must be ordered separately for integration into the CNX water management system.



iQ U28 concealed urinal flush valve, with IR sensor – fully fitted kit

Touch-free, electronically controlled urinal flush valve for concealed installation without electrical wiring:

- Stable front panel: brushed stainless steel
- Support frame: chrome plated brass
- Dual infrared sensor technology (fully automatic adjustment), microprocessor electronics
- Functionally reliable ROBUST solenoid valve (with low water pressure protection)
- Dynamic sensor: continually adjusts the optimum range
- "Temporary off" function (cleaning) and "short on" function (flushing) (activated via touch control)
- Flush duration and sensor sensitivity (adjustable via touch control)
- 24 or 48-hour forced flushing and pre-flushing (activated via touch control)
- Variable installation in combination with framing kit (U2L, U3L) (not included in the standard delivery)
- Can be integrated into the CNX water management system
- Compatible with the Service APP: possible to monitor saved operating data, adjust settings and control functions



Type: battery | 6 V lithium battery CRP2

Material/Colour	Order number
Front panel: brushed stainless steel	201.000.01



Type: mains | concealed power supply unit 230 V/DC / 6 V/DC

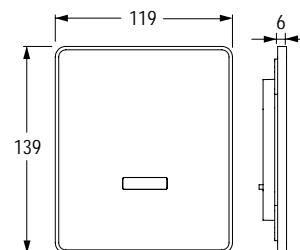
Material/Colour	Order number
Front panel: brushed stainless steel	201.010.01



Type: VARIOconnect | for single and multiple power supply, data connection

Material/Colour	Order number
Front panel: brushed stainless steel	201.016.01

Required accessories	Order number
Framing kit U3L	220.022.00



Technical data

Connection voltage (battery):	6 V lithium CRP2 - commercially available
Connection voltage (mains)	Power supply unit 230 V/6 V
VARIOconnect:	for single and multiple power supply, data connection
Operating pressure:	0.3–10 bar
Flow rate (approx.):	20 l/min (3 bar)
Strainer:	0.5 mm mesh width
Sensor sensitivity:	Continuous automatic self-calibration
Flush duration (approx.):	Preset to 7 s (adjustable from 2 to 30 s via touch control)
Temporary off function (approx.):	2 min (fixed)
Residence time (approx.):	10 s (fixed)
Standard:	DIN EN 200; CE
Dimensions (WxHxD):	119x139x6 mm

Note:

BLE Converter to be ordered separately for connection via Service APP.

The CNX Converter must be ordered separately for integration into the CNX water management system.



lino U10 concealed urinal flush valve, with IR sensor – fully fitted kit

Touch-free, electronically controlled urinal flush valve for concealed installation:

- Robust faucet; front panel: metal
- Dual infrared sensor technology (fully automatic adjustment), microprocessor electronics
- Functionally reliable ROBUST cartridge solenoid valve (with low water pressure protection)
- Dynamic sensor: continually adjusts the optimum range
- "Temporary off" function (cleaning) and "short on" function (flushing) (can be activated with a click)
- Flush duration and sensor sensitivity (adjustable with Click)
- 24 or 48-hour forced flushing and pre-flushing (activated with Click)
- Variable installation in combination with framing kit (U2L, U3L) (not included in the standard delivery)
- Shut-off device and strainer in concealed box
- Can be integrated into the CNX water management system
- Compatible with the Service APP: possible to monitor saved operating data, adjust settings and control functions

Type: battery | 6 V lithium battery CRP2

Material/Colour	Order number
Panel: chrome / window: white	220.000.13
Panel: white / window: white	220.000.33

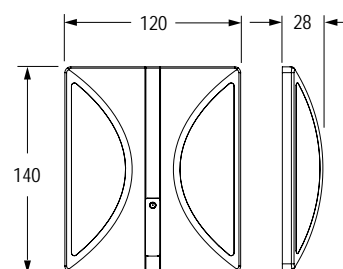
Type: mains | concealed power supply unit 230 V/DC / 6 V/DC

Material/Colour	Order number
Panel: chrome / window: white	220.010.13
Panel: white / window: white	220.010.33

Type: VARIOconnect | for single and multiple power supply, data connection

Material/Colour	Order number
Panel: chrome / window: white	220.016.13
Panel: white / window: white	220.016.33

Required accessories	Order number
Framing kit U3L	220.022.00



Technical data

Connection voltage (battery):	6 V lithium CRP2 - commercially available
Connection voltage (mains)	Power supply unit 230 V/6 V
VARIOconnect:	for single and multiple power supply, data connection
Operating pressure:	0.3–10 bar
Flow rate (approx.):	20 l/min (3 bar)
Strainer:	0.5 mm mesh width
Sensor sensitivity:	Continuous automatic self-calibration
Flush duration (approx.):	Preset to 7 s (adjustable from 2 to 30 s via touch control)
Temporary off function (approx.):	2 min (fixed)
Residence time (approx.):	10 s (fixed)
Standard:	DIN EN 200; CE
Dimensions (WxHxD):	120x140x28 mm

Type options

- With white or chromed front panel

Note:

BLE Converter to be ordered separately for connection via Service APP.

The CNX Converter must be ordered separately for integration into the CNX water management system.



S10 urinal flush control, siphon regulator – fully fitted kit

Touch-free, invisible, inaccessible, electronically controlled urinal flush control for installation behind the urinal ceramic (not included in the standard delivery).

Includes electronics and siphon:

- Siphon with DN50 outlet for flush volume (urinal): 2 – 8 l/min
- Installed out of sight behind the urinal
- Volumes are measured at the siphon to prevent contamination of the sensors
- The sensitivity can be automatically adjusted according to the conditions at the place of use
- All functions preset at the factory
- Flush duration can be set directly on the electronic module
- Forced flushing: 24 hours after the last use
- Overflow protection: in the event of total or partial blockages
- Stadium mode: frequent use triggers 1 flush per minute
- Standard mode: flushing approx. 10 seconds after end of use
- Shut-off device, strainer prefitted in U3S installation box
- 1x 6 V/DC solenoid valve cartridge (included in the standard delivery)
- Variable installation in combination with installation kits (U3S, U2S) (not included in the standard delivery)
- Do not use on stainless steel basins!



Type: mains | 230 V

Description	Order number
S10 siphon regulator with siphon (2 – 8 l)	230.010.00

Required accessories	Order number
Framing kit U3S	230.022.00



Technical data

Connection voltage (mains) 230 V (transformer integrated into electronics unit)

Triggering time (approx.):	10 s after use
Flush duration (approx.):	Preset to 7 s (adjustable from 1–14 s)
Operating pressure:	0.3–10 bar
Flow rate (approx.):	20 l/min (3 bar)
Standard:	DIN EN 200; CE



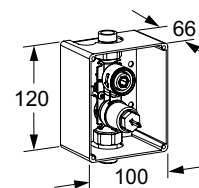
This illustrated example shows urinal with urinal flush control S10

Accessories

U3L urinal framing kit for U18, U28, U10 concealed urinal flush control

Framing kit for conventional pre-assembly for U18, U28, U10 concealed urinal flush valves – fully fitted kit.

- Concealed installation box, valve body with integral shut-off device and strainer, flush-connector



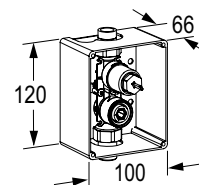
Description	Order number
Urinal framing kit U3L	220.022.00

U3S urinal framing kit for S10 siphon urinal flush control

Framing kit for conventional pre-assembly for S10 siphon regulator – fully fitted kit.

- Concealed installation box, valve body with integral stop valve and flush-connector

Operating pressure:	0.3–10 bar
Flow rate (approx.):	20 l/min (3 bar)
Strainer:	0.5 mm mesh width
Standard:	DIN EN 200; CE



Description	Order number
Urinal Framing kit U3S	230.022.00

Accessories

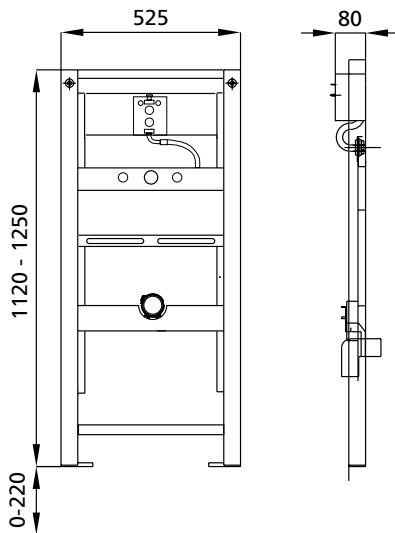


U2L urinal installation system, for U10, U18, U28 concealed urinal flush control (installation kit)

Urinal installation box with integral stop valve, drain pipe and protection covers. Can be used for installation in a stud wall partition in accordance with DIN 18183 or in conjunction with a wall bracket (accessory) as a single element in pre-wall installation.

- Galvanised, self-supporting and sound insulated steel structure
- Adjustable urinal fixing crossbar
- Adjustable, sound insulated water supply crossbar
- Adjustable drain crossbar; swivelling HT drain pipe DN 50
- Protective cover for inspection opening; fixing hardware included
- Installation accessory for element and urinal
- Adjustable base support 0 - 280 mm
- Prefitted U3L installation box for U10, U18, U28 concealed urinal flush valves
- Suitable for almost all standard urinals, except for those with a moulded suction siphon
- Mounting plate for variable urinal mounting
- Flexible water inlet; without suction fitting
- Suitable for all standard urinals

Standard: C €



Description	Material	Order number
U2L urinal installation system, for U10, U18, U28 concealed urinal flush control (installation kit)	Galvanised steel structure	220.025.00
Wall bracket installation system for drywall	Plastic/metal	200.031.00

lino U60 exposed urinal flush valve, with IR sensor

Touch-free, electronic urinal flush valve for simple exposed installation without electrical wiring:

- Robust brass housing, polished
- Digital microelectronics with processor (waterproof sealed)
- Dynamic IR sensor: continually adjusts the optimum range
- If designed with solar operation: battery life of up to 8 years
- Functionally reliable ROBUST solenoid valve (with low water pressure protection)
- "Temporary off" function (cleaning) and "short on" function (flushing), can be activated with click
- Flush duration and sensor sensitivity, adjustable with click
- 24-hour forced flushing and pre-flushing, activated with click
- Stop valve with dirt filter and collar
- Flush pipe and cover collar (185 mm) with urinal connector

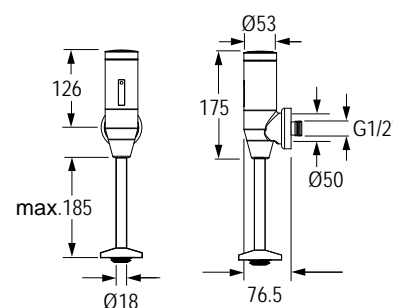


 **Type: battery** | 6 V lithium battery CRP2

Description	Order number
lino U60 exposed urinal flush valve, with IR sensor	220.100.11

 **Type: solar** | Photovoltaic cell in combination with 6 V lithium CRP2

Description	Order number
lino U60 exposed urinal flush valve, with IR sensor and solar operation	220.108.11



Technical data

Connection voltage (battery): 6 V lithium CRP2 - commercially available
 Solar: Photovoltaic cell in combination with 6 V Lithium CRP2 batterie (backup batterie) – commercially available; service life of up to 6 years

Operating pressure: 0.3–10 bar
 Flow rate (approx.): 25 l/min (3 bar)
 Strainer: 0.5 mm mesh width
 Flush pipe: Diameter 18 mm
 Sensor sensitivity: Continuous automatic self-calibration
 Flush duration (approx.): Preset to 7 s (adjustable from 2 to 30 s)
 Temporary off function (approx.): 2 min (fixed)
 Residence time (approx.): 10 s (fixed)
 Standard: DIN EN 200; **CE**



lino U55 urinal flush valve, with IR sensor, conversion kit for concealed flush valve

For concealed flush valve for Grohe/Dal wall mounted urinal flush valve 37017 (505) and 509.

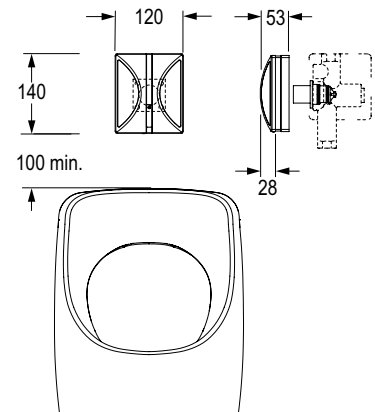
Touch-free, electronic urinal flush valve without electrical wiring for easy conversion of manually operated concealed flush valve.

- Robust faucet, metal front panel
- Dual infrared sensor technology (fully automatic adjustment), microprocessor electronics
- Dynamic IR sensor: continually adjusts the optimum range
- "Temporary off" function (cleaning) and "short on" function (flushing) (can be activated with click)
- Flush duration and sensor sensitivity (adjustable with click)
- 24-hour forced flushing and pre-flushing, activated with click
- Suitable for Grohe 37017 concealed urinal flush valves manufactured until 2009 – Skate, Surf, stainless steel and other models (see illustration)



 **Type: battery** | 6 V lithium battery CRP2

Description	Colour	Order number
lino U55 urinal flush valve, conversion kit	Plate: Chrome / Window: White	220.200.13

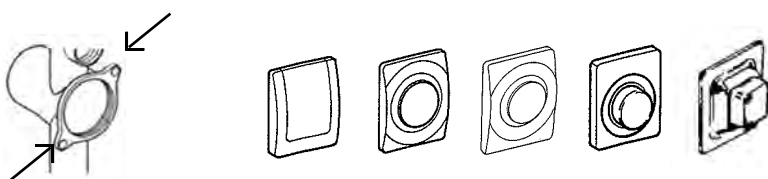


Technical data

Connection voltage (battery):	6 V lithium CRP2 - commercially available
Operating pressure:	0.3–10 bar
Flow rate (approx.):	20 l/min (3 bar)
Strainer:	0.5 mm mesh width
Sensor sensitivity:	Continuous automatic self-calibration
Flush duration (approx.):	Preset to 7 s (adjustable from 2 to 30 s)
Temporary off function (approx.):	2 min (fixed)
Residence time (approx.):	10 s (fixed)
Standard:	DIN EN 200; CE
Dimensions (WxHxD):	120x140x53 mm



Suitable for Grohe / DAL valve bodies up to 2009, e.g. Skate, Surf, stainless steel, "historical" models.



Stainless steel concealed urinal flush valve conversion kits, universal, IR sensor

Universal conversion of existing systems to electronic CONTI+ urinal flush valves with touch-free control via IR sensor.

- Universal cover plate for continued use of the existing concealed unit
- Cover plate: 1.4404 stainless steel, surface: satin

Typ options

Dimensions (WxHxD): 175x190x1.5 mm or
 Dimensions (WxHxD): 205x225x1.5 mm

Note

Connections and hydraulic components are not included in the scope of delivery. Customised design required.

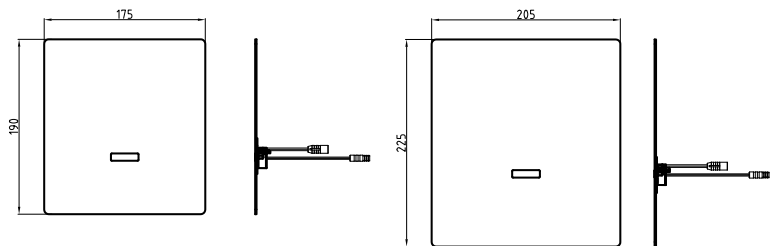


Fixed in place using countersunk screws

- Cover plate installed with countersunk screws (included in the standard delivery)
- Customer positioning of drilling holes

Includes:

- Cover plate with IR sensor electronics
- Mounting screws



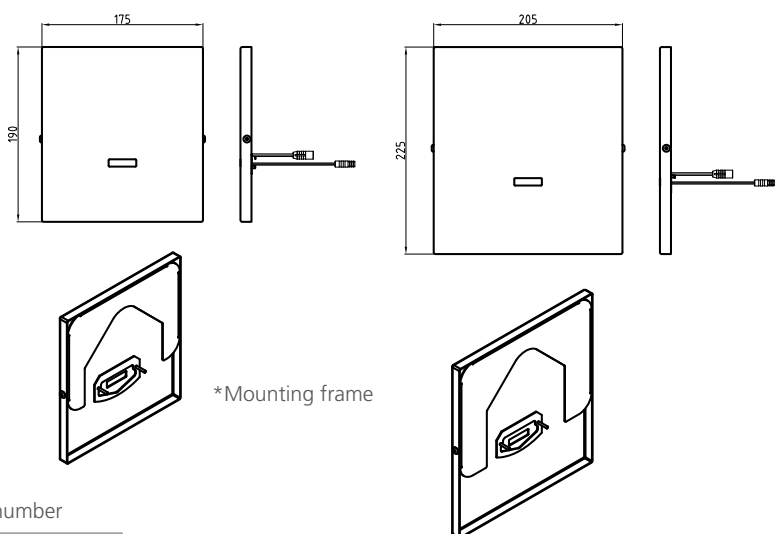
Description	Dimensions (WxHxD)	Order number
Conversion kit for concealed urinal flush valves	175x190x1.5 mm	CONS13951410190
	205x225x1.5 mm	CONS13951410225

U20, for screwing or gluing into place

- Cover plate installed with angular frame fixing for screwing or gluing into place

Includes:

- Cover plate with IR sensor electronics
- Mounting frame*



Description	Dimensions (WxHxD)	Order number
Conversion kit for concealed urinal flush valves	175x190x1.5 mm	CONS13951420190
	205x225x1.5 mm (U20)	CONS13951420225

Urinal retrofitting sets

Urinal flush valve conversion kit 55–68

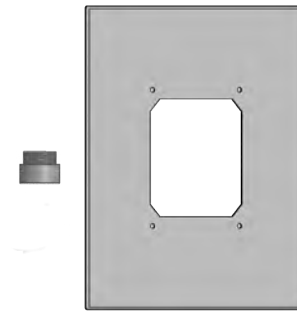
Universal conversion of flush valves with 55 or 68 mm water inlet lengths to electronic, touch-free CONTI+ U18 and U28 sensor urinal flush valves.

- Universal cover plate for continued use of the existing framing kit for wall mounting.

Includes:

- Adaptor: brass, 23 mm, O-ring seal, water inlet, internal thread/external thread 3/4
- Cover plate: 1.4301 stainless steel, surface: satin

Dimensions (WxHxD): 245x225x5 mm
245x225x5 mm with seal, on-site fixing

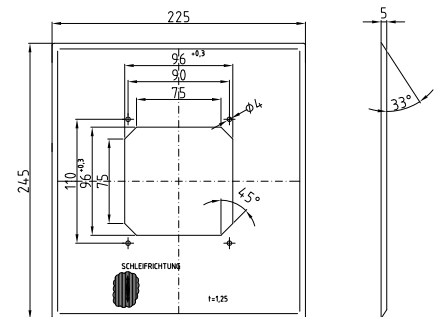


Description


Urinal flush valve conversion kit, 55 – 68

Order number

CONS1155100000





A person wearing a white lab coat is shown from the side, leaning over a table. They are using a dark green pen to mark a technical drawing or blueprint. The drawing features various lines, rectangles, and some text, including the word 'CONNECTION'. A ruler is visible at the bottom right of the page. The background is a soft, out-of-focus light blue and white.

Accessories for washbasin and urinal faucets

Installation examples.....	240
Single / multiple installation	242
Battery exchange kits.....	244
Splitter for multiple installation	246
Installation cable.....	246
Accessories CONGENIAL FIT wall faucets	247
Conversion kits.....	248
S connections	248
Aerators	248
Microfibre cloth	249
Multifunctional tool	249

Installation examples

Single / multiple installation

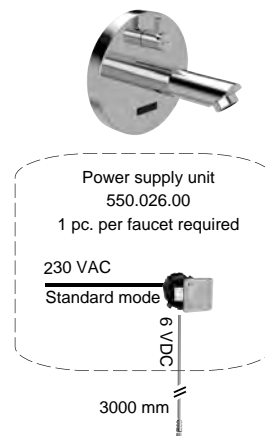
CONTI+ installation examples - Faucets with VARIOconnect for combination with power supply units

Our extended portfolio offers product solutions including matching accessories to simplify on-site installations. There are various connection options for washbasin and wall-mounted faucets in the VARIOconnect version.

To help you plan the accessories and demonstrate the installation options, we have summarised these in simple diagrams – whether for single or multiple installations, the CONTI+ accessories are the perfect choice.

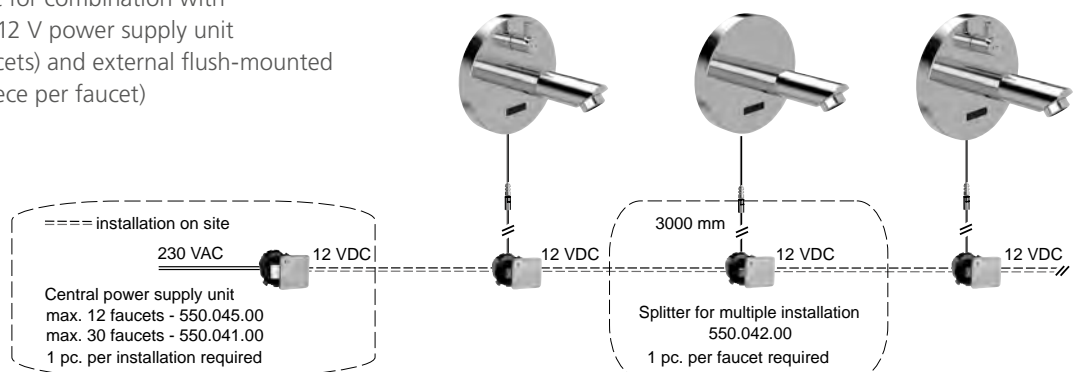
Single installation lino concealed wall faucet

with VARIOconnect for combination with power supply with 6 V power supply unit (1 piece per faucet)



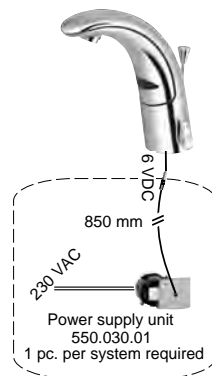
Multiple installation lino concealed wall mounted faucet

with VARIOconnect for combination with Power supply with 12 V power supply unit (up to 12 or 30 faucets) and external flush-mounted distributor set (1 piece per faucet)

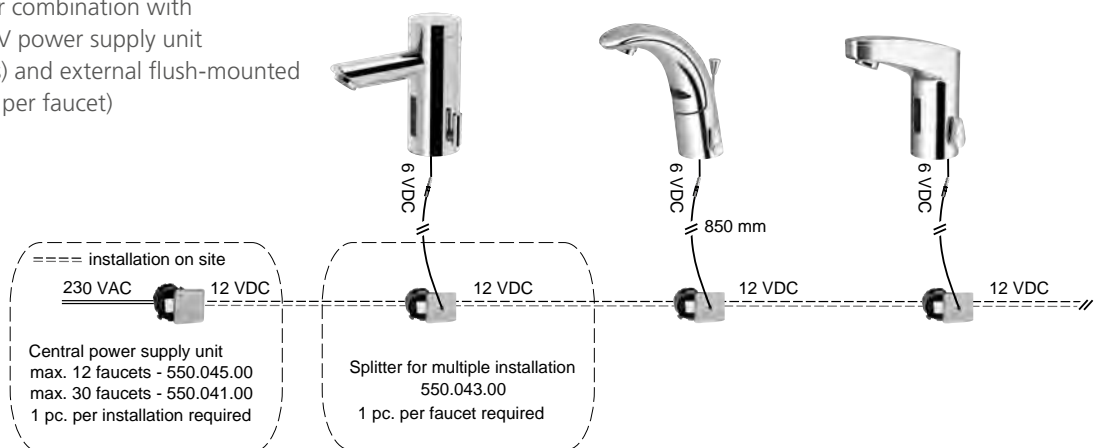




Single installation washbasin faucets
 with VARIOconnect for combination with
 power supply with 6 V power supply unit
 (1 piece per faucet)



Multiple installation washbasin faucets
 with VARIOconnect for combination with
 power supply with 12 V power supply unit
 (up to 12 or 30 faucets) and external flush-mounted
 distributor set (1 piece per faucet)



Concealed mains receivers for multiple installation for faucets with VARIOconnect



Concealed mains receiver, for up to 30 faucets

Suitable for:

- All washbasin faucets with VARIOconnect in multiple installations **of up to 30 faucets (except for lumino L10i and L10c)**
- Urinal flush valves with VARIOconnect (**U10, U18, U28**)
- Exclusively for use with concealed splitters 550.042.00, 550.043.00 and 550.044.00

Includes:

- Concealed power supply unit 230 V / 12 V with installation box and white cover plate
- 3000 mm installation cable with plug-in connector for faucets



Description	Voltage	Order number
Concealed mains receiver with concealed outlet	230 V / 12 V	550.041.00

Concealed mains receiver, for up to 12 faucets

Suitable for:

- All washbasin faucets with VARIOconnect in multiple installations **of up to 12 faucets (except for lumino L10i and L10c)**
- Urinal flush valves with VARIOconnect (**U10, U18, U28**)
- Exclusively for use with concealed splitters 550.042.00, 550.043.00 and 550.044.00 (**except for CONPRIMUS**)

Includes:

- Concealed power supply unit 230 V / 12 V with installation box and white cover plate
- 3000 mm installation cable with plug-in connector for faucets



Description	Voltage	Order number
Concealed mains receiver with concealed outlet	230 V / 12 V	550.045.00

Concealed power supply unit for individual installation



- For **lino washbasin faucets WV10 / WV20 / A50 / GW20** with VARIOconnect

Includes:

- Concealed power supply unit 230 V / 12 V
- With installation box and white cover
- 3000 mm installation cable with plug-in connector for faucets



Description	Voltage	Order number
Concealed power supply unit with concealed outlet	230 V / 6 V	550.026.00

Power supply units for individual installation for faucets with VARIOconnect

Concealed power supply unit for individual installation

Suitable for all washbasin faucets with VARIOconnect



Includes:

- Concealed power supply unit 230 V / 6 V
- Concealed socket for masonry
- With white cover and waterproof cable grommet

Description	Voltage	Order number
Concealed power supply unit with exposed outlet	230 V / 6 V	550.030.01



Twin plug-in power supply unit



Power supply unit 230 V / 6 V with socket for additional electrical devices drawing up to max. 10 A for all washbasin faucets **(except for lumino L10i and L10c)** with VARIOconnect.

Description	Voltage	Order number
Twin plug-in power supply unit	230 V / 6 V	550.031.00



Single plug-in power supply unit



Power supply unit 230 V / 6 V, suitable for all washbasin faucets with VARIOconnect and a fixed plug.

Description	Voltage	Order number
Single plug-in power supply unit	230 V / 6 V	CONZ8955032



Battery exchange kits



Battery exchange kit 2CR5

For models: A10, A20, A30, U20, U40, U50, U51.

- Battery (6 V Lithium 2CR5 / DL 245)

Description	Order number
Battery exchange kit 2CR5	CONZ8955003



Battery exchange kit CRP2

For models: 2in1, A50, D10, G10, G20, G30, K10, K20, K30, L10, L20, L30, L15, L15P, L25, L25P, M10, M20, U10, U18, U28, U60, U55, W10, W30, W35, W45, WV10, WV20, H10.

- Battery (6 V lithium CRP2 / DL 223 A)

Description	Order number
Battery exchange kit CRP2	CONZ8955004



Battery exchange kit CRP2, waterproof sheath

For all VARIOconnect models as well as D30, D35, DV30, DV35.

- Battery, waterproof sheath (6 V lithium CRP2 / DL 223 A)

Description	Order number
Battery exchange kit, waterproof sheath	CONO560006

Battery box



Battery box including battery, waterproof

For all VARIOconnect models as well as G10, G20.

NOT suitable for ultra GS!!

Description	Order number
Battery box including battery, waterproof	CONZ8955006

Splitter for multiple installation for faucets with VARIOconnect



Concealed splitter set for multiple installation with concealed outlet

- Exclusively for use with concealed mains receivers for multiple installation (550.041.00 or 550.045.00)
- Unsuitable for lumino L10i and L10c
- One splitter set required per connected faucet

Includes:

- Concealed socket with white cover
- Splitter for voltage range 12 V/AC / V/DC – 28 V/AC / V/DC
- Three connection terminals (1 x input, 1 x output looped, 1 x 6 V outlet)
- 3000 mm installation cable with plug-in connector for faucets



Description	Order number
-------------	--------------

Concealed splitter set for multiple installation with concealed outlet	550.042.00
--	-------------------



Concealed splitter set for multiple installation with exposed outlet

- Exclusively for use with concealed mains receivers for multiple installation (550.041.00 or 550.045.00)
- Unsuitable for lumino L10i and L10c
- One splitter set required per connected faucet

Includes:

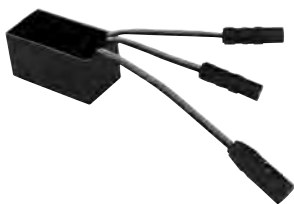
- Concealed socket with white cover and cable grommet
- Splitter for voltage range 12 V/AC / V/DC – 28 V/AC / V/DC
- Three connection terminals (1 x input, 1 x output looped, 1 x 6 V outlet)
- 850 mm installation cable, fed through the cover, with plug-in connector for faucets



Description	Order number
-------------	--------------

Concealed splitter set for multiple installation with exposed outlet	550.043.00
--	-------------------

Splitter for multiple installation for faucets with VARIOconnect



Concealed splitter for multiple installations

Suitable for:

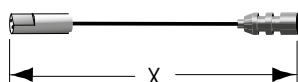
- All washbasin faucets (**except for lumino L10i and L10c**) and concealed shower systems as well as U10, U18, U28 urinal flush valves with VARIOconnect
- Exclusively for use with concealed mains receivers for multiple installation (550.041.00 or 550.045.00)
- One splitter required per connected faucet and bypass solenoid valve

Kit includes:

- Splitter for voltage range 12 VAC/VDC – 28 VAC/VDC
- Three connection terminals (60 mm)

Description	Order number
Concealed splitter set	550.044.00

Installation cable for multiple installation

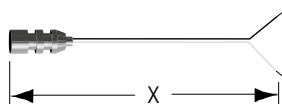


Installation cable for multiple installation, 300 mm / 1200 mm / 3200 mm

Sheathed with additional insulation, consisting of:

- 1 x 8 mm plug, waterproof (female)
- 1 x 8 mm plug, waterproof (male)

Description	Length (x)	Order number
Installation cable	300 mm	CONZ8939126
	1200 mm	550.037.12
	3200 mm	550.037.32



Installation cable for multiple installations with wires, 3000 mm

Sheathed with additional insulation, consisting of:

- 1 x 8 mm plug (female)
- 1 x tin plated wires

Description	Length (x)	Order number
Installation cable with wires	3000 mm	550.046.30

Special flush-connector in accordance with DIN 1988 – suitable for HANSAVAROX U3V basic unit



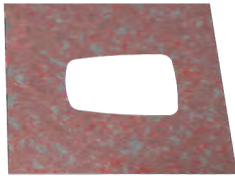
The special flush-connector (accessory) is used for flushing with:

- lino WV10 / WV20 concealed washbasin faucets (essential for flushing)

Norm: **CE**

Description	Order number
Special flush-connector	550.024.00

Accessories for CONGENIAL FIT concealed wall mounted faucet



CONBOX FIT framing kit for concealed wall mounted faucet, DN15

Framing kit for **electronic wall mounted faucets** based on the **CONGENIAL** adaptive multifunctional water inlet, with thermostat, designed as a faucet with DN15 nominal diameter. For new build and refurbishment projects in public, semi-public and commercial washrooms.

Includes:

- CONBOX FIT concealed box
- Recessed wall mounting enclosure: ABS, dimensions (min. WxHxD): 216x157x127 mm, self-supporting
- Mounting straps for on-site fixing hardware with max. 6 mm diameter
- Condensation drain slope
- Sealed and sound insulated brass inlets and outlets, inlets with R 1/2 line stop valves
- Detachable fittings for replacing the flushing unit on the water inlet
- Mounting depth with fully fitted kit: 85–112 mm
- Flushing unit: ABS, in accordance with DIN 1988-2 / DIN EN 806-2, waterless and hygienically checked for leaks
- Protective cover: cardboard
- Sealing collar: PE, dimensions (WxH): 400x400 mm, with flexible expansion zone as per DIN 18534-3

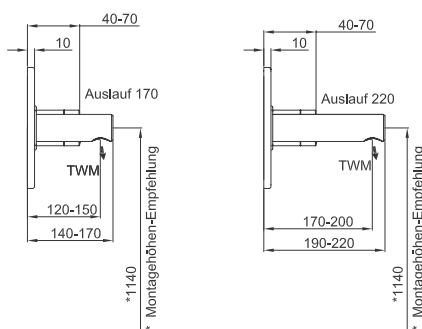
Description	Order number
CONBOX FIT framing kit for concealed wall mounted faucet	CONR5112

Spout 170 mm, chrome plated



For CONGENIAL FIT concealed wall mounted faucet and CONGENIAL multiple faucet assembly kits.

- Length: 170 mm
- Diameter: 38 mm
- Material: chrome plated brass
- Flow rate controller 5 l



Description	Order number
Spout 170 mm	CONO820170

Spout 220 mm, chrome plated



For CONGENIAL FIT concealed wall mounted faucet and CONGENIAL multiple faucet assembly kits.

- Length: 220 mm
- Diameter: 38 mm
- Material: chrome plated brass
- Flow rate controller 5 l

Description	Order number
Spout 220 mm	CONO820220

Aerators



Flex aerator with M24x1 external thread

- Can be swivelled

Adjustment angle: $\pm 7^\circ$
Flow rate: 6 l/min

Description	Colour	Order number
Flex aerator	Chrome	550.005.11



Aerator, external thread M24x1, theft-proof

- Theft-proof, chromed

In combination with:
CONM3364200000 CONWASH wash basin automatic shut-off faucet

Connection: AG M24x1
Flow rate: 0,12 l/s (3 bar)
Water temperature (max.): 90 °C

Description	Colour	Order number
Aerator AG M24x1	Chrome	CONO810000

Conversion kit



Temperature control conversion kit with fixed temperature limit at 42 °C

- incl. anchor ring 42 °C

Description	Version	Order number
Temperature control conversion kit	for W35/W45 models	CONZ8139729
	for K30 model	550.067.11

S connections



1 set of S connections with collars, chrome plated

- DN15, G 3/4 x G 1/2
- Wrench size 2.5 / 10 mm eccentric
- Complete with collar
- 2 pieces

Description	Colour	Order number
S connection with shut-off	Chrome	550.016.11

Cleaning product



Grey microfibre cloth

Soft microfibre cloth for professional use, with velvety surface for slightly textured, smooth and sensitive surfaces, highly suitable for cleaning stainless steel, chrome, aluminium, faucets and painted surfaces, can be washed at up to 95 °C.

Description	Dimensions	Order number
Microfibre cloth	approx. 400x400 mm	CONO690200

Multifunctional tool



Multifunctional tool for maintenance work of CONTI+ faucets

Includes:

- 1 hook wrench 38 mm
- 1 hexagon key, wrench size 3x36x16.5
- 1 adjustable face wrench
- 1 face screwdriver with handle
- 1 hexagon screwdriver, wrench size 2x100
- 1 hexagon screwdriver, wrench size 2.5x100
- 1 hexagon screwdriver, wrench size 3x100
- 1 hexagon screwdriver, wrench size 6x160
- 1 allen key, wrench size 4x140x28
- 1 microfibre cloth
- 1 tool belt

Description	Order number
Multifunctional tool for maintenance work of CONTI+ faucets	CONO690300





Sanitary equipment

Sanitary equipment at a glance 252

SteelTec design series

Hand dryers 254
Paper towel dispensers..... 255
Dispensers soap | disinfectant 256
Toilet paper holders..... 257
Hygiene /waste bins..... 259
Diaper changing table..... 262
Paper towel dispenser 262

BJÖRK design series

Hand dryer..... 264
Paper towel dispenser 264
Dispensers soap | disinfectant 265
Toilet paper holders..... 266
Hygiene /waste bins..... 267
Diaper changing table..... 268
Paper towel dispenser 268

Accessories SteelTec | BJÖRK

Drip tray 269
Table/floor stands..... 270
Supply transformers for dispenser systems 271

TAP design series

Hand dryers 272
Dispensers soap | disinfectant 273

Stainless steel equipment

Hand and hair dryers..... 274
Hygiene /waste bins..... 278
Hygienic bag dispensers 279
Paper towel dispensers..... 280
Dispensers soap | disinfectant..... 281

Washbasins..... 287
Wash troughs 290
Laboratory sink 292
Utility sink..... 292

CONTI+ Sanitary equipment

All at a glance



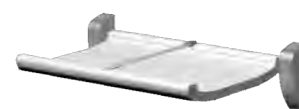
SteelTec design series

- Touch-free and manual soap and disinfectant dispensers
- Touch-free hand dryers in different sizes & designs
- Paper towel dispenser
- Waste bins
- Wall mounted and battery operation (optional mains connection)
- Stainless steel matt and vandal-proof
- RAL Classic colours available



SteelTec design series

- Toilet roll holder for 1– 4 standard paper rolls or maxi paper rolls
- Waste bins
- Sanitary bins
- Wall mounting
- Stainless steel matt and vandal-proof
- RAL Classic colours available



SteelTec design series changing table

- Safety changing table with a load capacity of up to 400 kg
- Safety belt and rounded edges for optimum safety
- Folds up to save space
- Matching paper holders and paper rolls
- Wall mounted and vandal-proof
- Aluminium profile white
- RAL Classic colours available



TAP design series

- Touch-free soap and disinfectant dispensers
- Touch-free hand dryers
- Washbasin or wall mounting
- IR sensor and electronic timer
- Stainless steel with satin finish



Hand dryers equipment

- Manual hand and hair dryer in 4 mm die-cast aluminium, white
- Touch-free hand dryers in various designs, types and materials/colours
- IR sensor
- Wall mounting or installation behind mirror/cabinet
- Stainless steel, white, some also available in RAL Classic colors



Hygiene equipment

- Wall-mounted paper towel dispenser, for installation in the washbasin or behind the mirror
- Concealed combination sanitary/waste bin with hygiene bag
- Sanitary/waste bag dispenser wall mounted
- Stainless steel matt and vandal-proof
- Stainless steel mesh box



BJÖRK design series

- Touch-free and manual soap and disinfectant dispensers
- Touch-free hand dryers
- Paper towel dispenser
- Waste bins
- Wall mounting with locking mechanism and universal key
- Powder coated stainless steel in matt black, white and RAL Classic



BJÖRK design series

- Toilet roll holder for standard paper rolls or jumbo paper rolls
- Waste bins
- Sanitary bins
- Changing table with load capacity 80 kg, with rounded corners, matching paper dispenser and changing mat
- Powder coated stainless steel in matt black, white and RAL Classic



Table/floor stands

- For mounting disinfectant dispensers SteelTec and BJÖRK
- With and without drip tray
- Mobile, for installation at highly frequented locations or entrances
- Made of steel and aluminium painted in matt black, white or RAL Classic



Various dispenser equipment

- Electronic, touch-free soap dispenser and disinfectant dispenser, wall mounting
- Manual soap and disinfectant dispensers, wall mounting
- Washbasin soap dispenser, chrome-plated
- Wall soap dispenser matt stainless steel
- Battery operated (electronic)
- Different designs and materials / colours



SteelTec wash basins & wash troughs

- Washbasin with hygienic edge and deep basin
- Wall mounted sinks, various shapes and oval moulded basins
- Round built-in basin for table installation
- Seamless pressed washing trough Fjord
- Wall mounting or table installation
- AISI 304 / 1.4301 stainless steel



SteelTec laboratory & utility sinks

- Laboratory & utility sinks in various designs
- With rear panel
- With space saving odour trap
- With or without grill
- Wall mounting
- Stainless steel, matt

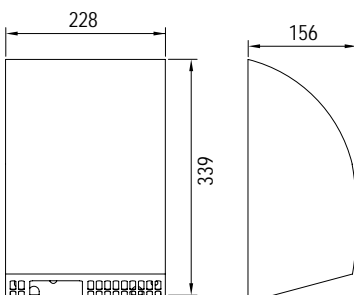
SteelTec DESIGN hand dryer



SteelTec DESIGN hand dryer MINI with IR Sensor

Touch-free hand dryer with housing made of 1.5 mm brushed stainless steel, IR sensor and electronic time switch.

- For wall mounting
- Drying time: approx. 30 s
- Virtually maintenance-free
- With induction motor
- Adjustable activation distance
- Lock to protect against vandalism
- Adjustable air speed
- Additionally available in all RAL Classic colours



Net weight: 6 kg
 Dimensions (WxHxD): 228x339x156 mm
 Rated output: 1800 W
 Noise level: 64 dBA
 Air outlet temperature (max.): 55 °C
 IP protection: IP21

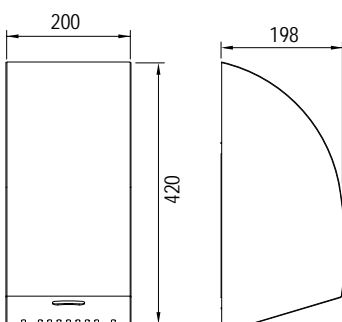
Description	Material/colour	Order number
SteelTec DESIGN hand dryer MINI	Stainless steel, matt	CONT21200810281



SteelTec DESIGN hand dryer TURBO with IR Sensor

Touch-free hand dryer with housing made of 1.5 mm brushed stainless steel, IR sensor and electronic time switch.

- For wall mounting
- Drying time: approx. 10 – 15 s
- Powerful commutator motor
- Adjustable activation distance
- Lock to protect against vandalism
- Adjustable air speed
- Additionally available in all RAL Classic colours



Net weight: 6.9 kg
 Dimensions (WxHxD): 200x420x198 mm
 Rated output: 1600 W
 Noise level: 78 dBA
 Air outlet temperature (max.): 60 °C
 IP protection: IPX1

Description	Material/colour	Order number
SteelTec DESIGN hand dryer TURBO	Stainless steel, matt	CONT21200810288

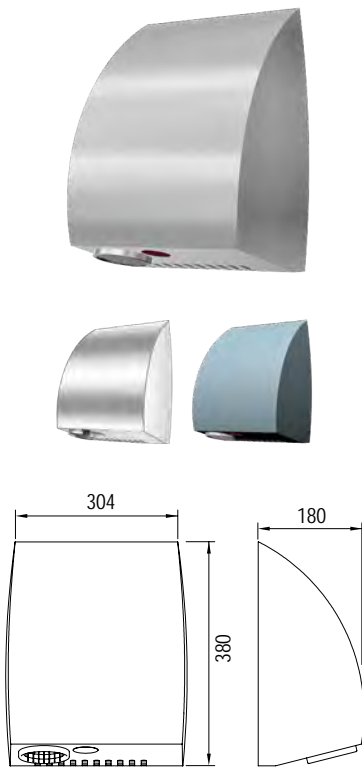
SteelTec DESIGN hand dryer AE with IR Sensor

Touch-free hand dryer with housing made of 1.5 mm brushed stainless steel, IR sensor and electronic time switch.

- For wall mounting
- Drying time: approx. 20 – 25 s
- Virtually maintenance-free
- With induction motor
- 90 % recyclable
- Adjustable air speed
- Available in all RAL Classic colours

Net weight: 7.65 kg
 Dimensions (WxHxD): 304x380x180 mm
 Rated output: 2360 W
 Noise level: 62 dBA
 Air outlet temperature (max.): 65 °C
 IP protection: IP23

Note: RAL Classic colours, please indicate gloss level



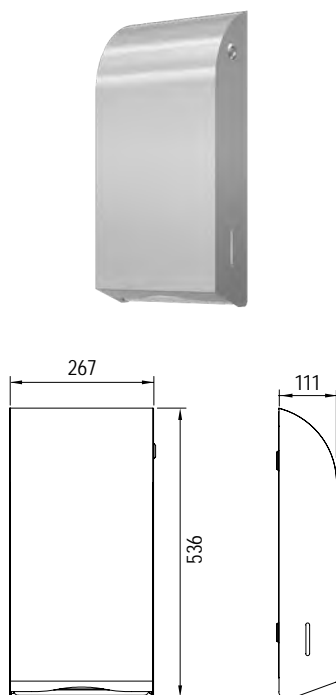
Description	Material/colour	Order number
SteelTec DESIGN hand dryer AE	Stainless steel, matt	CONT21200810280
	Stainless steel, polished	CONT21100810290
	RAL Classic colour	CONT21900810291

SteelTec DESIGN paper towel dispenser

Paper towel dispenser made of 1.5 mm brushed stainless steel. 2-ply Z/C fold paper towels (max. 95x250 mm).

- For wall mounting
- Lock to protect against vandalism
- Additionally available in all RAL Classic colours

Net weight: 5 kg
 Dimensions (WxHxD): 267x536x111 mm
 Open (WxHxD): 267x536x460 mm
 Capacity: 400 paper towels



Description	Material/colour	Order number
SteelTec DESIGN paper towel dispenser	Stainless steel, matt	CONT16200710286

SteelTec DESIGN dispenser

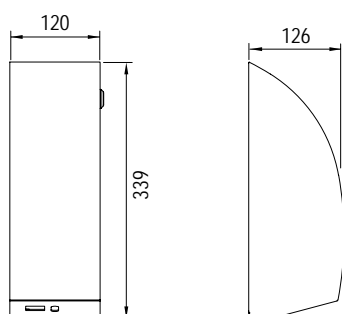


SteelTec DESIGN dispenser, touch-free

Touch-free dispenser for liquid soap / disinfectant or foam soap made of 1.5 mm AISI 304 brushed stainless steel.

- For wall mounting
- Refill container
- Battery operation (batteries not included in the standard delivery); optional mains connection
- Automatic adjustment of the activation distance
- With LED light to indicate operation
- Lock to protect against vandalism
- Additionally available in all RAL Classic colours

Net weight: 2.5 kg
 Dimensions (WxHxD): 120x339x126 mm
 Open (WxHxD): 120x340x350 mm



Suitable drip trays, table or floor stands from page 269.

Description	Capacity	Order number
Liquid soap / disinfectant	950 ml	CONT17200810282
Foam soap	800 ml	CONT17200810295

Note:

Disinfectant dispensers should only be operated with ready-to-use disinfectant solution; if necessary, a mixture of concentrate with drinking water or distilled water can be prepared in the container.

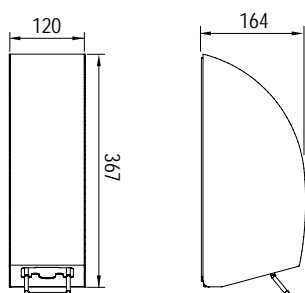


SteelTec DESIGN dispenser, manual

Manually operated dispenser for liquid soap, foam soap or disinfectant made of 1.5 mm AISI 304 brushed stainless steel.

- For wall mounting
- 1000 – 1200 doses
- Lock to protect against vandalism
- Additionally available in all RAL Classic colours

Net weight: 2.75 kg
 Dimensions (WxHxD): 120x367x164 mm
 Open (WxHxD): 120x367x363 mm



Description	Capacity	Order number
Liquid soap	1200 ml	CONT17200710296
Disinfectant	1200 ml	CONT17200710297
Foam soap	1200 ml	CONT17200710298

SteelTec DESIGN toilet paper holder



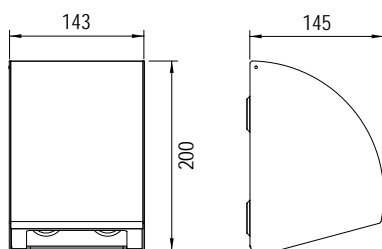
Toilet paper holder for 1 standard paper roll

Toilet paper holder made of 1.5 mm AISI 304 brushed stainless steel.

- For wall mounting
- Easy access when replacing paper rolls
- Additionally available in all RAL Classic colours

Net weight: 2 kg
 Dimensions (WxHxD): 143x200x145 mm
 Open (WxHxD): 143x200x200 mm

Description	Capacity	Order number
SteelTec DESIGN toilet paper holder	1 standard paper roll	CONT13200710277



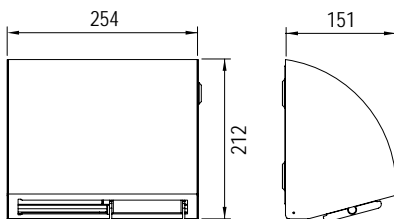
Toilet paper holder for 2 standard paper rolls

Toilet paper holder made of 1.5 mm AISI 304 brushed stainless steel.

- For wall mounting
- Easy access when replacing paper rolls
- Additionally available in all RAL Classic colours

Net weight: 3.15 kg
 Dimensions (WxHxD): 254x212x151 mm
 Open (WxHxD): 254x212x220 mm

Description	Capacity	Order number
SteelTec DESIGN toilet paper holder	2 standard paper rolls	CONT13200710278



SteelTec DESIGN toilet paper holder

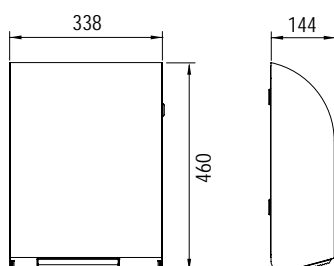


Toilet paper holder for 4 standard paper rolls

Toilet paper holder made of 1.5 mm AISI 304 brushed stainless steel.

- For wall mounting
- Lock to protect against vandalism
- Easy access when replacing paper rolls
- Additionally available in all RAL Classic colours

Net weight: 8 kg
 Dimensions (WxHxD): 338x460x144 mm
 Open (WxHxD): 338x460x435 mm



Description	Capacity	Order number
SteelTec DESIGN toilet paper holder	4 standard paper rolls	CONT13200710285

Toilet paper holder for 1 maxi paper rolls

Toilet paper holder made of 1.5 mm AISI 304 brushed stainless steel.

- For wall mounting
- Lock to protect against vandalism
- Easy access when replacing paper rolls
- Additionally available in all RAL Classic colours

Net weight: 6.5 kg
 Dimensions (WxHxD): 338x460x144 mm
 Open (WxHxD): 338x460x435 mm

Description	Capacity	Order number
SteelTec DESIGN toilet paper holder	1 maxi paper roll	CONT13200710287

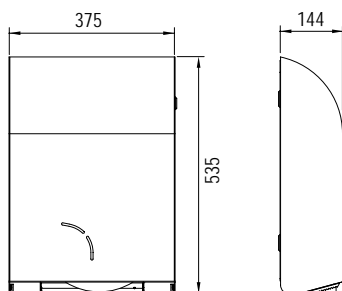


Toilet paper holder for 1 standard and 1 maxi paper roll

Toilet paper holder made of 1.5 mm AISI 304 brushed stainless steel.

- For wall mounting
- Cost effective model with minimal paper waste
- With practical spyhole for easily checking the quantity of paper
- Lock to protect against vandalism
- Additionally available in all RAL Classic colours

Net weight: 9.9 kg
 Dimensions (WxHxD): 375x535x144 mm
 Open (WxHxD): 375x535x506 mm



Description	Capacity	Order number
SteelTec DESIGN toilet paper holder	1 standard and 1 maxi paper roll	CONT13200710289

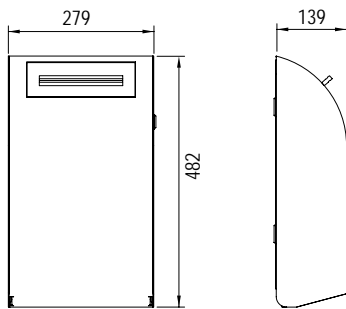
SteelTec DESIGN sanitary bin



Sanitary bin made of 1.5 mm AISI 304 brushed stainless steel.

- For wall mounting
- With hygienic tip-up lid
- Fully welded, rustproof inner bin
- Lock to protect against vandalism
- Additionally available in all RAL Classic colours

Net weight: 7 kg
 Dimensions (WxHxD): 279x482x139 mm
 Open (WxHxD): 279x482x350 mm



Description	Capacity	Order number
SteelTec DESIGN sanitary bin	7 l	CONT18270710283

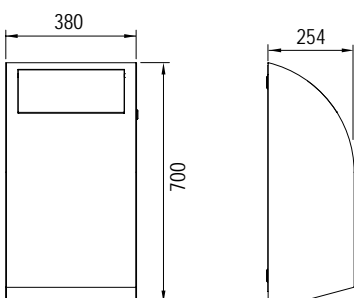
SteelTec DESIGN waste bin



Waste bin made of 1.5 mm AISI 304 brushed stainless steel.

- For wall mounting
- Self-closing swing lid
- Fully welded, rustproof inner bin
- Easy opening/closing using 2 shock absorbers
- Lock to protect against vandalism
- Additionally available in all RAL Classic colours

Net weight: 17.2 kg
 Dimensions (WxHxD): 380x700x254 mm
 Open (WxHxD): 380x700x460 mm



Description	Capacity	Order number
SteelTec DESIGN waste bin	30 l	CONT18270710284



SteelTec DESIGN waste bin

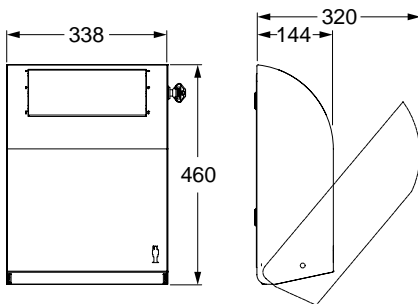


With hinged lid

Waste and sanitary bin made of 1.5 mm AISI 304 brushed stainless steel.

- For wall mounting
- Hinged lid
- Fully welded, rustproof inner bin
- Lock to protect against vandalism
- Additionally available in all RAL Classic colours

Net weight: 8.1 kg
 Dimensions (WxHxD): 338x460x144 mm
 Open (WxHxD): 338x460x320 mm



Description	Capacity	Order number
With hinged lid	11 l	CONT18270710279

With self-closing swing lid

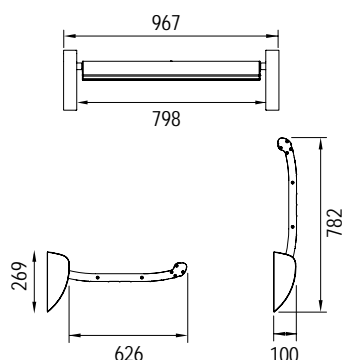
Waste and sanitary bin made of 1.5 mm AISI 304 brushed stainless steel.

- For wall mounting
- Self-closing swing lid
- Fully welded, rustproof inner bin
- Lock to protect against vandalism
- Additionally available in all RAL Classic colours

Net weight: 8.6 kg
 Dimensions (WxHxD): 338x460x144 mm
 Open (WxHxD): 338x460x320 mm

Description	Capacity	Order number
With self-closing swing lid	12 l	CONT18270710294

SteelTec baby changing table



Wall mounted baby changing table with strap. Wall mounting fittings and end flanges, brushed stainless steel. Available with a white aluminium profile as standard. Can also be supplied in all RAL colours.

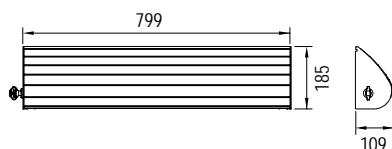
- For wall mounting
- Made of easy-clean materials
- Can be folded up
- Safety strap and rounded edges
- Available in all RAL Classic colours
- Also in various patterns and motifs
- Without fixing hardware

Net weight: 17.1 kg
 Dimensions (WxHxD): 967x782x100 mm
 Open (WxHxD): 967x782x626 mm
 Changing area (L): 526 mm
 W (excl. fitting): 798 mm
 W (incl. fitting): 967 mm
 Load bearing capacity: up to 400 kg

For combining with:
 CONT13200710656 paper roll holder
 CONT13200710655 paper roll holder

Description	Material/colour	Order number
With strap	White aluminium profile	CONT25578710659

SteelTec paper roll holder for baby changing table



Paper roll holder for baby changing table. Available with a white aluminium profile as standard. Can also be supplied in all RAL colours.

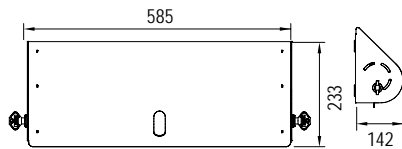
- For wall mounting
- Hygienic solution
- Extremely robust holder with lock
- Suitable for 700x100 mm paper rolls
- Additionally available in all RAL Classic colours

Net weight: 3.5 kg
 Dimensions (WxHxD): 799x185x109 mm

For combining with:
 CONT25578710659 safety changing table

Description	Material/colour	Order number
With lock	Aluminium profile white	CONT13200710656

SteelTec paper roll holder for baby changing table, lock on both sides



Stainless steel paper roll holder. Suitable for most types of paper roll. With a lock at both ends.

- For wall mounting
- Suitable for several types of paper roll
- Lock to protect against vandalism
- Spyholes for checking the quantity of paper
- Easy operation by means of gas spring
- Additionally available in all RAL Classic colours

Net weight: 4 kg
Dimensions (WxHxD): 585x233x142 mm

Description	Material/colour	Order number
Lock on both sides	Stainless steel, matt	CONT13200710655

SteelTec paper rolls with sleeve for changing table



Paper roll with sleeve for paper roll holder from which paper can be torn off in sheets of suitable size for the surface of the wall mounted changing table. The paper can be torn using only one hand, leaving the other hand free to restrain the baby at all times.

- Practical solution for maintaining a clean changing surface
- Optimum hygiene during nappy changes
- Suitable for paper roll holder for safety changing table

Net weight: 2.7 kg
Dimensions (Lenght x Ø): 700x100 mm (50 pieces)
700x100 mm (105 pieces)
500x100 mm (100 pieces)
Colour: White
Weight per m²: 60 g / 41 g / 40 g
Packaging unit: 2 rolls

* Suitable for SteelTec paper roll holder CONT13200710656

** Suitable for SteelTec paper roll holder CONT13200710655

Sheets per roll/Gramm	Version	Order number
50 sheets/60 g per m ²	2 rolls/PU	CONT41000000667**
105 sheets/41 g per m ²	2 rolls/PU	CONT41000000657**
100 sheets/40 g per m ²	2 rolls/PU	CONT41000000668*

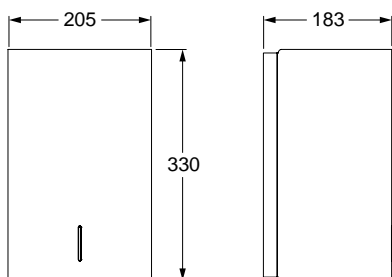
BJÖRK hand dryer, touch-free



Touch-free hand dryer with powder coated stainless steel housing in matt black, white and RAL Classic. Equipped with cover plate**, IR sensor and electronic time switch.

- For wall mounting
- Drying time: approx. 10 – 15 s
- Powerful commutator motor, adjustable air speed
- With LED light to indicate operation
- Adjustable activation distance
- Available in all RAL Classic colours
- Cover plate available in a choice of 6 standard colours

Net weight: 6.5 kg
 Dimensions (WxHxD): 205x330x183 mm
 Rated output: 1600 W
 Noise level: 76 dBA
 Air outlet temperature (max.): 60 °C
 IP protection: IPX1



Description	Colour	Order number
BJÖRK and dryer with IR sensor	Matt black*	CONT21600813006
	White*	CONT21500813000
	RAL Classic*	CONT21900813002

BJÖRK paper towel dispenser, centre pull

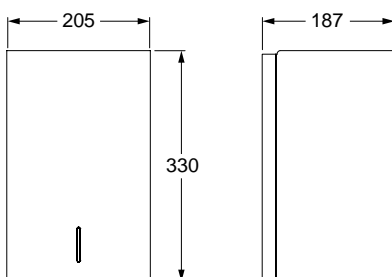


Paper dispenser for centre pull paper rolls. Powder coated stainless steel housing in matt black, white or RAL Classic. Equipped with cover plate**.

- For wall mounting
- Large capacity
- One-handed operation
- Easy replacement of paper roll
- Lock and key system included in the standard delivery
- Available in all RAL Classic colours
- Cover plate available in a choice of 6 standard colours

Net weight: 3.7 kg (without paper roll)
 Dimensions (WxHxD): 205x330x187 mm
 Paper roll ØxH (max.): 150x225 mm

Description	Colour	Order number
BJÖRK Paper dispenser for centre pull paper rolls	Matt black*	CONT16670013275
	White*	CONT16570013270
	RAL Classic*	CONT16970013280



* Colour matt black: Gloss level 10 | Colour white: Gloss level 60 | RAL Classic colours, please indicate gloss level
 ** Products in matt black or white are each supplied with a black or white cover plate as standard, if not indicated otherwise.
 Cover plate available in a choice of 6 standard colours (please specify when ordering): Negro Ingo | Bianco Male | Birke | Eastwood Lava | Natur Beton | Schiefer



BJÖRK dispenser, touch-free

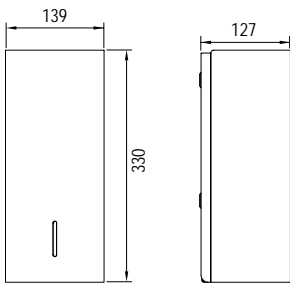


Touch-free dispenser for liquid soap or disinfectant with powder coated stainless steel housing in matt black, white and RAL Classic. Equipped with cover plate** and IR sensor

- For wall mounting
- Capacity: approx. 0.9 l
- Battery operation (batteries not included in the standard delivery); optional mains connection
- With LED light to indicate operation
- Automatic adjustment of the optimum activation distance
- Lock and key system included in the standard delivery
- Available in all RAL Classic colours
- Cover plate available in a choice of 6 standard colours

Net weight: 2.3 kg
 Dimensions (WxHxD) 139x330x127 mm
 Open (WxHxD): 139x330x330 mm
 Capacity: 950 ml

Suitable drip trays, table or floor stands from page 269.



Description	Colour	Order number
BJÖRK dispenser for liquid soap or disinfectant	Matt black*	CONT17600813056
	White*	CONT17500813050
	RAL Classic*	CONT17900813052

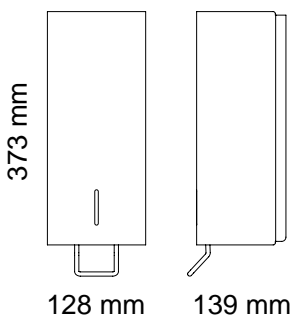
BJÖRK dispenser, manual



Manually operated dispenser for liquid soap, foam soap or disinfectant. Powder coated stainless steel housing in matt black, white and RAL Classic. Equipped with cover plate**.

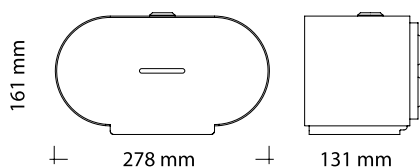
- For wall mounting
- Capacity: approx. 1.2 l (= 1000–1200 doses)
- Lock and key system included in the standard delivery
- Available in all RAL Classic colours
- Cover plate available in a choice of 6 standard colours

Net weight: 2.4 kg
 Dimensions (WxHxD) 128x373x139 mm
 Open (WxHxD): 128x373x330 mm
 Capacity: 1200 ml



Description	Colour	Order number
BJÖRK dispenser for liquid soap	Matt black*	CONT17670013125
	White*	CONT17570013120
	RAL Classic*	CONT17970013130
BJÖRK dispenser for foam soap	Matt black*	CONT17670013165
	White*	CONT17570013160
	RAL Classic*	CONT17970013170
BJÖRK dispenser for disinfectant	Matt black*	CONT17670013145
	White*	CONT17570013140
	RAL Classic*	CONT17970013150

BJÖRK Toilet paper holder



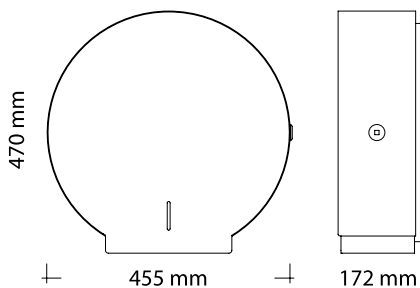
Toilet paper holder for 2 standard paper rolls

Powder coated stainless steel housing in matt black, white or RAL Classic.

- For wall mounting
- Lock and key system included in the standard delivery
- Available in all RAL Classic colours

Net weight: 3 kg
Dimensions (WxHxD): 278x161x131 mm

Description	Colour	Order number
BJÖRK toilet paper holder for 2 standard paper rolls	Matt black*	CONT13600713375
	White*	CONT13500713370
	RAL Classic*	CONT13900713380



Toilet paper holder for 1 jumbo and 1 standard paper roll

Powder coated stainless steel housing in matt black, white or RAL Classic.

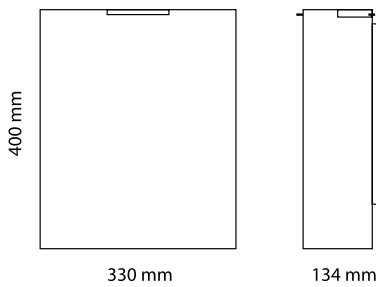
- For wall mounting
- Lock and key system included in the standard delivery
- Available in all RAL Classic colours

Net weight: 8 kg
Dimensions (WxHxD): 455x470x172 mm

Description	Colour	Order number
BJÖRK Toilet paper holder for 1 jumbo and 1 standard paper roll	Matt black*	CONT13600713355
	White*	CONT13500713350
	RAL Classic*	CONT13900713360

* Colour matt black: Gloss level 10 | Colour white: Gloss level 60 | RAL Classic colours, please indicate gloss level

BJÖRK sanitary bin 12 l



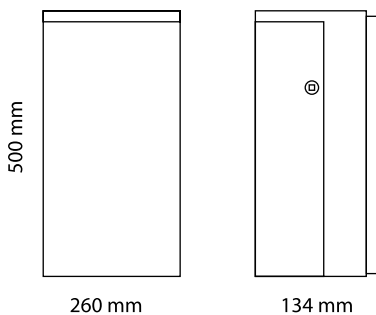
Sanitary bin with powder coated stainless steel housing in matt black, white or RAL Classic.

- For wall mounting
- Capacity: 12 l
- With hinged lid
- Inner, spring-loaded bag holder
- Hygienic and easy replacement of rubbish bag
- Available in all RAL Classic colours

Net weight: 6.2 kg
Dimensions (WxHxD): 330x400x134 mm

Description	Colour	Order number
BJÖRK sanitary bin 12 l	Matt black*	CONT18670013305
	White*	CONT18570013300
	RAL Classic*	CONT18970013310

BJÖRK waste bin 18 l



Large waste bin with powder coated stainless steel housing in matt black, white or RAL Classic.

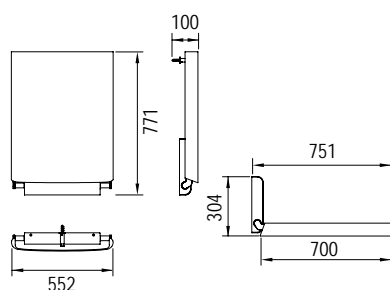
- For wall mounting
- Capacity: 18 l
- Door that opens at the side
- Easy replacement of rubbish bag
- Lock and key system included in the standard delivery
- Available in all RAL Classic colours

Net weight: 7.8 kg
Dimensions (WxHxD): 260x500x241 mm

Description	Colour	Order number
BJÖRK waste bin 18 l	Matt black*	CONT18670013325
	White*	CONT18570013320
	RAL Classic*	CONT18970013330

* Colour matt black: Gloss level 10 | Colour white: Gloss level 60 | RAL Classic colours, please indicate gloss level

BJÖRK changing table



Wall mounted changing table, aluminium profile painted in matt black, white or RAL Classic. Wall bracket: painted steel plate. Swivel joint: electro-galvanised steel.

- For wall mounting
- Strong materials with rounded corners for optimum safety
- Ideal where wall space is limited
- Easy opening and closing
- Available in all RAL Classic colours
- Without fixing hardware

Net weight: 17 kg
 Dimensions (WxHxD): 552x771x100 mm
 Open (WxD): 304x751 mm
 Changing area (WxD): 510x700 mm
 Load bearing capacity (max.): 80 kg
 Normen: EN 12221-1:2008 + A1:2013

* Example combination BJÖRK changing table BJÖRK paper dispenser

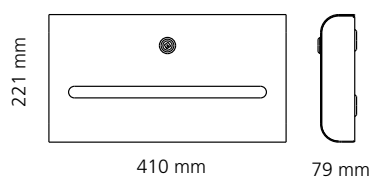


For combining with:
 CONT13600713255, CONT13500713250, CONT13900713260 BJÖRK paper dispenser

Description	Colour	Order number
BJÖRK changing table	Matt black*	CONT25678713205
	White*	CONT25578713200
	RAL Classic*	CONT25978713210



BJÖRK paper dispenser for changing table



Paper dispenser for BJÖRK changing table with powder coated stainless steel housing in matt black, white or RAL Classic.

- For wall mounting
- With safety lock
- Available in all RAL Classic colours

Net weight: 2.5 kg
 Dimensions (WxHxD): 410x221x79 mm

For combining with:
 CONT25678713205, CONT25578713200, CONT25978713210 BJÖRK changing table

Description	Colour	Order number
BJÖRK paper dispenser	Matt black*	CONT13600713255
	White*	CONT13500713250
	RAL Classic*	CONT13900713260

* Colour matt black: Gloss level 10 | Colour white: Gloss level 60 | RAL Classic colours, please indicate gloss level

BJÖRK paper changing table liners



Individual 3-ply paper towels that can be pulled as individual paper towels from the W-fold bundle in the dispenser for a cost effective, hygienic solution.

- Practical and hygienic solution for a clean changing surface
- Extra convenience and hygiene during nappy changes
- Suitable for BJÖRK paper dispensers

Packaging unit: 30 sheets per bundle,
Box of 9 bundles
Net weight: 1 kg

Description	Dimensions	Order number
BJÖRK paper changing table liners	Single sheet 203x340 mm	CONT41000003265

Drip tray for wall mounted disinfectant dispenser

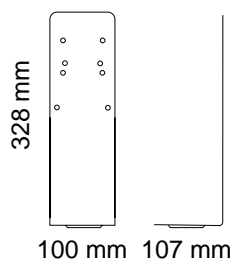


Drip tray made of powder coated stainless steel in matt black, white or RAL Classic. Suitable for BJÖRK and SteelTec touch-free disinfectant dispensers.

- For wall mounting
- To catch drips and prevent slippery floors
- Available in all RAL Classic colours

Net weight: 0.3 kg
Dimensions (WxHxD): 100x328x107 mm

Description	Colour	Order number
Drip tray for wall mounted disinfectant dispenser	Matt black*	CONT44600053172
	White*	CONT44500053171
	RAL Classic*	CONT44900053173



* Colour matt black: Gloss level 10 | Colour white: Gloss level 60 | RAL Classic colours, please indicate gloss level

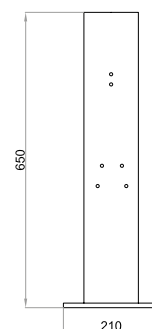
Tabletop stands for touch-free disinfectant dispensers



Mobile table stand with drip tray, 65 cm high. For mounting disinfectant dispensers for installation in high-traffic areas and entrances. Painted in matt black, white or RAL Classic. Suitable for BJÖRK and SteelTec touch-free disinfectant dispensers.

- Made of steel and aluminium
- With integral drip tray
- Available in all RAL Classic colours

Net weight: 4 kg
Dimensions (WxHxD): 210x650x210 mm



Description	Colour	Order number
Tabletop stand for touch-free disinfectant dispensers	Matt black*	CONT43600083176
	White*	CONT43500083175
	RAL Classic*	CONT43900083177



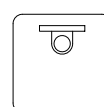
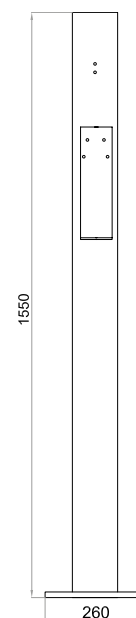
Floor stands for touch-free disinfectant dispensers



Mobile floor stand with drip tray, 155 cm high. For mounting disinfectant dispensers for installation in high-traffic areas and entrances. Painted in matt black, white or RAL Classic. Suitable for BJÖRK and SteelTec touch-free disinfectant dispensers.

- Made of steel and aluminium
- With integral drip tray
- Available in all RAL Classic colours

Net weight: 8 kg
Dimensions (WxHxD): 260x1550x260



Description	Colour	Order number
Floor stand for touch-free disinfectant dispensers	Matt black*	CONT43600073181
	White*	CONT43500073180
	RAL Classic*	CONT43900073182



Sanitary equipment

* Colour matt black: Gloss level 10 | Colour white: Gloss level 60 | RAL Classic colours, please indicate gloss level

Transformer 230 V – 6 V/DC (plug)



Transformer 230 V – 6 V/DC as plug-in power supply unit.
Retrofit kit for battery-operated dispensers to mains connection.

Cable length: 1800 mm
Colour: Black

Description	Order number
Transformer 230 V – 6 V/DC (plug) for SteelTec and BJÖRK dispenser systems	CONO010888

Transformer 230 V – 6 V/DC, concealed



Transformer 230 V – 6 V/DC as concealed supply unit
for soap or disinfectant dispensers.

Cable length: 1800 mm
Colour: Black

Description	Order number
Transformer 230 V – 6 V/DC (concealed) for SteelTec and BJÖRK dispenser systems	CONO110888

Transformer 230 V – 6 V/DC (plug) with adaptor from battery to dispenser

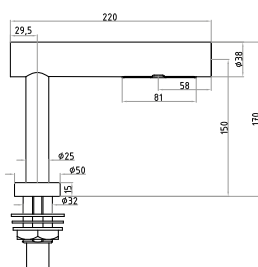


Transformer 230 V – 6 V/DC as plug-in power supply unit for soap or
disinfectant dispensers. Retrofit kit for battery-operated dispensers to mains
connection. Suitable for Cleanline and HK IRSP disinfectant dispensers.

Cable length: 700 mm
Colour: Black

Description	Order number
Transformer 230 V – 6 V/DC (plug) with adaptor from battery to dispenser	CONO120888

AirTap hand dryer, touch-free

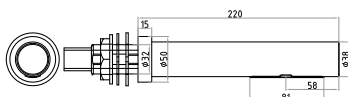


for washbasin mounting

- Intelligent temperature control and automatic adjustment
- Powerful commutator motor with carbon brushes for rear panel mounting
- IR sensor and electronic time switch
- Activation distance: adjustable between 20 and 130 mm
- Safety switch-off after 60 s of continuous operation
- Housing: stainless steel in a satin finish

Net weight:	5.6 kg
Dimensions (ØxHxD)::	50x170x220 mm
Connection voltage:	230 V
Rated output:	1000 W
Air outlet temperature (max.):	57 °C
Drying time: approx. 10 – 15 s:	10–15 s
Noise level:	68.5–70.5 dB
IP protection:	IP35

Description	Material/colour	Order number
AirTap hand dryer, for washbasin mounting	Stainless steel	CONT21206830370



for wall mounting

- For wall mounting behind a panel or mirror
- Intelligent temperature control and automatic adjustment
- Powerful commutator motor with carbon brushes for installation under the countertop
- IR sensor and electronic time switch
- Activation distance: adjustable between 20 and 130 mm
- Safety switch-off after 60 s of continuous operation
- Housing: stainless steel in a satin finish

Net weight:	5.6 kg
Dimensions (ØxHxD)::	38x50x220 mm
Connection voltage:	230 V
Rated output:	1000 W
Air outlet temperature (max.):	57 °C
Drying time: approx. 10 – 15 s:	10–15 s
Noise level:	68.5–70.5 dB
IP protection:	IP35

Description	Material/colour	Order number
AirTap hand dryer, for wall mounting	Stainless steel	CONT21206840372

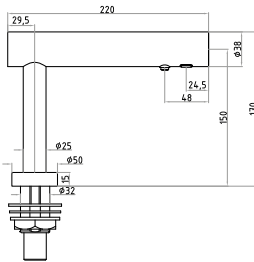
AirTap dispenser, touch-free

for liquid soap/disinfectant or foam soap, for washbasin mounting



- Soap container and pump unit for installation under the countertop
- IR sensor and electronic time switch
- Activation distance: adjustable between 20 and 130 mm
- Housing: stainless steel in a satin finish

Net weight: 1.25 kg
 Dimensions (ØxHxD):: 50x170x220 mm
 Capacity: 15 dl
 Dosage: 1000 – 1500 d
 Connection voltage: 230 V
 IP protection: IP35



Description	Version	Order number
SoapTap dispenser, washbasin mounting	Liquid soap/ disinfectant	CONT17206830376
	Foam soap	CONT17206830380

Note:

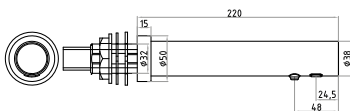
Disinfectant dispensers should only be operated with ready-to-use disinfectant solution; if necessary, a mixture of concentrate with drinking water or distilled water can be prepared in the container.

for liquid soap/disinfectant or foam soap, for wall mounting



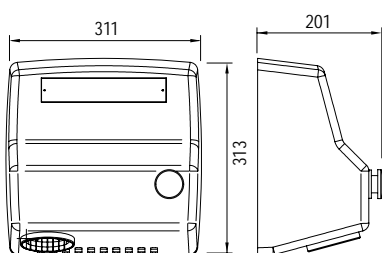
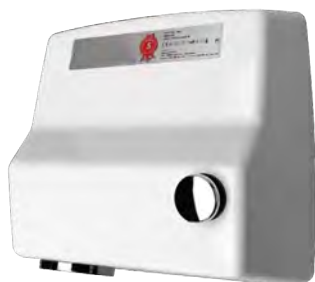
- For wall mounting behind a panel or mirror
- Soap container and pump unit for rear panel mounting
- IR sensor and electronic time switch
- Activation distance: adjustable between 20 and 150 mm
- Housing: stainless steel in a satin finish

Net weight: 1.25 kg
 Dimensions (ØxHxD):: 38x50x220 mm
 Capacity: 15 dl
 Dosage: 1000 – 1500 d
 Connection voltage: 230 V
 IP protection: IP35



Description	Version	Order number
SoapTap dispenser, wall mounting	Liquid soap/ disinfectant	CONT17206840378
	Foam soap	CONT17206840382

Hand- and hairdryer



White hand/hair dryer with housing made of 4 mm die-cast aluminium, with pushbutton and infinitely adjustable electronic time switch for the drying cycle.

- For wall mounting
- With pushbutton activation
- Drying time: 25 – 170 s
- Available in all RAL Classic colours
- Virtually maintenance-free
- With induction motor

Net weight: 7.45 kg
 Dimensions (WxHxD): 311x313x201 mm
 Rated output: 2360 W
 Noise level: 62 dBA
 Air outlet temperature (max.): 65 °C
 IP protection: IP23
 Material: 4 mm die-cast aluminium, white

For combining with:
 CONT26000710645 height adjustment rail

Description	Version	Order number
Hand/hair dryer	manual	CONT26500710100



Height adjustment rail for hairdryer

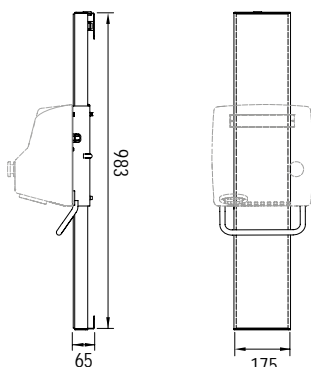
- For electrical warm air dryer/hair dryer
- Infinite adjustment range of 500 mm
- Robust rail with strong gas springs

Net weight: 6.25 kg
 Dimensions (WxHxD): 175x983x65 mm
 Height extension: up to 500 mm

For combining with:
 CONT26500710100 hand/hairdryer

Optional:
 With mirror over entire rail

Note:
 The hand/hair dryer is not included in the standard delivery



Description	Material/colour	Order number
Height adjustment rail	Aluminium/ stainless steel	CONT26000710645

ELEGANCE hairdryer, manual

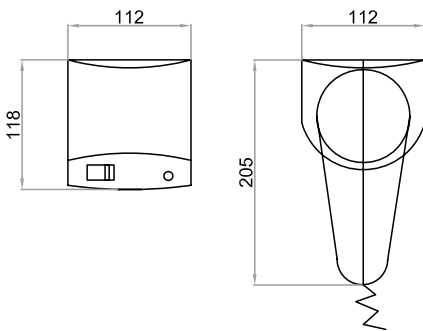


Double insulated hair dryer made of impact-resistant, white plastic.

- For wall mounting
- Robust hair dryer with strong warm air hose
- Manual adjustment of the air volume in two steps: 1200 W (max.)

Net weight: 1 kg
 Dimensions (WxHxD): 112x118x205 mm

Description	Material/colour	Order number
ELEGANCE hair dryer	White plastic	CONT26500710713



Hand dryer

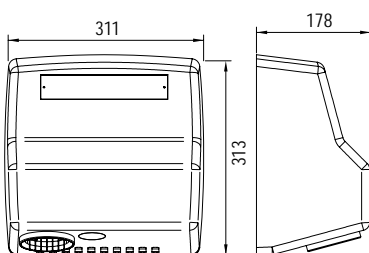
Hand dryer AE



Hand dryer with housing made of 4 mm die-cast aluminium, touch-free, with IR sensor and electronic time switch.

- For wall mounting
- Drying time: 25 – 170 s
- Available in all RAL Classic colours
- Virtually maintenance-free
- With induction motor
- 90 % recyclable

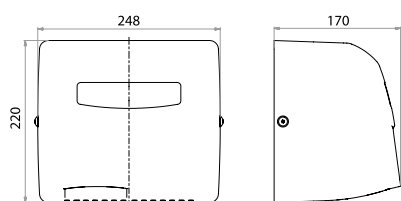
Net weight: 7.25 kg
 Dimensions (WxHxD): 311x313x178 mm
 Rated output: 2360 W
 Noise level: 62 dBA
 Air outlet temperature (max.): 65 °C
 IP protection: IP23



Description	Version	Order number
Hand dryer AE	IR-Sensor	CONT21500810261

Hand dryer

Hand dryer MINI



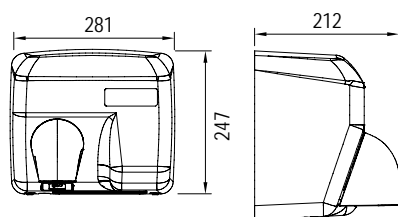
Touch-free hand dryer with white housing made of 2 mm die-cast aluminium. With IR sensor and electronic time switch.

- For wall mounting
- Drying time: approx. 30 s
- Stops 2 s after hands removed or after 60 s of continuous operation
- Induction motor without carbon brushes

Net weight:	5.4 kg
Dimensions (WxHxD):	248x220x170 mm
Rated output:	1800 W
Operating voltage:	230 V
Noise level:	64 dBA
Air outlet temperature (max.):	55 °C
IP protection:	IP21

Description	Colour	Order number
Hand dryer MINI, touch-free	White, RAL 9003 Gloss level 75	CONT21500810270

Hand dryer MAXI



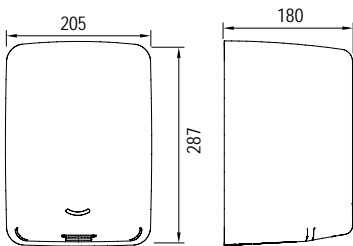
Hand dryer with housing made of 2 mm steel plate. With a fixed outlet nozzle made of zinc with polished chrome plating. Touch-free with IR sensor and electronic time switch.

- For wall mounting
- Drying time: approx. 20 – 25 s
- Powerful commutator motor
- Extremely hygienic
- Easy to service
- Robust, impact-resistant steel housing, protects against vandalism
- Outlet nozzle

Net weight:	7 kg
Dimensions (WxHxD):	281x247x212 mm
Rated output:	2400 W
Noise level:	70 dBA
Air outlet temperature (max.):	65 °C
IP protection:	IP21

Description	Colour	Order number
Hand dryer MAXI, touch-free	White	CONT21500810272

Hand dryer



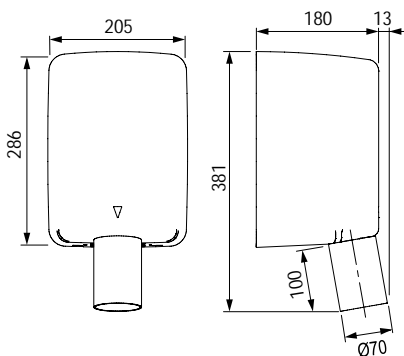
Hand dryer TURBO Low Noise

Touch-free hand dryer with brushed or white enamelled stainless steel housing. With IR sensor and electronic time switch.

- For wall mounting
- Drying time: approx. 10 – 15 s
- Adjustable activation distance 150 – 190 mm
- Adjustable air speed: 65-95 m/s
- Powerful commutator motor with carbon brushes
- Extremely hygienic
- Easy to service

Net weight: 5.5 kg
 Dimensions (WxHxD): 205x287x180 mm
 Rated output: 700–1400 W
 Noise level: 62.8 – 68.2 dBA
 Air outlet temperature (max.): 55 °C
 IP protection: IP31

Description	Material/colour	Order number
Hand dryer TURBO	White	CONT21500810346
Low Noise, touch-free	Brushed stainless steel	CONT21200810347



Hand dryer TURBO, for installation behind a mirror or cabinet

Touch-free hand dryer, housing and nozzle made of brushed stainless steel. With IR sensor and electronic time switch.

- Drying time: approx. 10 – 15 s
- Powerful commutator motor

Net weight: 5.8 kg
 Dimensions (WxHxD): 205x286x180 mm
 Nozzle (L): 100 mm
 Diameter (Ø): 70 mm
 Rated output: 1600 W
 Noise level: 78 dBA
 Air outlet temperature (max.): 60 °C
 IP protection: IPX1

Description	Material/colour	Order number
Hand dryer TURBO, touch-free	Stainless steel, matt	CONT21200850244

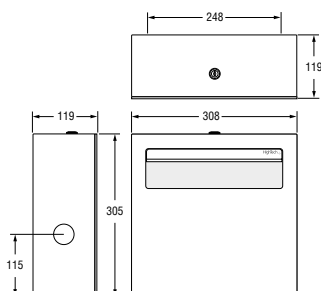
Sanitary bin



Sanitary bin, with integrated compartment

- For wall mounting, with 3 drilling holes
- Bags removable from lateral hole opening
- Lockable from the top

Dimensions (WxHxD): 308x305x119 mm
 Material thickness: 3 mm, stainless steel
 Capacity compartment: 1 package of 30 bags



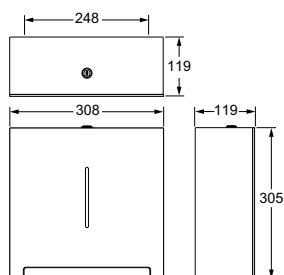
Description	Hole opening	Order number
Sanitary bin, with integrated compartment	right	CONT18200011305
	left	CONT18200012305

Paper towel dispenser, for wall mounting



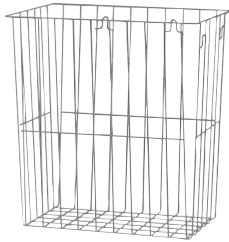
- With 3 drilling holes
- Without fixing hardware
- Lockable from the top

Dimensions (WxHxD): 308x305x119 mm
 Front panel: 2 mm, stainless steel



Description	Version	Order number
Paper towel dispenser	for wall mounting	CONT16200010000

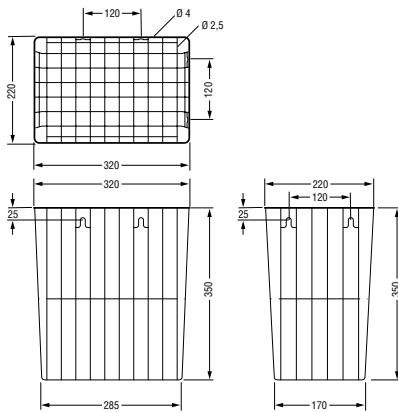
Mesh basket for paper waste bin



- For use with or without waste bags
- With wall bracket
- For exposed installation or freestanding
- Stainless steel mesh, plastic coated

Dimensions (WxHxD): 320x350x220 mm

Description	Colour	Order number
	White	CONT1850000640
Mesh basket with 25 litre volume	Silver coloured (Rilsan coated)	CONT1840000640

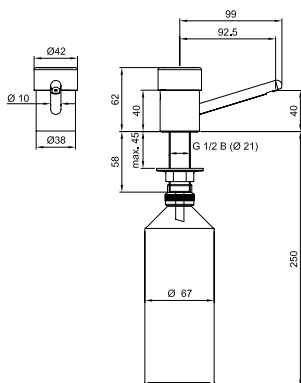


Washbasin soap dispenser



- Solid brass, chrome plated
- With manually operated, theft-proof dosing pump
- Refilling the liquid soap from above without removing the refill container
- Plastic refill container to hold the liquid soap

Height: 62 mm
 Projection: 92/43 mm
 Drilling hole: Ø 22–25 mm
 Capacity: 500 ml



Description	Material/colour	Order number
Washbasin soap dispenser manual	Chrome plated	CONT17300730062





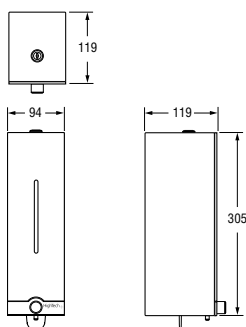
Wall soap dispenser



- Without fixing hardware
- Theft-proof fixing
- Lockable from above

Dimensions (WxHxD): 94x305x119 mm
 Front panel: 3 mm
 Capacity: 1000 ml
 Viscosity: 4–3500 mPa*s

Attention: Please only fill with the pH-neutral, chloride- and halogen-free soap as recommended by us - otherwise no guarantee!



Description	Material/colour	Order number
Wall soap dispenser manual	Stainless steel, matt	CONT17200710305

Dispenser

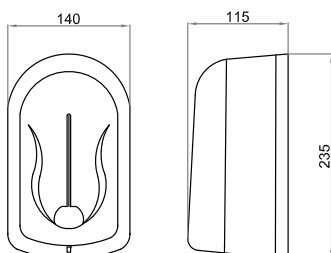


ELEGANCE dispenser

Touch-free dispenser for liquid soap or disinfectant.

- For wall mounting
- Housing: made of impact-resistant plastic, white
- Battery operation (batteries not included in the standard delivery)
- With fill level indicator
- Locked with a special key
- Ready for activation in closed state
- Activation distance: 1– 8 cm
- Dosage: 1 ml

Net weight: 1 kg
 Dimensions (WxHxD): 140x235x115 mm
 Capacity: 1.1 l



Description	Version	Order number
ELEGANCE dispenser touch-free	Liquid soap	CONT17500810717
	Disinfectant	CONT17500810718

Dispenser



Disinfectant dispenser SC-7501

Touch-free dispenser for disinfectant.

- Wall mounting (fixing hardware included)
- Housing made of white ABS, rear panel made of grey ABS
- Capacity: 0.5 l
- Dosage: 1 ml per actuation
- Activation via RS sensor
- Battery type AA: 4 pieces, not included in the scope of delivery
- Lockable
- Inspection window at the front for checking the fill level

Dimensions (WxHxD): 90x200x80 mm

Description	Version	Order number
Dispenser SC-7501 touch-free	Disinfectant	CONT17500817501

Note:

Disinfectant dispensers should only be operated with ready-to-use disinfectant solution; if necessary, a mixture of concentrate with drinking water or distilled water can be prepared in the container.



Disinfectant or liquid soap dispenser SC-7511

Touch-free dispenser for disinfectant or liquid soap.

- Wall mounting (fixing hardware included)
- Housing made of white ABS, rear panel made of grey ABS
- Capacity: 0.5 l
- Dosage: 1 ml per actuation
- Activation via RS sensor
- Battery type AA: 4 pieces, not included in the scope of delivery
- Lockable
- Inspection window at the front for checking the fill level

Dimensions (WxHxD): 90x200x80 mm

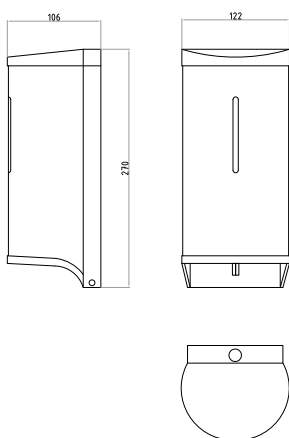
Note:

Pre-fitted as a disinfectant dispenser; nozzle for converting to liquid soap dispenser included.

Description	Version	Order number
Dispenser SC-7511 touch-free	Disinfectant/ liquid soap	CONT17500817511



Dispenser



Dispenser HK IRSP

Touch-free dispenser for disinfectant.

- Wall mounting
- Stainless steel housing, top and bottom sections made of grey plastic
- Capacity: 0.8 l
- Up to 1.300 doses
- Can be connected to mains power by means of an external transformer (not included in the standard delivery)*
- Activation distance: approx. 5 cm under dosing nozzle
- Blue light indicates action
- Lock to protect against vandalism
- Battery type AA: 4 pieces, not included in the scope of delivery

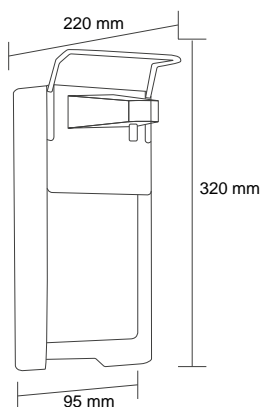
Suitable drip trays, table or floor stands from page 269.

Dimensions (WxHxD): 122x270x106 mm
 Net weight: 0.7 kg

Description	Version	Order number
Dispenser HK IRSP touch-free	Disinfectant	CONT17500810031

Note:

Disinfectant dispensers should only be operated with ready-to-use disinfectant solution; if necessary, a mixture of concentrate with drinking water or distilled water can be prepared in the container.



Dispenser SC-268L

Manual dispenser for liquid soap and disinfectant.

- Wall mounting (fixing hardware included)
- Aluminium housing with white ABS
- Stainless steel pump lever
- With refill container 1 l
- Dosage: 1 – 3 ml per actuation

Dimensions (WxHxD): 95x320x220 mm

Description	Version	Order number
Dispenser SC-268L manual	Disinfectant/ liquid soap	CONT17700710268



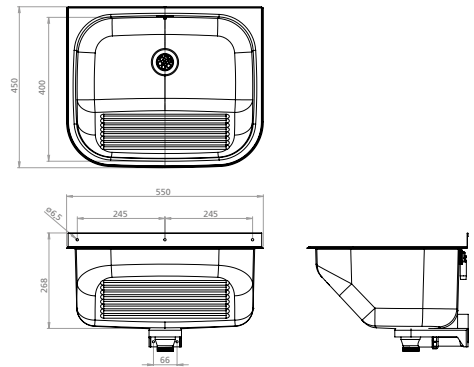
SteelTec Bergen 480 washbasin

For wall mounting.

- With washboard stamping at the front
- With integral hygienic edge
- With overflow set
- Without faucet hole
- With 1 1/2" drain valve
- With drain plug and chain
- With brackets
- Fixing hardware included

Dimensions (WxHxD): 555x450x268 mm
 Material: AISI 304 stainless steel

Description	Width	Order number
SteelTec Bergen 480 washbasin	555 mm	CONT01221210480



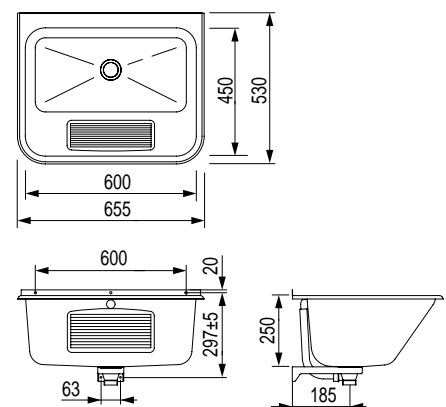
SteelTec Bergen 530 washbasin

For wall mounting.

- With washboard stamping at the front
- With integral hygienic edge
- With overflow set
- With 1 1/2" drain valve
- With drain plug and chain
- Without faucet hole
- With brackets
- Fixing hardware included

Dimensions (WxHxD): 655x250x530 mm
 Material: AISI 304 stainless steel

Description	Width	Order number
SteelTec Bergen 530 washbasin	655 mm	CONT01221210530



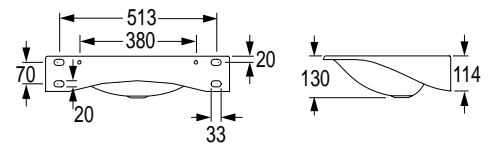
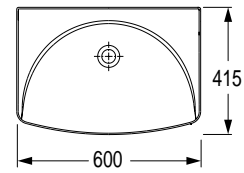
SteelTec Malmoe washbasin

For wall mounting.

- With brackets and installation bolts
- With 1 1/4" drain valve
- Without faucet hole
- With overflow set

Dimensions (WxHxD): 600x130x415 mm
 Material: 1.4301 stainless steel

Description	Width	Order number
SteelTec Malmoe washbasin	600 mm	CONT01211210415



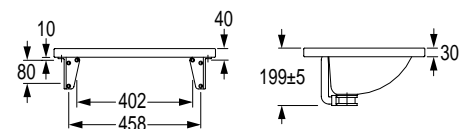
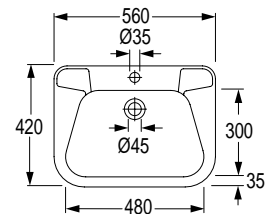
SteelTec Emden washbasin

For wall mounting.

- With faucet hole
- With integral soap trays
- With overflow set
- With 1 1/2" drain valve
- With drain plug and chain
- With brackets and fixing hardware

Dimensions (WxHxD): 560x199x420 mm
 Material: 1.4301 stainless steel

Description	Width	Order number
SteelTec Emden washbasin	560 mm	CONT01212200420



SteelTec Lund 305 built-in basin, round

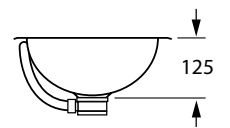
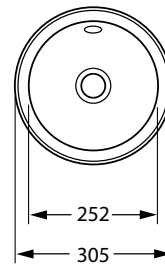
Installation in the countertop, glued into place.

- With overflow set
- Without drain valve

Outer diameter: 305 mm
 Inner diameter: 252 mm
 Cutout dimensions: Ø 270 mm
 Height: 125 mm
 Material: 1.4301 stainless steel



Description	Material/colour	Order number
SteelTec Lund 305 built-in basin, round	Stainless steel, highly polished on the inside/outside	CONT02121130305



SteelTec Fjord 1200 wash trough

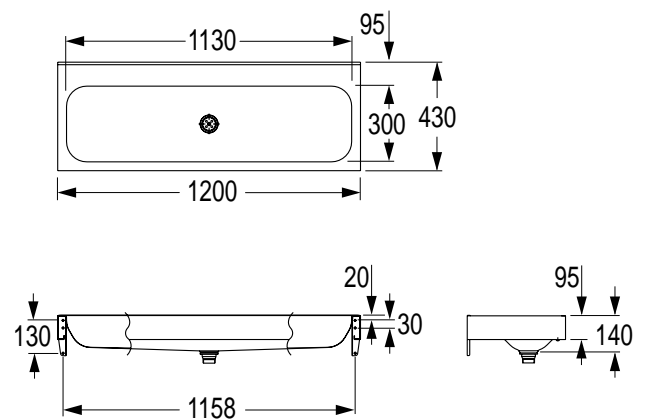
For wall mounting.

- Seamlessly pressed
- With brackets and fixing hardware
- 1 1/2" drain valve and pre-installation for optional wall panel included
- Without faucet hole
- Without overflow

Dimensions (WxHxD): 1200x140x430 mm
 Material: 1.4301 stainless steel



Description	Width	Order number
SteelTec Fjord 1200 wash trough	1200 mm	CONT07211211201



SteelTec Fjord 1800 wash trough

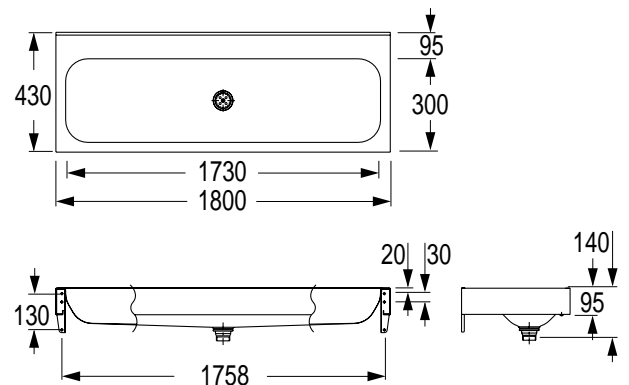
For wall mounting.

- Seamlessly pressed
- With brackets and fixing hardware
- 1 1/2" drain valve and pre-installation for optional wall panel included
- Without faucet hole
- Without overflow

Dimensions (WxHxD): 1800x130x430 mm
 Material: 1.4301 stainless steel



Description	Width	Order number
SteelTec Fjord 1800 wash trough	1800 mm	CONT07211211801



Wash trough accessories

Edge protector – mounting kit

- For retrofitting corner protection
- For SteelTec Fjord wash troughs
- ABS plastic
- Packaging unit: 2 pieces

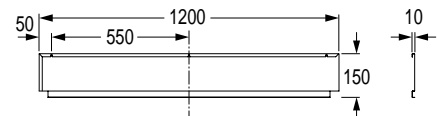


Description	Material/colour	Order number
Edge protector	Plastic black	CONO720000

Wall panel for Fjord 1200 wash trough

Dimensions (WxHxD): 1200x10x150 mm

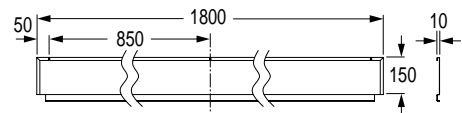
Description	Material/colour	Order number
Wall panel for SteelTech Fjord 1200 wash trough	Stainless steel, matt	CONO731200



Wall panel for Fjord 1800 wash trough

Dimensions (WxHxD): 1800x10x150 mm

Description	Material/colour	Order number
Wall panel for SteelTech Fjord 1800 wash trough	Stainless steel, matt	CONO731800



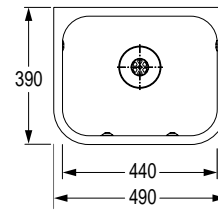
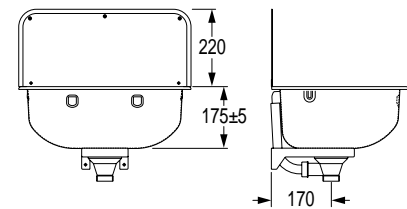
SteelTec Visby 390 laboratory sink

For wall mounting.

- With rear panel
- With overflow set
- With brackets and installation bolts
- With 3 1/2" x 1 1/2" drain valve
- With drain plug and chain

Dimensions (WxHxD): 490x395x390 mm
 Material: 1.4301 stainless steel

Description	Width	Order number
SteelTec Visby 390 laboratory sink	490 mm	CONT05221210390



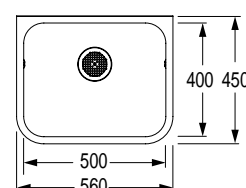
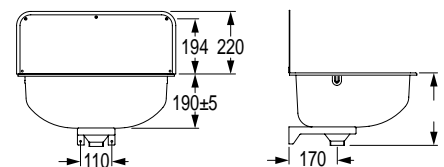
SteelTec Visby 450 utility sink

For wall mounting.

- With rear panel
- With space saving odour trap
- With brackets and installation bolts
- With 3 1/2" x 2" drain valve
- inklusive 2" – 1 1/2" Adapter
- Without overflow
- Without grill
- Without faucet hole

Dimensions (WxHxD): 560x410x450 mm
 Material: 1.4301 stainless steel

Description	Width	Order number
SteelTec Visby 450 utility sink	560 mm	CONT05211210450



SteelTec Visby 310 utility sink

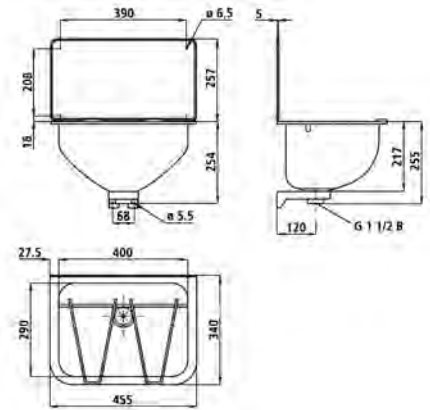
For wall mounting.

- With rear panel
- With space saving odour trap
- With brackets
- With 1 1/2" drain valve
- With grill
- Without faucet hole
- Without overflow

Dimensions (WxHxD): 455x511x340 mm
 Material: AISI 304 stainless steel



Description	Width	Order number
SteelTec Visby 310 utility sink	455 mm	CONT05211210310



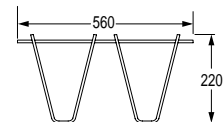
Accessories for SteelTec utility sink

Grill for Visby 450 utility sink

Dimensions (WxD): 560x220 mm



Description	Material/colour	Order number
Grill for Visby 450 utility sink	Stainless steel, matt	CONO710450

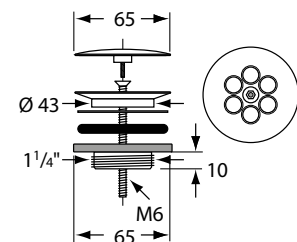


Universal drain valve 1 1/4"

Universal drain valve for washbasins without overflow.

Drain valve: 1 1/4"

Description	Material/colour	Order number
Universal drain valve 1 1/4"	Chrome plated	CONO880000
	Stainless steel, matt	CONO880001
	Stainless steel, polished	CONO880002







Information

General terms and conditions 296

General terms and conditions

CONTI Sanitärarmaturen GmbH

Our offers, order confirmations, sales and deliveries are exclusively subject to the following Terms and Conditions. These also apply to all future transactions even if we do not expressly refer to them in each individual case. Terms and conditions of the customer (buyer or ordering party) do not become part of the contract, even if they have not expressly been objected to. Any individual agreements made with the buyer on a case-by-case basis (including side agreements, supplements and amendments) always take priority over these General Terms and Conditions. Subject to evidence to the contrary, the content of such agreements requires a written contract or our written confirmation. Our Terms and Conditions apply only with respect to entrepreneurs within the meaning of sections 14, 310(1) German Civil Code (Bürgerliches Gesetzbuch – “BGB”).

I. Offer

1. Any documents provided in the context of an offer, such as illustrations, drawings, weights and dimensions, shall only be approximate unless they are expressly stated as binding. We reserve rights of ownership and copyright in relation to cost quotations, calculations, drawings and any other documents. This shall also apply to written documents that have been designated as being “confidential”. Any transfer to third parties by the customer requires our prior express written consent.

2. Quoted prices shall be non-binding.

3. Goods orders placed by customers are deemed to constitute a binding contract offer. Unless otherwise indicated in the order, we are entitled to accept this contract offer within two weeks after receiving it.

4. Acceptance may be declared either in writing (e.g. by order confirmation) or by delivery of the goods to the customer.

II. Scope of delivery

The scope of delivery shall be based (i) on our written order confirmation or (ii) on the offer in the case of an order with a fixed period of validity and timely acceptance provided that no order confirmation is issued.

III. Delivery time

1. Details regarding delivery times and dates are always only approximate and without obligation. If, in individual cases, we have expressly stated that the delivery time is binding, it shall only commence after all details regarding the pending delivery – in particular all technical questions – have been clarified and only in the event of the timely and complete fulfilment of the customer’s contractual obligations. We reserve the right to invoke the “defence of non-performance of the contract” (Einrede des nicht erfüllten Vertrages).

2. The delivery time shall be reasonably extended in the event of measures in the context of industrial action, in particular strikes and lockouts, as well as if unforeseen obstacles arise that are beyond our control if such obstacles demonstrably have a significant influence on the completion or delivery of the delivery item. The same applies if those circumstances arise with sub-contractors. We are not responsible for the aforementioned circumstances even if they occur during a pre-existing delay. In important cases, we will notify the customer of the start and end of such obstacles as soon as possible.

3. The delivery deadline is deemed to have been met if, prior to its expiry, the delivery item has left the factory.

4. If a customer is in default of acceptance or violates any other obligations to cooperate, we are entitled to claim damages for any loss or damage incurred in this regard, including any additional expenses incurred. This shall not affect any further rights and claims.

5. If the conditions laid down in clause III.4 have been met, the risk of accidental loss or accidental deterioration of the purchased item passes to the customer at the time at which the customer is in default of acceptance or payment.

6. In the event of call-off orders, the delivery date is deemed to be the period agreed between the customer and us. If the orders are not called-off within a reasonable grace period set by us, we are free to deliver the goods and invoice them or to withdraw from the purchase agreement and assert a claim for damages.

IV. Prices, terms of payment

1. Unless otherwise indicated in the offer or the order confirmation, our prices effective on the day of delivery apply “FCA Wettenberg”, including packaging if applicable. The prices apply in addition to value added tax at the statutory rate as applicable at the time of delivery.

2. The deduction of a cash discount requires a specific written agreement. Unless indicated otherwise in the order confirmation, the net price (without any deduction) is due and payable within 30 days from invoicing. Customer service invoices are payable net immediately. If the customer is in default of payment, we are entitled to claim default interest of 9% over the base rate pursuant to section 247 BGB. We reserve the right to claim additional loss or damage caused by the default. Any circumstances that come to light after the contract has been entered into which may reduce the customer’s creditworthiness result in all our claims falling due immediately and entitle us to request security.

3. Customers shall only be entitled to set off any payment claims if their counterclaims have been upheld and declared unappealable by a court of law, or if such counterclaims are uncontested or have been accepted by us. In addition, customers shall only

be entitled to exercise a right of retention if their counterclaim is based on the same contractual relationship.

4. Unless otherwise indicated in the offer or the order confirmation freight and document charges shall be born by the customer.

5. Goods that have been supplied free of defects may only be returned once we have granted our written approval. For all returned goods, we will deduct 35% from the credited price for processing costs. Any necessary reconditioning or repackaging costs will be charged for separately. The customer shall bear the return transport risk and the return transport costs. Only returns of any kind that are free of charge and have been agreed or approved by CONTI Sanitärarmaturen GmbH prior to the return will be accepted.

6. Our commercial agents are not entitled to collect any payments.

V. Transfer of risk and acceptance

1. Unless otherwise indicated in the order confirmation, delivery "FCA Wetttemberg" shall be deemed agreed. Any transport packaging and other packaging in accordance with the German Packaging Regulations (Verpackungsverordnung) are not taken back, except for pallets and the items referred to in clause IV.5. Customers are obliged to organise the disposal of the packaging at their own expense.

2. If customers require, we will insure the consignment against any transport damage as well as against any other insurable risks. The costs that accrue in that regard will be borne by the customer.

3. The risk shall pass to the customer acc. to the agreed Incoterm, even if partial deliveries are made or if we have taken on additional obligations such as dispatch costs or delivery and installation. We reserve the right to determine the shipping method.

4. If delivery or shipping is delayed due to circumstances for which the customer is responsible, the risk passes to the customer from the day on which the customer is notified that the goods have been made available; at the request and cost of the customer, we will insure the goods that are to be supplied.

5. Delivered items must be accepted by the customer – even if they have insignificant defects – without prejudice to the rights under clause VIII.

6. Part deliveries are permissible.

VI. Reservation of title

1. We reserve title in the delivered goods until receipt of all payments due under the contract. If customers act in breach of contract, in particular if customers default on their payment obligations, we are entitled to take back the goods. Our taking back of the goods does not constitute a withdrawal from the contract un-

less we have expressly declared this in writing. After taking back the goods we are entitled to sell these. The proceeds of sale shall be credited against the customer's liabilities – less any reasonable costs of sale.

2. Customers are obliged to treat the delivered goods with due care; customers are in particular obliged, at their own expense, to insure the goods sufficiently and at replacement value against damage caused by fire, water and theft. If any maintenance and inspection work is required, customers shall perform this work in good time and at their own expense.

3. In the event of attachments or other third-party interventions, customers shall immediately notify us in writing to enable us to bring a legal action in accordance with section 771 German Code of Civil Procedure (Zivilprozessordnung – "ZPO"). If the third party is unable to reimburse us for the judicial or extrajudicial costs of a legal action pursuant to section 771 ZPO, the customer shall be liable for any costs incurred by us.

4. Customers are entitled to resell any goods subject to reservation of title in the ordinary course of business; customers do, however, hereby assign to us all claims arising from the resale against their buyers or third parties together with all associated rights equivalent to our final invoiced amount (including VAT), irrespective of whether the goods have been resold with or without agreement. Customers shall remain authorised to collect this claim even after it has been assigned. This is without prejudice to our right to collect such claim ourselves. However, we undertake not to collect such claim as long as customers continue to meet their payment obligations in time and in full, as long as they are not in default of payment and, in particular, as long as no application has been made to start insolvency proceedings or suspend payments. If the authorisation to collect the claim is exercised, we are entitled to demand that customers notify us of the assigned claims and their debtors, provide all details necessary for a collection of such claims, hand over the attendant documents and notify the debtor (third party) of such assignment.

5. Any processing or transformation of the goods subject to reservation of title by the customer is always deemed to have been made on our behalf. If the goods subject to reservation of title are processed together with objects that do not belong to us, we shall acquire joint ownership of the new item at a ratio of the value of the goods subject to reservation of title (final invoice amount including VAT) in relation to the value of the other processed items at the time of processing. The same provisions as apply to the goods delivered subject to reservation of title shall apply in relation to the item that results from the processing.

6. If the goods subject to reservation of title are inextricably combined with objects that do not belong to us, we shall acquire joint ownership of the new item at a ratio of the value of the goods

General terms and conditions

CONTI Sanitärarmaturen GmbH

subject to reservation of title (final invoice amount including VAT) in relation to the other combined items at the time of combining. If the combination is such that the customer's goods are to be regarded as the main item, it shall be deemed to have been agreed that the customer shall transfer proportionate joint ownership to us. The customer shall hold the resulting sole or joint ownership on our behalf.

7. In order to secure our claims against them, customers also assign to us any claims which arise against a third party from the combination of the purchased item with a piece of real estate.

8. We undertake, upon the customer's request, to release the securities to which we are entitled to the extent that the realisable value of our securities exceeds the value of the claims to be secured by more than 10%; we are entitled to select which securities are to be released.

VII. Notifications of defect

1. Warranty rights of customers require that customers have duly met their duties to inspect and give notice of defects according to section 377 German Commercial Code (Handelsgesetzbuch – "HGB"). Customers are obliged to inspect the delivered parts immediately after receipt.

2. In the case of obvious defects, any notifications of defects must be addressed to us in writing without delay within 8 days from receipt, and these will only be taken into account if the goods are still in the same condition which they were in when they were delivered. In the event of justified complaints we reserve the right to replace or repair the defective goods. If customers fail to duly inspect the goods and/or duly notify us of any defects, our liability with regard to the defect that we were not notified of either in a timely manner or in the proper form is excluded in accordance with the statutory provisions.

3. We must be notified of any other defects and any consequential damage that may occur without delay and no later than within 2 weeks after they were discovered or could have been discovered. The customer must ensure that all required measures to mitigate the damage are taken without delay. We must be given the opportunity to inspect the defective parts and the damage in situ in their unchanged state.

VIII. Liability for defects of delivery

We are liable for any defects in accordance with the following claims.

1. Parts that turn out to be defective due to circumstances prior to the passing of risk, in particular due to faulty design, poor materials or poor workmanship, will – at our discretion – either be repaired or replaced. The customer must return any replaced parts.

If the repair is unsuccessful (section 440 sentence 2 BGB) or if the replacement item is also defective, the customer may reasonably reduce the contractually agreed price or withdraw from the contract. In the event of insignificant defects, a withdrawal from the contract is excluded. Special statutory provisions that apply if the unprocessed goods are to ultimately be delivered to a consumer shall remain unaffected in any event (recourse against supplier pursuant to sections 478 et seq. BGB) even if the consumer has processed the goods further.

2. Following consultation with us, the customer shall afford us the required time and opportunity to carry out all the repairs and replacements deemed necessary by us; otherwise we are deemed released from our liability for defects. Only in urgent cases which jeopardise operational safety and to prevent disproportionately large losses or damage – in which case we must be notified immediately and, where possible, our consent must be obtained – or if we are delayed in rectifying the defect, shall customers have the right to rectify the defect themselves or arrange for this to be done by qualified third parties and to request that we reimburse the necessary costs.

3. Provided that the complaint proves to be justified, we will bear any costs arising for purposes of inspection and subsequent performance following a notification of defects by the customer; otherwise, those costs shall be borne by the customer.

4. We will bear or reimburse the necessary costs incurred for purposes of inspection and subsequent performance – in particular costs of transport, infrastructure, labour and materials as well as disassembly and installation costs, if applicable – in accordance with statutory provisions in the event that there is an actual defect. Otherwise we are entitled to require the customer to reimburse us for costs incurred due to the unjustified request to remedy a defect (in particular inspection and transport costs) unless the customer was aware of the lack of a defect or could have detected this.

5. All electrical installations and connection work that involves our products may only be carried out by skilled electrical contractors. In the event that the installation is not carried out professionally, we do not accept any functional warranty claims, any other warranty claims and any damages claims.

6. Even in the event of defects, claims of the customer for damages or compensation for expenses incurred in vain only exist in accordance with clause IX. and, apart from that, are excluded.

7. Claims and rights of customers for defects become statute-barred after 2 years.

IX. Liability for the breach of other obligations

1. We are liable for any loss or damage that we, a legal representative or a person employed in performing a contractual obligation

for whom we are vicariously liable (Erfüllungsgehilfe) have caused due to intentional or grossly negligent breaches of duty.

2. In the event of ordinary negligence and subject to a more lenient standard of liability pursuant to statutory provisions (e.g. for the duty of care observed in our own affairs), we are only liable:

a) for loss or damage suffered due to injury to life, physical injury or health,

b) for loss or damage arising from a considerable breach of a fundamental contractual obligation (an obligation whose fulfilment is crucial for the proper performance of the contract and on the fulfilment of which the contracting party regularly relies and may duly rely); in this case our liability is, however, limited to compensation for the foreseeable loss or damage which typically occurs.

3. The restrictions of liability arising from clause IX.2 also apply in the event of breaches of duty by or for the benefit of persons for whose fault we are responsible in accordance with statutory provisions. The restrictions of liability do not apply if we have fraudulently concealed a defect or if we have provided an express warranty regarding the quality of the delivery items and for claims of the customer under the German Product Liability Act (Produkthaftungsgesetz).

Any liability beyond the above is excluded.

X. Liability for defects in the processing of parts that have been sent in

We do not accept such liability if these defects arise from the properties of the material. If parts that have been sent in become unusable during processing due to faults in the material or other defects of the parts, we are entitled to charge for the processing costs we have incurred. If the work pieces become unusable due to circumstances for which we are responsible, we will process similar replacement pieces to the following extent:

a) In the event of individual orders, the customer shall provide a replacement piece free of charge and freight prepaid or we will deliver quantities that have been reduced accordingly.

b) In the event of series orders we will provide compensation if the reject rate exceeds 5% of the quantities supplied; compensation will be paid for the costs incurred by the customer for raw materials and wages, but no more than 5 times the processing value for the workpiece to be replaced. At our discretion, we may also produce or procure similar replacement pieces ourselves. The customer does not have any claims beyond these, regardless of the legal basis.

XI. Rights of the customer to withdrawal in the event of an impossibility of performance

1. The customer may withdraw from the contract if it becomes finally impossible for us to perform the contract in full prior to the passing of risk. The customer may also withdraw from the contract if, when ordering similar goods, the fulfilment of part of the delivery becomes impossible in terms of quantity and the customer has a legitimate interest in refusing a part delivery; if this is not the case, the customer may reduce the consideration accordingly.

2. If impossibility of performance occurs while the customer is in default of acceptance or is responsible for such impossibility, the customer shall remain obliged to pay the consideration.

3. If we fail to comply with an agreed delivery time, customers shall set a reasonable grace period for performance and if the grace period is not met, then the customer is entitled to withdraw from the contract.

XII. Right of the supplier to withdrawal

1. In the case of unforeseen events within the meaning of clause III. – Provided that they significantly change the economic importance or the content of the goods or services owed or have a significant effect on our business – as well as in the case of an impossibility of performance which becomes apparent subsequently, the contract shall be reasonably adjusted. Insofar as this is not economically justifiable, we have the right to withdraw from the contract in whole or in part.

2. The customer does not have any damages claims because of such withdrawal. Should we wish to avail ourselves of this right of withdrawal in our capacity as suppliers, we will immediately inform the customer as soon as we realise the implications of the event, even if an extension of the delivery period was initially agreed with the customer.

XIII. Place of jurisdiction

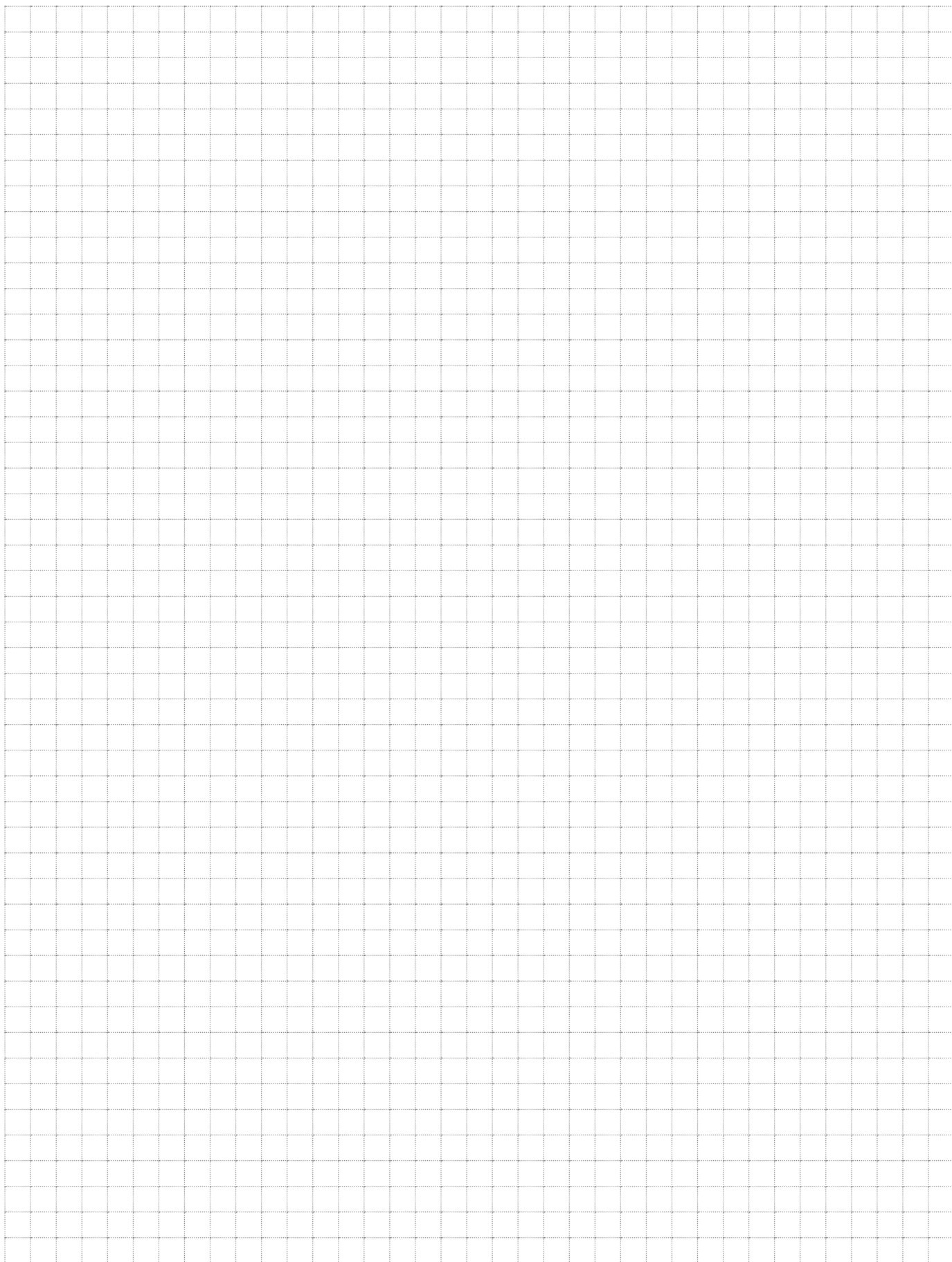
1. If the customer is a merchant, a legal person under public law or a special fund under public law, the place of jurisdiction for all disputes arising from the contractual relationship shall be Gießen, Germany. We shall also be entitled to bring legal actions at the customer's headquarters.

2. Unless otherwise indicated in the order confirmation, our registered office shall be the place of performance.

3. German law shall apply.

Effective date 07/2020
CONTI Sanitärarmaturen GmbH

Notes



Dependable & innovative

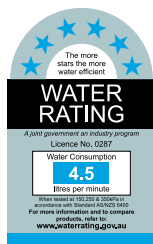
Hygienic, smart shower room and washroom concepts to improve quality of life have been the hallmark of the CONTI+ brand for 50 years.

With our innovative technologies, broad product portfolio and comprehensive range of services, we offer optimum solutions to meet all our customers' needs for new build and refurbishment projects. Impressive, flexible all-round expertise.

From advanced electronic and mechanical shower systems, washbasin faucets and urinal controls through to washbasins, as well as complete washroom equipment and water management systems, we take an integrated approach to all products and system solutions, with a strong focus on sustainability, hygiene and reliability. As a result, the CONTI+ brand is respected among design engineers and architects as a professional partner.

CONTI Sanitärarmaturen GmbH
 Hauptstrasse 98
 35435 Wettenberg | Germany
 Phone +49 641 98221 0
 Fax +49 641 98221 50
 info@conti.plus
 www.conti.plus

Member of Fortuna Group 



Certificates are product related and not valid in general